

Top Assembly

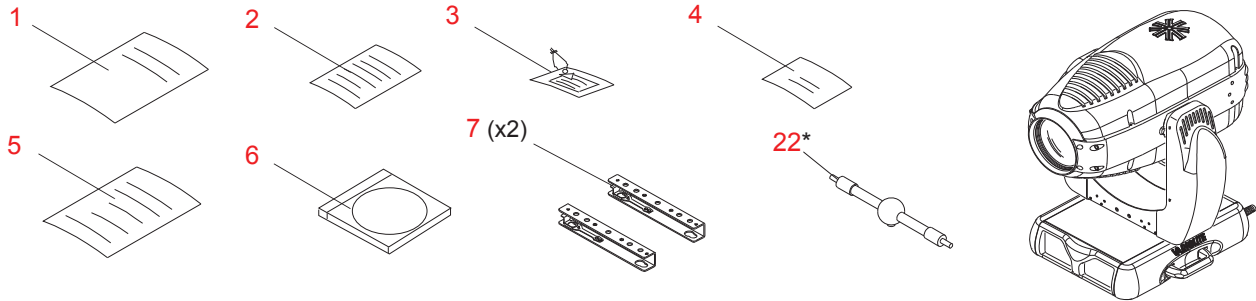
Included Items Kit, Spot

28.9678.0001 Rev H

Refer to [Figure 3-9](#).

No.	Item	Qty.	UM.	Description
1	02.8001.0001	1	EA	PRODUCT SUPPORT SHEET, VARI-LITE CUSTOMER SERVICE
2	02.8052.0001	1	EA	CARD, LIMITED WARRANTY
3	02.8406.0001	1	EA	TAG, LAMP NOTICE
4	02.8700.0001	1	EA	CARD, PRODUCT REGISTRATION
5	02.9678.0002	1	EA	UNPACK/QUICK START SHEET, VL3000
-	04.4037.0001	5	EA	LABEL, 2.5 X .5 BARCODE (not shown)
-	07.9678.0036	1	EA	CARDBOARD SHIPPING BOX, VL3000 (not shown)
6	08.3000.0001	1	EA	CD-ROM, VL3000 PRODUCT DOCUMENTATION, USER
7	22.9661.1636	2	EA	FAB ASSY, BRACKET TRUSS HOOK
8	41.6030.4211	1	EA	GOBO ASSY, UNEVEN BARS (POS 2-4)
9	41.6030.5011	1	EA	GOBO ASSY, NIGHT SKY (POS 1-3)
10	41.6030.5503	1	EA	GOBO ASSY, PALM LEAVES (POS 2-2)
11	41.6030.5523	1	EA	GOBO ASSY, TRIBAL BREAKUP (POS 1-4)
12	41.6030.6011	1	EA	GOBO ASSY, CIRCLE OF OVALS (POS 3-5)
13	41.6030.7002	1	EA	GOBO ASSY, PEBBLES (POS 1-5)
14	41.6030.7014	1	EA	GOBO ASSY, TRIANGLE BREAKUP (POS 3-4)
15	41.6030.7018	1	EA	GOBO ASSY, SHOCK BREAKUP (POS 2-3)
16	41.6030.7029	1	EA	GOBO ASSY, ALPHA RAYS (POS 1-2)
17	41.6030.8003	1	EA	GAG ASSY, 3-FACET PRISM (POS 3-2)
18	41.6030.8503	1	EA	GAG ASSY, GLACIER (POS 1-6)
19	41.6030.8506	1	EA	GAG ASSY, DROPLETS (POS 2-6)
20	41.6030.8509	1	EA	GAG ASSY, ICE BLOCKS (POS 2-5)
21	41.6030.8801	1	EA	GOBO ASSY, MULTI-COLOR CIRCLES (POS 3-3)
22	71.2557.1200	1	EA	LAMP, 1200 WATT SHORT ARC, DOUBLE-ENDED

Included Items Kit, Spot (continued)



<p>16</p> <p>Alpha Rays</p>	<p>9</p> <p>Night Sky</p>	<p>11</p> <p>Tribal Break-Up</p>	<p>13</p> <p>Pebbles</p>	<p>18</p> <p>Glacier Gag</p>
<p>10</p> <p>Palm Leaves</p>	<p>15</p> <p>Shock Break-Up</p>	<p>8</p> <p>Uneven Bars</p>	<p>20</p> <p>Ice Blocks Gag</p>	<p>19</p> <p>Droplets Gag</p>
<p>17</p> <p>3-Facet Prism</p>	<p>12</p> <p>Circle of Ovals</p>	<p>14</p> <p>Triangle Break-Up</p>	<p>21</p> <p>Multi-Colored Gobo</p>	

Figure 3-9: Included Items Kit, Spot

Note: * = Do not handle lamp with bare hands. When handling, it is best to wear clean cotton gloves in order to keep the lamp's glass as dirt and grease free as possible.

Included Items Kit, Wash

28.9678.0002 Rev F

Refer to [Figure 3-10](#).

No.	Item	Qty.	UM.	Description
1	02.8001.0001	1	EA	PRODUCT SUPPORT SHEET, VARI-LITE CUSTOMER SERVICE
2	02.8052.0001	1	EA	CARD, LIMITED WARRANTY
3	02.8700.0001	1	EA	CARD, PRODUCT REGISTRATION
4	02.9678.0002	1	EA	UNPACK/QUICK START SHEET, VL3000
-	04.4037.0001	5	EA	LABEL, 2.5 X .5 BARCODE (not shown)
-	07.9678.0036	1	EA	CARDBOARD SHIPPING BOX, VL3000 (not shown)
5	08.3000.0001	1	EA	CD-ROM, VL3000 PRODUCT DOCUMENTATION, USER
6	22.9661.1636	2	EA	FAB ASSY, BRACKET TRUSS HOOK
7	71.2557.1200	1	EA	LAMP, 1200 WATT SHORT ARC, DOUBLE-ENDED

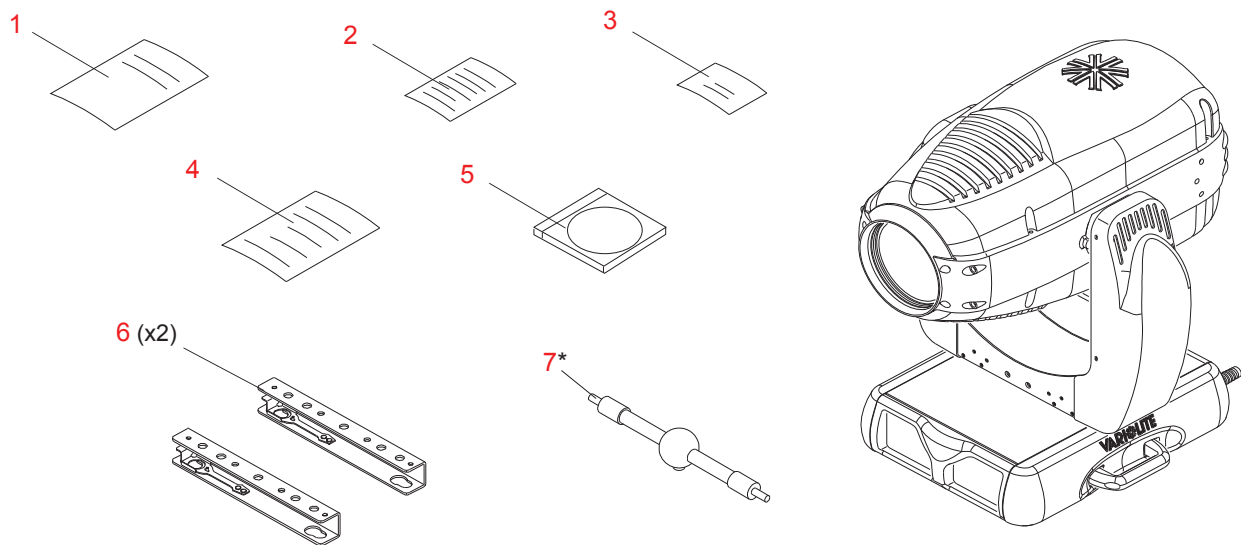


Figure 3-10: Included Items Kit, Wash

Note: * = Do not handle lamp with bare hands. When handling, it is best to wear clean cotton gloves in order to keep the lamp's glass as dirt and grease free as possible.

VL3000 and VL3000Q Spot Luminaire

20.9678.0001 Rev P

20.9678.0003 Rev E

Refer to [Figure 3-11](#)

No.	Item	Qty.	UM.	Description
-	02.8405.0001	1	EA	AC DANGER TAG, VL3000 (not shown)
-	04.9661.0033.01	1	EA	LABEL, WARNING - 2000 SERIES (not shown)
-	04.9661.0039	1	EA	LABEL, LINE CORD WARNING (not shown)
-	04.9678.0041.01	1	EA	LABEL, AC INPUT RATING VL3000 (not shown)
-	04.9678.0061	1	EA	LABEL, AC INPUT RATING VL3000Q (not shown)
-	10.9678.0609	1	EA	FRONT FILTER, FOAM, ZOOM (not shown)
1	10.9661.0617	1	EA	YOKE CROSSMEMBER, HEAT SHIELD
2	10.9686.0732	2	EA	COVER, YOKE THERMOFORM
3	10.9678.0670	1	EA	INTERCONNECT PCB MOUNT, CYM
4	10.9678.0671	1	EA	INTERCONNECT PCB MOUNT, RG
5	10.9678.0658	10	EA	PLATE, COUNTERWEIGHT
6	21.9678.0010.01	1	EA	ASSY, GENERIC LUMINAIRE
7	21.9678.0200	1	EA	ASSY, SPOT GOBO
8	21.9678.8640.01	1	EA	ASSY, HOT BOX, SPOT
	21.9678.8698.01	1	EA	ASSY, HOT BOX, QUIET SPOT
9	21.9678.0660.01	1	EA	ASSY, FAN, TRAY DUCT
	21.9678.0659.01	1	EA	ASSY, FAN TRAY DUCT, QUIET SPOT
10	21.9678.0678.01	1	EA	ASSY, TRANSFER FAN
11	21.9678.8611	2	EA	ASSY, HEAD COVER
12	22.9678.0103	1	EA	ASSY, SPOT OPTIC
13	22.9678.0402	1	EA	ASSY, CLR/DIM/STROB
	22.9678.0462	1	EA	ASSY, CLR/DIM/STROB, QUIET SPOT
14	22.9678.0149	4	EA	ASSY, ROD CLAMP
15	22.9678.0693	2	EA	ASSY, GOBO CLAMP
16	22.9678.0694	2	EA	ASSY, COLOR CLAMP
17	22.9678.1126	1	EA	ASSY, LEAD SCREW EDGE
18	24.9678.3730	1	EA	PCB ASSY, VL3000 CONTROLLER
-	25.9678.0675	1	EA	CABLE ASSY, RELAY TO GOBO INTERLOCK SWITCH (not shown)
-	25.9678.0689	1	EA	CABLE ASSY, YOKE TO HEAD GND (not shown)
-	25.9678.0677	1	EA	CABLE ASSY, FRONT HEAD FANS (not shown)

VARILITE*® - VL3000™ SERIES LUMINAIRE SERVICE MANUAL**

No.	Item	Qty.	UM.	Description
-	25.9678.0715	1	EA	CABLE ASSY, HEAD CONTROLLER (not shown)
-	28.9678.0001	1	EA	INCLUDED ITEMS KIT, VL3000 SPOT (not shown)
19	53.2001.0003	4	EA	NUT, 10-32 NYLON INSERT
20	53.2002.0003	4	EA	NUT, 6-32 HEX ZINC NYLON IN
21	53.6543.0001	8	EA	SCREW, 6-32 X 3/8" PPB
22	53.6558.0009	8	EA	SCREW, 6-32 X 3/8"LG PPZ SEMS® *
23	53.6616.0001	4	EA	SCREW, 6-32 X 3/4" PPZ SEMS
24	53.6579.0001	4	EA	SCREW, 10-32 X 1/2" SCB
25	53.6613.0001	2	EA	SCREW, 6-32 X 1/2" PPZ
26	53.6614.0003	4	EA	SCREW, 6-32 X 5/8" PFZ
27	55.2284.0001	2	EA	CARD GUIDE, 3" LONG SNAP IN
28	55.6506.0024	2	EA	SPACER, 3/16"RND .1875"LG .141 THRU SS
29	55.6528.0001	2	EA	WASHER, #6 FLAT ZINC
30	55.6573.0001	2	EA	HARDENED SHAFT, 10MM DIA X 200MM HARDENED
31	55.6616.0001	4	EA	STANDOFF, 3/8 "HEX 6-32 THRD
32	55.2150.0002	2	EA	STANDOFF, 1/4 " HEX 6-32 1.188"LG MF STL (changed 05-27-03)
33	55.6677.0033	4	EA	WASHER, .201" OD .125" ID .032" THK FLAT SS
34	53.6558.0007	4	EA	SCREW, 6-32 X 1/4"LG PPZ SEMS EXT ZINC PLT (added 07-07-03)
-	55.6699.0003	.830	FT	SLEEVING, 1/2"NOM.DIA. POLY (not shown)
-	55.6699.0004	1.16	FT	SLEEVING, 3/4"NOM.DIA. POLY (not shown)
35	53.2202.0008	1	EA	NUT, 8-32 HEX SS NYLON INSERT (added 05-24-04)

* SEMS® is a registered trademark of Illinois Tool Works (ITW)

VL3000 Spot Luminaire (continued)

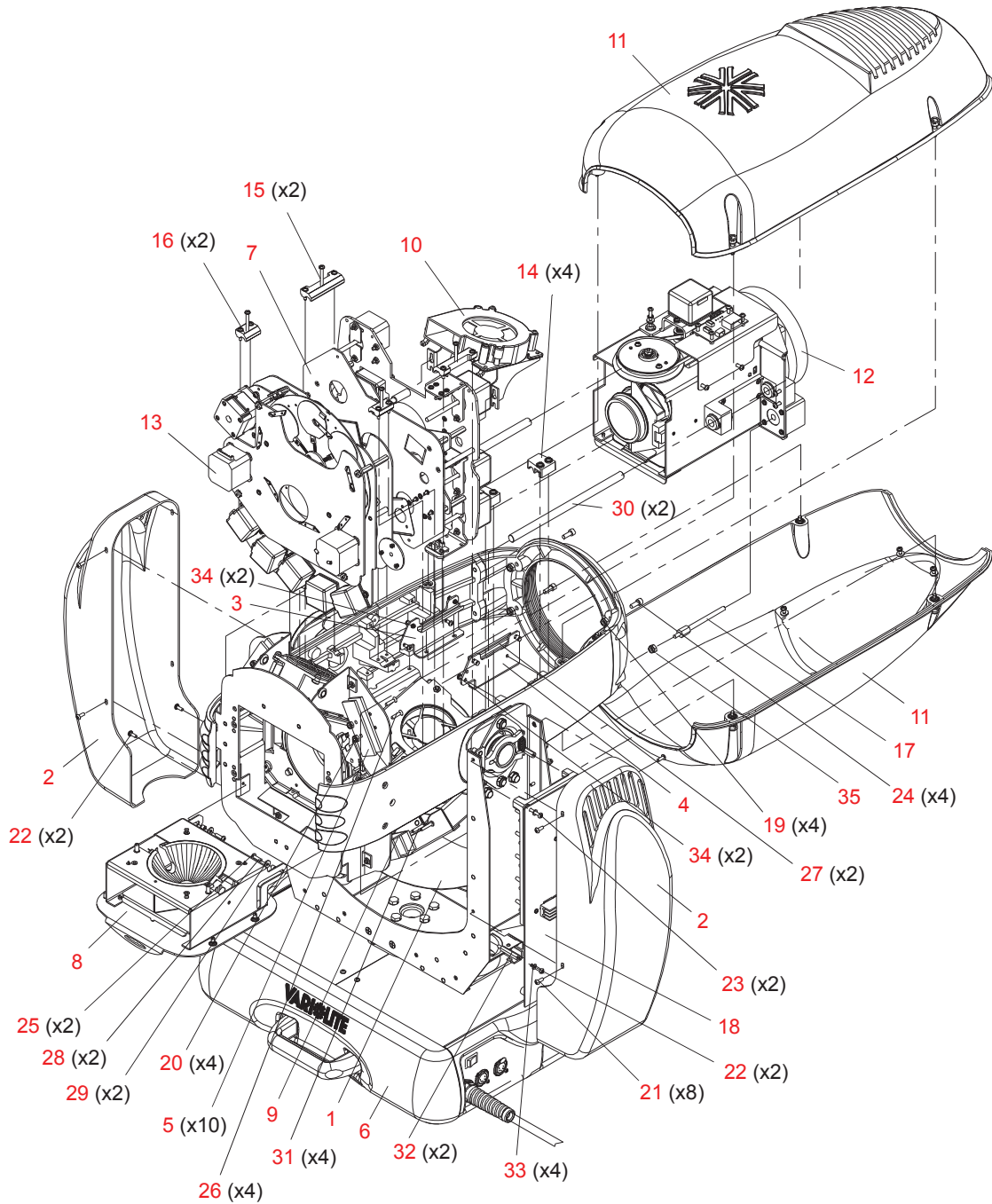


Figure 3-11: VL3000 and VL3000Q Spot Luminaire

VL3000 and VL3000Q Wash Luminaire

20.9678.0002 Rev M

20.9678.0004 Rev F

Refer to [Figure 3-12](#)

No.	Item	Qty.	UM.	Description
-	02.8405.0001	1	EA	AC DANGER TAG, VL3000 (not shown)
-	04.9661.0033.01	1	EA	LABEL, WARNING - 2000 SERIES (not shown)
-	04.9661.0039	1	EA	LABEL, LINE CORD WARNING (not shown)
-	04.9678.0041.01	1	EA	LABEL, AC INPUT RATING VL3000 (not shown)
-	04.9678.0061	1	EA	LABEL, AC INPUT RATING VL3000Q (not shown)
1	10.9661.0617	1	EA	YOKE CROSSMEMBER, HEAT SHIELD
2	10.9678.0670	1	EA	INTERCONNECT PCB MOUNT, CYM
3	10.9678.0732	2	EA	COVER, YOKE THERMOFORM
4	21.9678.0010.01	1	EA	ASSY, GENERIC LUMINAIRE (changed 05-24-04)
5	21.9678.0611	2	EA	ASSY, HEAD COVER
	21.9678.8611	2	EA	ASSY, HEAD COVER, VL3000Q WASH
6	21.9678.8640.02	1	EA	ASSY, WASH HOT BOX
	21.9678.8698.02	1	EA	ASSY, HOT BOX, VL3000Q WASH
7	21.9678.0660.01	1	EA	ASSY, FAN, TRAY/DUCT (changed 03-01-05)
	21.9678.0659.01	1	EA	ASSY, FAN, TRAY/DUCT, VL3000Q WASH
8	21.9678.0678.02	1	EA	ASSY, TRANSFER FAN (changed 11-11-03)
9	21.9678.0910	1	EA	ASSY, BEAM SPREADER
10	21.9678.0991	2	EA	ASSY, LIGHT BAFFLE BEAM SPREAD
11	21.9678.0950	1	EA	ASSY, APERATURE BULKHEAD
12	22.9678.0149	2	EA	ASSY, ROD CLAMP
13	22.9678.0402	1	EA	ASSY, CLR/DIM/STROB
	22.9678.0462	1	EA	ASSY, CLR/DIM/STROB, VL3000Q WASH
14	22.9678.0693	2	EA	ASSY, GOBO CLAMP
15	22.9678.0694	2	EA	ASSY, COLOR CLAMP
16	24.9678.3730	1	EA	PCB ASSY, VL3000 CONTROLLER
-	25.9678.0675	1	EA	CABLE ASSY, RELAY TO GOBO FAN (not shown)
-	25.9678.0677	1	EA	CABLE ASSY, FRONT HEAD FANS (not shown)
-	25.9678.0689	1	EA	CABLE ASSY, YOKE TO HEAD GND (not shown)
-	25.9678.0715	1	EA	CABLE ASSY, HEAD CONTROL (not shown)
-	28.9678.0002	1	EA	INCLUDED ITEMS KIT, VL3000 WASH (not shown)

No.	Item	Qty.	UM.	Description
17	53.6543.0001	8	EA	SCREW, 6-32 X 3/8" PPB
18	53.6558.0009	11	EA	SCREW, 6-32 X 3/8" LG PPZ SEMS
19	53.6558.0016	2	EA	SCREW, 6-32 X 3/4" PPZ SEMS
20	53.6579.0001	4	EA	SCREW, 10-32 X 1/2" SCB
21	53.6613.0001	2	EA	SCREW, 6-32 X 1/2" PPZ
22	53.6682.0022	8	EA	SCREW, 8-32 X 3/8" LG PPZ SEMS
23	55.2178.0001	1	EA	CABLE ANCHOR MOUNT, #8 SCREW MOUNT
24	55.2284.0001	1	EA	CARD GUIDE, 3" LONG SNAP IN
25	55.6506.0024	2	EA	SPACER, 3/16" RND .1875" LG .141" THRU SS
26	55.6528.0001	2	EA	WASHER, #6 FLAT ZINC
27	55.2150.0002	2	EA	STANDOFF, 1/4 " HEX 6-32 1.188" LG MF STL (changed 5-27-03)
28	55.6677.0033	4	EA	WASHER, .281" OD .125" ID .032" THK FLAT SS
29	53.6558.0007	2	EA	SCREW, 6-32 X 1/4" LG PPZ SEMS EXT ZINC PLT (added 7-07-03)
-	55.6699.0003	.83	FT	SLEEVING, 1/2"NOM.DIA. POLY (not shown)
-	55.6699.0004	1.16	FT	SLEEVING, 3/4"NOM.DIA. POLY (not shown)

VL3000 and VL3000Q Wash Luminaire (continued)

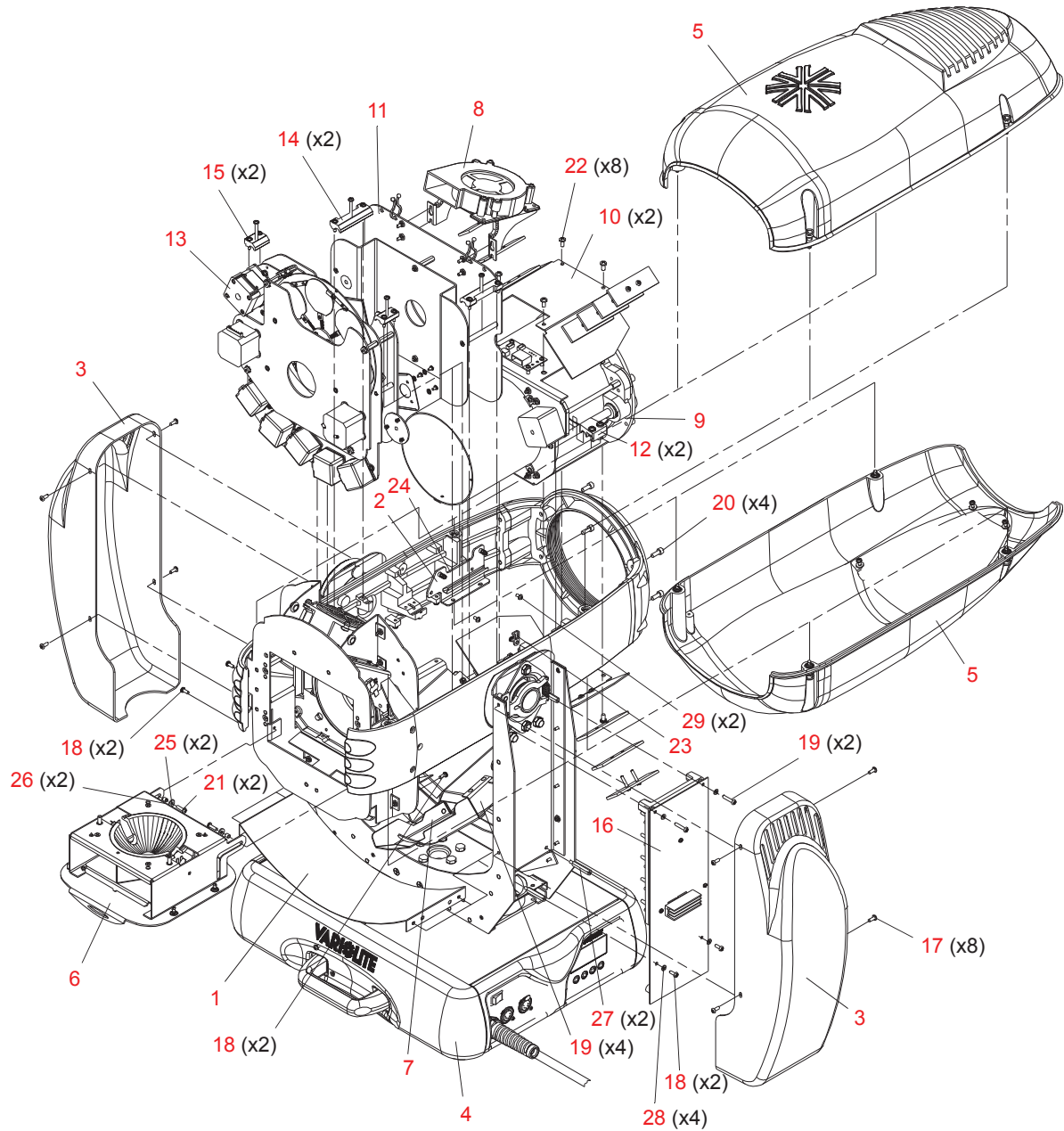


Figure 3-12: VL3000 and VL3000Q Wash Luminaire

Generic Luminaire Assemblies

21.9678.0010.01 Rev G

21.9678.0011.01 Rev C

Refer to [Figure 3-13](#)

No.	Item	Qty.	UM.	Description
1	21.9678.0600	1	EA	ASSY, HEAD STRUCTURE
	21.9678.0601	1	EA	ASSY, HEAD STRUCTURE, VL3000 QUIET
2	21.9678.0700	1	EA	ASSY, YOKE
	21.9678.0701	1	EA	ASSY, YOKE, VL3000 QUIET
3	21.9678.0707	1	EA	ASSY, TILT PULLEY
3a	- 10.9678.0750	1	EA	TIMING PULLEY, 150 TOOTH
3b	- 10.9678.0754 *	1	EA	FLAG, CENTER OF TRAVEL, TILT
3c	- 53.6530.0009	3	EA	RIVET, 1/8"OD POP .126-.187GL
4	21.9678.0767	1	EA	ASSY, STABILIZER
4a	- 10.9678.0757	1	EA	STABILIZER, 1.377DIA
4b	- 10.9678.0762	1	EA	BRACKET, STABLIZER
4c	- 53.6610.0003	1	EA	SCREW, 6-32 X 7/16" PPZ
4d	- 55.6568.0075	1	EA	SPRING, EXTSN .375"OD 1.00"LG .041" WIRE DIA
5	21.9678.0800.01	1	EA	ASSY, UPPER ENCLOSURE
6	53.2019.0004	4	EA	NUT, 3/8-16 X 7/32"THK HEX JAM GRD5 ZINC PLT
7	53.6505.0020	5	EA	BOLT, 1/4-28X 3/4"HX HD GRD 8 ZINC PLT FULL THRD
8	53.6505.0026	4	EA	BOLT, 3/8-16 X .500"LG H X HD GRADE 5 BLK 9/16"HEX HEAD X .23 TALL
9	53.6539.0001	4	EA	WASHER, 3/8" SPLIT LOCK
10	53.5564.0250	1	EA	SCREW, 6-32 X 1/4" PFB UNDERCUT (changed 04-07-06)
11	53.6624.0001	4	EA	SCREW, 10-32 X 1/2"LG PFB (changed 12-02-03)
12	53.6513.0044	3	EA	SCREW, M5 X 10MM STL CUP PT (changed 10-13-03)
13	54.1206.0014	2	EA	RING, RETAINING 1.375"SHAFT 1.291"GRV DIA .056"GRVWD EXTERNAL
14	54.1255.0001	2	EA	BEARING ASSY, BLACK FLUSH MOUNT HOUSING
15	54.2055.0001	1	EA	BELT, TIMING S2M 210GROOVE 9MMWIDE URETHANE/KEVLAR
16	55.6549.0001	5	EA	WASHER, 1/4" SPLIT LOCK
17	55.6799.0001	2	EA	SHIM, 1-3/8"ID, 1-7/8"OD, .010" THK, SS (added 7-14-03)
18	55.6799.0002	2	EA	SHIM, 1-3/8"ID, 1-7/8"OD, .005" THK, SS (added 7-14-03)

* Only used with [22.9678.0705](#) (Yoke Structure) Rev. D or later or [22.9686.0705](#). For prior versions of Yoke Structure, use Center of Travel Flag part number: [10.9678.0755](#).

Generic Luminaire Assemblies (continued)

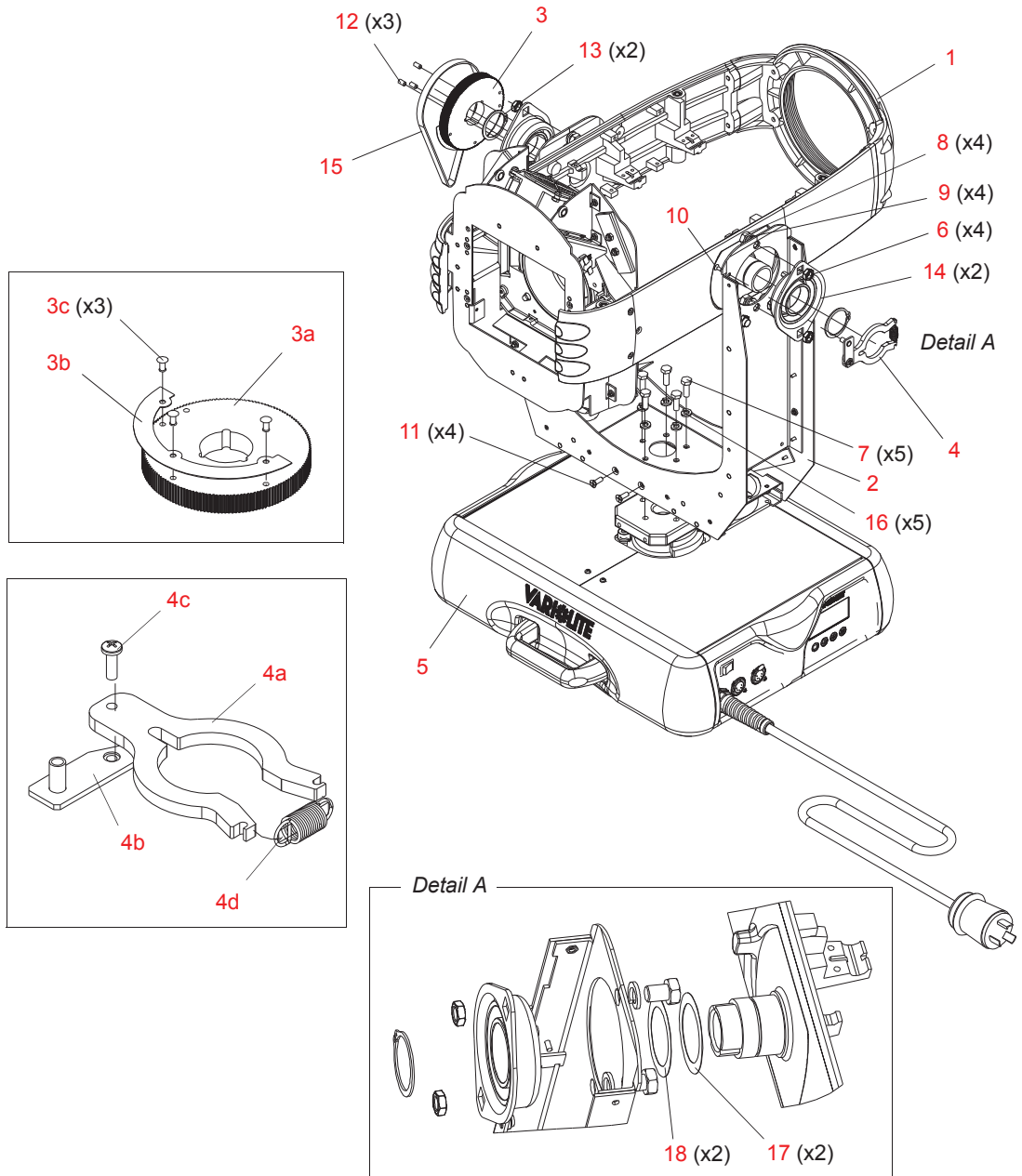


Figure 3-13: VL3000 and VL3000Q Generic Luminaire Assemblies

Head Assembly

Head Structure Assembly

21.9678.0600 Rev C

21.9678.0601 Rev A (VL3000 Quiet)

Refer to [Figure 3-1](#)

No.	Item	Qty.	UM.	Description
1	10.9678.8620	1	EA	FRONT CASTING
2	12.9678.8623	1	EA	RIGHT SIDE RAIL, MACHINED
3	12.9678.8625	1	EA	LEFT SIDE RAIL, MACHINED
4	21.9678.0615	1	EA	ASSY, BACKEND
	21.9678.0616	1	EA	ASSY, BACKEND, VL3000 QUIET
5	53.6515.0001	6	EA	SCREW, 10-32 X 3/4" SCB CAP
6	53.6515.1000	1	EA	SCREW, 10-32 X 1" SOCKET CAP BLACK
7	53.6615.1125	3	EA	SCREW, 10-32 X 1.25" SOCKET CAP BLACK

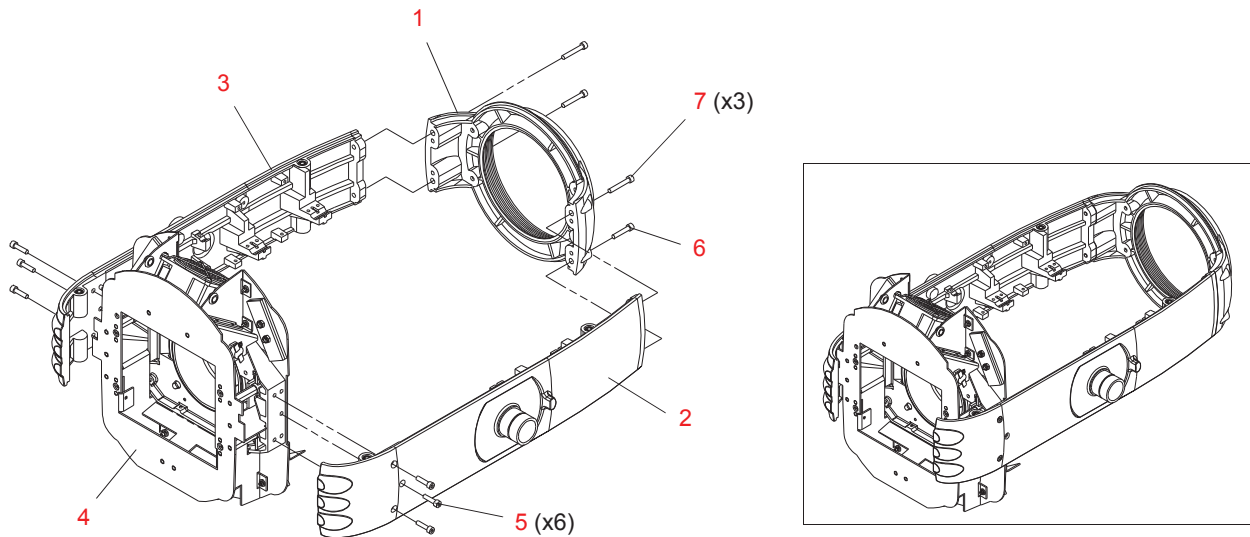


Figure 3-1: Head Structure Assembly

Head Cover Assembly

21.9678.0611 Rev K (VL3000 Quiet)

21.9678.8611 Rev 0

Refer to [Figure 3-2](#)

No.	Item	Qty.	UM.	Description
1	10.9678.0612	1	EA	HEAD COVER FOAM BAFFLE
2	10.9678.0649	4	EA	EJECTOR SPRING, BLACK OXIDE
3	10.9678.0674	1	EA	BRACKET, COVER TETHER
4	10.9678.0696	1	EA	FOAM FRAME, HEAD COVER (added 10-01-03)
5	12.9678.8610	1	EA	HEAD COVER
	12.9678.8610	1	EA	HEAD COVER, PAINTED, VL3000 QUIET (changed 9-10-03)
6	53.5655.0250	4	EA	SCREW, #6 X 1/4" PPZ PLASTIC
7	53.6558.0003	1	EA	SCREW, 6-32 X 3/8"LG PPZ PLASTIC THD ROLL
8	55.2233.0016	4	EA	RETAINER, SPLIT RING (changed 04-19-05)
9	55.2233.0775	4	EA	STUD, 1/4 TURN OPR.775L STEEL BLK ZINC (changed 5-21-03)
10	55.9676.0255	4	EA	WASHER, BEVELED SPRING (added 05-15-05)

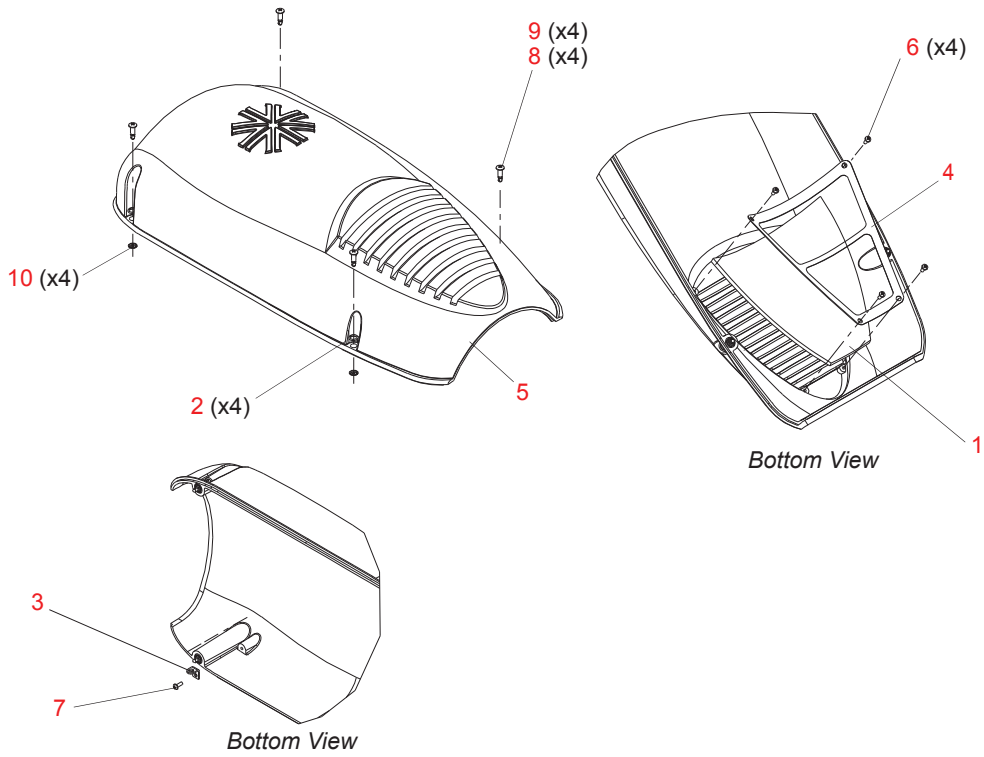


Figure 3-2: Head Cover Assembly

Backend Assembly

21.9678.0615 Rev S

21.9678.0616 Rev G (VL3000 Quiet)

Refer to [Figure 3-3](#)

No.	Item	Qty.	UM.	Description
1	10.9678.0631	1	EA	SEPARATION BULKHEAD
2	10.9678.0635	1	EA	EXHAUST BULKHEAD
3	10.9678.0637	2	EA	CLIP, RETRO-REFLECTOR
4	10.9678.0638	1	EA	AIR DIVERTER, STROBE MOTOR
5	10.9678.0653	1	EA	LIGHT BAFFLE, EXHAUST
6	12.9678.7152	1	EA	REFLECTOR, RETRO SPHERICAL COATED
7	12.9678.0627	1	EA	AFT BULKHEAD, MACHINED
8	21.9678.0619	1	EA	FAN ASSY, 80MM
9	21.9678.0673	2	EA	TETHER ASSY, COVER
10	22.9678.3655	1	EA	DUCT ASSY, 80MM FAN
11	22.9678.0639	1	EA	UV FILTER BULKHEAD ASSY
	22.9678.0617	1	EA	UV FILTER BULKHEAD ASSY, VL3000 QUIET
-	25.9678.0012	1	EA	CABLE ASSY, AC FAN YOKE TO FAN (not shown)
-	25.9678.0014	1	EA	CABLE ASSY, BACKCAP INTERLOK TO GOBO INTERLOK (not shown)
12	53.2004.0002	6	EA	NUT, 8-32 KEPS ZINC PLATE
13	53.6519.0001	2	EA	SCREW, 4-40 X 5/8" PPZ
14	53.6545.0009	4	EA	SCREW, 8-32 X 1.375"LG PFZ
15	53.6523.0001	1	EA	SCREW, 6-32 X 3/8" SCB (changed 7-18-03)
16	53.6558.0007	6	EA	SCREW, 6-32 X 1/4" PPZ SEMS
17	53.6559.0001	4	EA	SCREW, 4-40 X 1/4" PFZ
18	53.6609.0001	6	EA	SCREW, 6-32 X 3/8" PFZ
19	53.6613.0001	1	EA	SCREW, 6-32 X 1/2" PPZ
20	53.6614.0003	2	EA	SCREW, 6-32 X 5/8" PFZ
21	53.6616.0001	2	EA	SCREW, 6-32 X 3/4" PPZ
	- 55.6538.0001	2	EA	WASHER, #4 LOCK EXTERNAL TOOTH
22	53.6682.0002	2	EA	SCREW, 4-40 X 1/4"LG PPZ SEMS
23	55.2125.0003	4	EA	STANDOFF, 3/8"HEX 8-32 1.500"L
24	55.6538.0004	7	EA	WASHER, .750" OD, .312" ID, .125" THK, FLAT, TEFLON
25	55.6541.0008	1	EA	GROMMET, 1/2"ID 7/8"OD 3/4"GRV
26	55.6706.0001	4	EA	GROMMET, 9/32"ID 9/16"OD 1/4T
27	74.1099.0001	1	EA	SWITCH, MINIATURE, 5 AMP 150DEG C, NORM OPEN

No.	Item	Qty.	UM.	Description
28	53.6613.0004	3	EA	SCREW, 6-32 X 1/2" SCZ (added 07-18-03)
29	10.9678.1645	1	EA	FAN SHIELD, LAMP COOLING (added 12-09-04)
30	25.9678.0691	1	EA	CABLE ASSY, AIR DUCT OT SWITCH (cable not shown)
	25.9678.0690	1	EA	CABLE ASSY, AIR DUCT OT SWITCH, VL3000 QUIET (cable not shown)
31	10.9678.0680	1	EA	INSULATOR, TEFLON, TO-220
32	53.2200.0004	1	EA	NUT, 4-40 KEPS

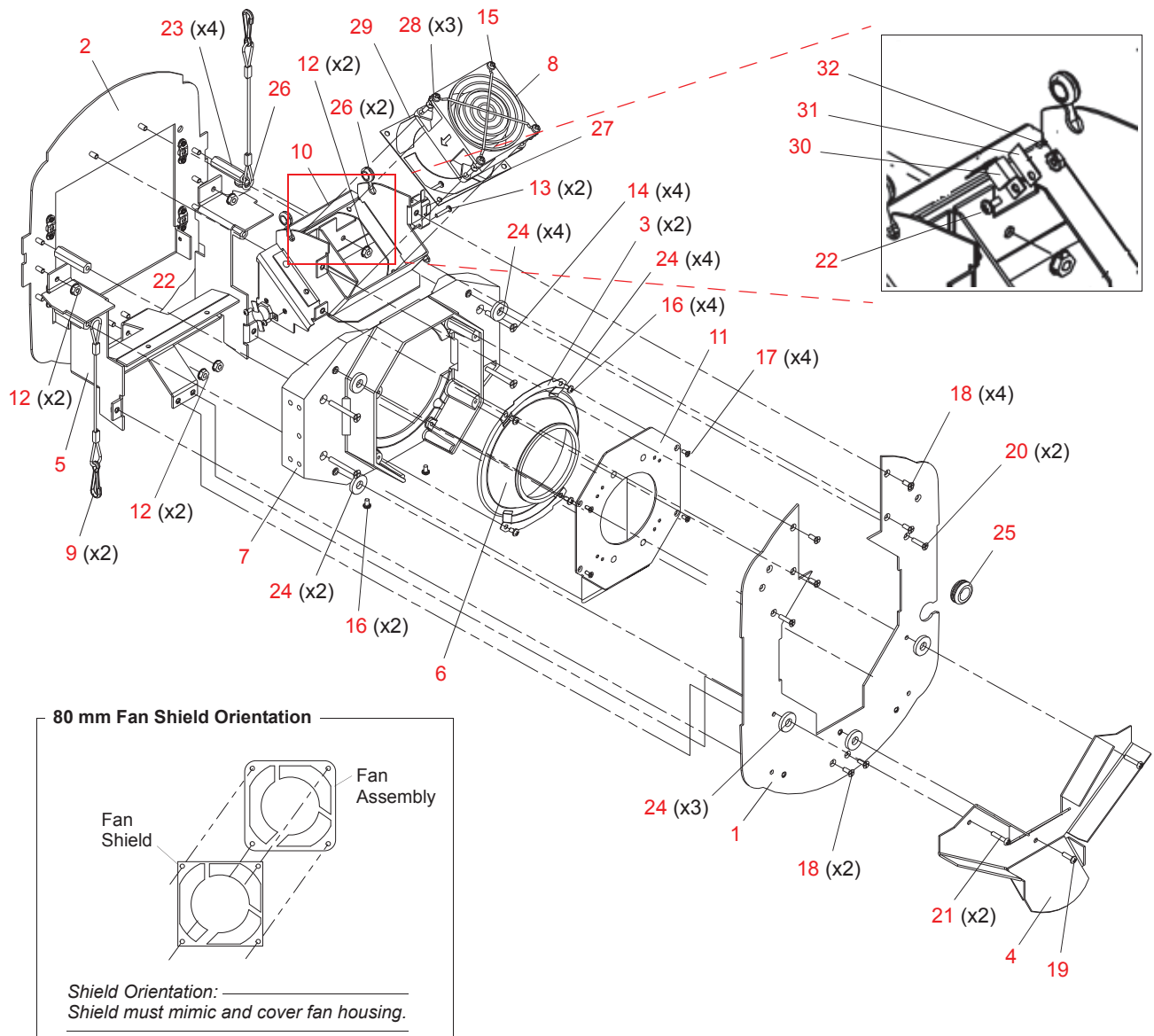


Figure 3-3: Backend Assembly

80mm Fan Assembly

21.9678.0619 Rev B

Refer to [Figure 3-4](#)

No.	Item	Qty.	UM.	Description
1	40.7145.0004	1	EA	FAN, TUBEAXIAL 80 X 80 X 38mm 28 CFM 230V (added 03/11/04)
2	53.2200.0006	4	EA	NUT, 6-32 KEPS SS
3	53.6558.0001	4	EA	SCREW, 6-32 X 3/8" PPZ
4	55.7016.0001	1	EA	FAN GUARD, 80MM NICKEL PLATED STEEL WIRE

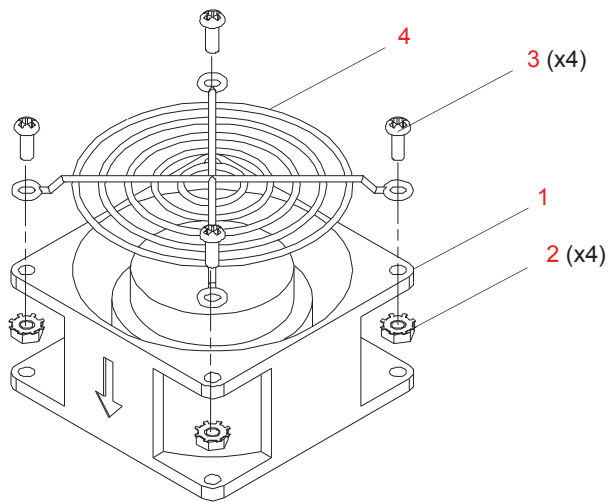


Figure 3-4: 80mm Fan Assembly

UV Filter Bulkhead Assembly

22.9678.0639 Rev C

22.9678.0617 Rev A (VL3000 Quiet)

Refer to [Figure 3-5](#)

No.	Item	Qty.	UM.	Description
1	10.9678.0634	1	EA	UV FILTER BULKHEAD
2	10.9678.0648	2	EA	CLIP, UV GLASS
3	41.9678.0608	1	EA	UV/IR FILTER, 3.00" X 3.00" (added 01-08-04)
4	53.6530.0002	4	EA	RIVET, 1/8 OD POP,.063-.125 GRIP, ALUM

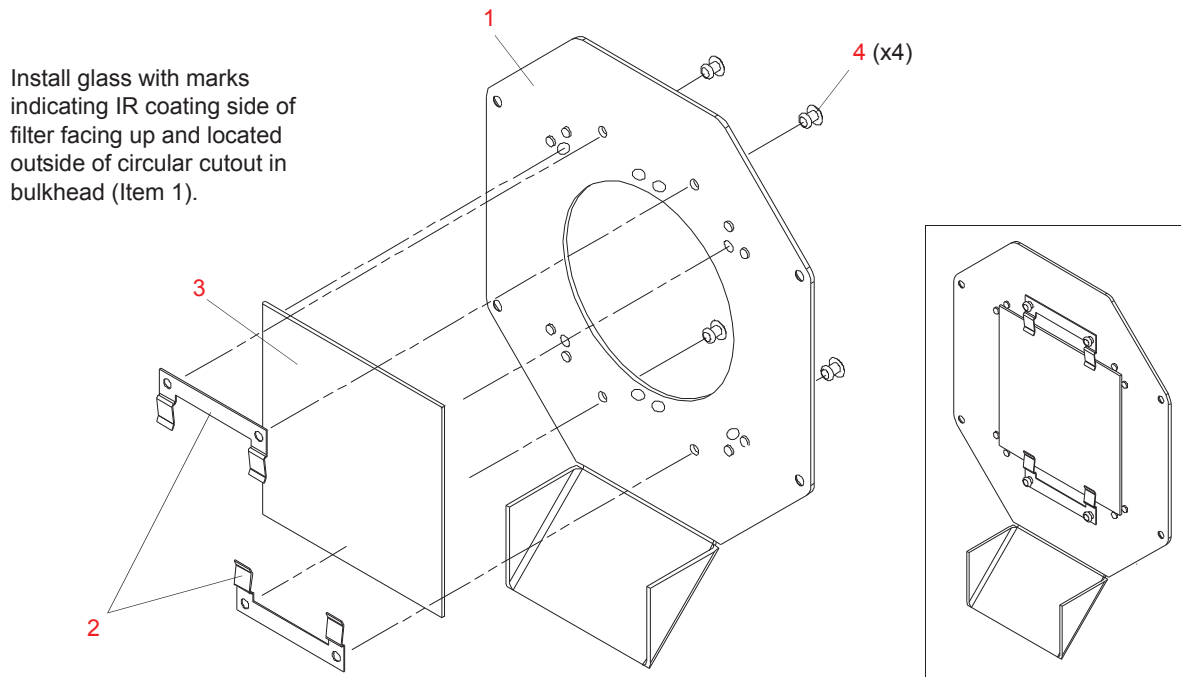


Figure 3-5: UV Filter Bulkhead Assembly

Notes

Spot Gobo Assembly

21.9678.0200 Rev H (Spot Only)

Refer to [Figure 3-6](#)

No.	Item	Qty.	UM.	Description
1	10.9678.0215	1	EA	BULKHEAD, GOBO MODULE FRONT
2	10.9678.0216	1	EA	BULKHEAD, GOBO MODULE REAR
3	10.9678.0225	4	EA	SHAFT, GOBO WHEEL
4	10.9678.0231	3	EA	PULLEY, MOTOR GOBO WHEEL DRIVE
5	10.9678.0232	3	EA	PULLEY, INSEX DRIVE 64 GROOVE
6	10.9678.0244	2	EA	MOUNT, INDEX SENSOR LONG
7	10.9678.0245	1	EA	MOUNT, INDEX SENSOR SHORT
8	10.9678.0246	3	EA	ADJUST PLATE, MOTOR
9	10.9678.0277	1	EA	SPACER, WHEEL/IRIS
10	21.9678.0210	2	EA	ASSY, ROTATING GOBO WHEEL
11	21.9678.0211	1	EA	ASSY, ROTATING EFFECTS WHEEL
12	21.9678.0243	2	EA	ASSY, MOTOR LONG SHAFT
13	21.9678.0270	1	EA	SUB-ASSY, IRIS
14	24.9663.3231	4	EA	PCB ASSY, INDEX SENSOR
15	24.9678.3240	3	EA	PCB ASSY, WHEEL POSITION SENSOR (changed 02-11-05)
-	25.9678.2209	1	EA	PCB/CABLE ASSY, GOBO INTERCONN (changed 06-28-06) (Not Shown)
16	44.9663.1202	2	EA	MOTOR, 17 2.42" SHAFT 11.8MH
17	44.9663.1766	2	EA	MOTOR, 17 1.24" SHAFT 11.8MH 5
18	53.5560.0187	12	EA	SCREW, 8-32 X .187 " SET CONE (changed 06-21-05)
19	53.6520.0375	8	EA	SCREW, 4-40 X 3/8" PPZ SEMS
20	53.6558.0009	4	EA	SCREW, 6-32 X 3/8" PPZ SEMS
21	53.5638.0252	8	EA	SCREW, 6-32 X 3/8" PFZ UNDERCUT HD
22	53.6613.0001	16	EA	SCREW, 6-32 X 1/2" PPZ
23	54.2057.0001	3	EA	BELT, TIMING MXL .080"PITCH 14
24	54.2058.0001	3	EA	BELT, TIMING MXL .080"PITCH 16
25	55.2150.0002	4	EA	STANDOFF, 1/4"HEX 6-32 1.187"L
26	55.2150.0003	4	EA	STANDOFF, 1/4"HEX 6-32 1.125"L
27	55.2178.0001	4	EA	CABLE ANCHOR MOUNT, #8 SCREW
28	53.6682.0002	6	EA	SCREW, 4-40 X 1/4" PPZ SEMS
29	55.6506.0025	1	EA	SPACER, 3/8"RND 1/8"LG .257" ID
30	55.6506.0026	1	EA	SPACER, 3/8"RND 31/32"LG .257" ID

No.	Item	Qty.	UM.	Description
31	53.6609.0001	4	EA	SCREW, 6-32 X 3/8" PFZ
32	55.6506.0030	1	EA	SPACER, 3/8" RND 3/8" LG .257" ID THRU ALUM
33	55.2110.0002	1	EA	WASHER, .400" OD .260 ID .010" THK FLAT SS (added 4-29-03)
34	10.9678.0457.02	2	EA	SPACER, RND, 3/8" OD, .257 ID, .190 LG, AL (added 4-29-03)
35	55.6520.0001	2	EA	WASHER WAVE SPRING .265" ID .367" OD .006" THK (added 4-29-03)
36	10.9678.0457.04	1	EA	SPACER, RND, 3/8"OD, .257 ID, .031 LG, AL (added 6-09-03)

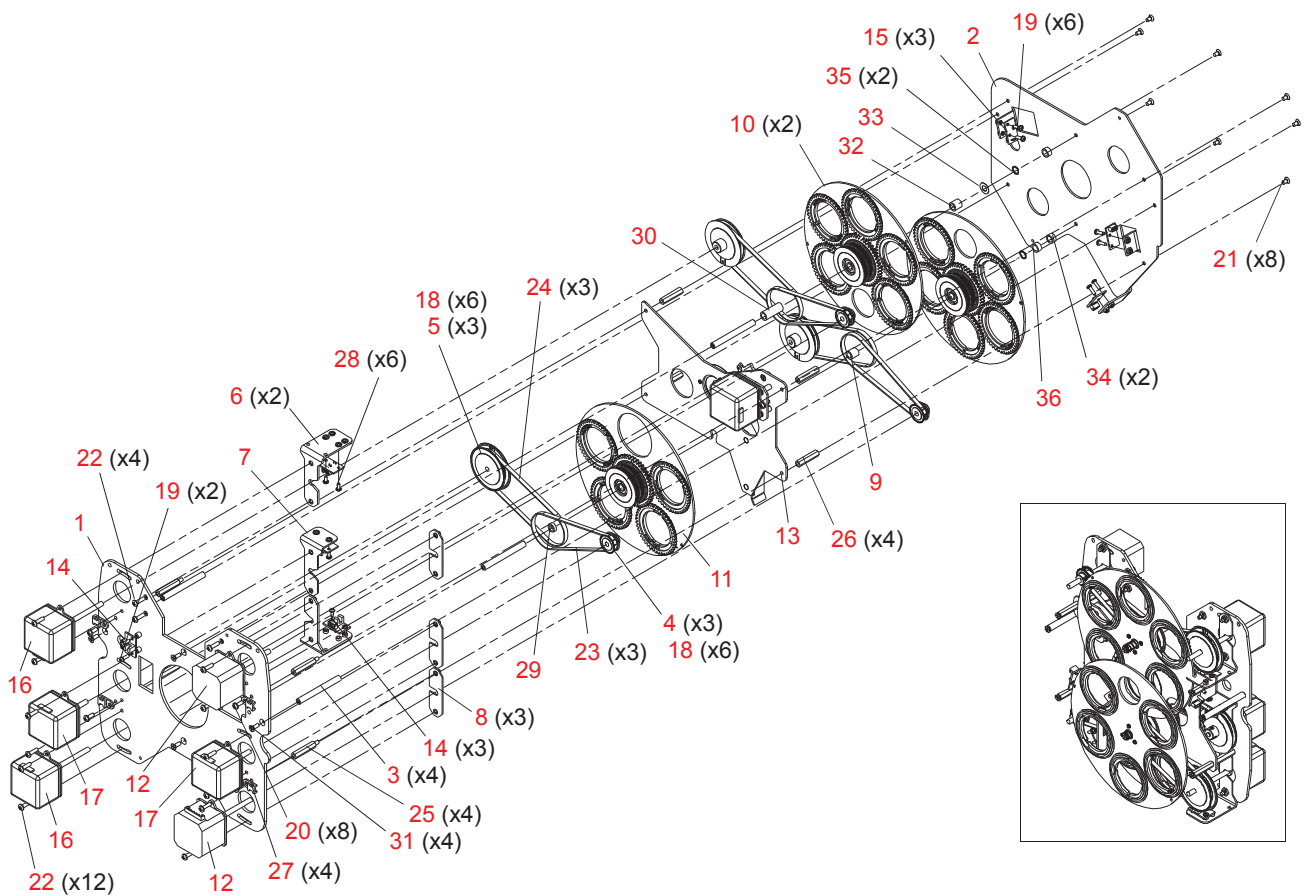


Figure 3-6: Spot Gobo Assembly

Rotating Gobo Wheel Assembly

21.9678.0210 Rev B

Refer to Figure 3-7

No.	Item	Qty.	UM.	Description
1	10.9663.1211	10	EA	SPACER, TEFLON GOBO GEAR
2	10.9663.1240	5	EA	BEARING, GOBO WHEEL BORE
3	10.9678.0220	1	EA	PLATE, ROTATING GOBO WHEEL
4	10.9678.0224	5	EA	RETAINING RING, PLANET
5	22.9678.0230	5	EA	ASSY, PLANET GEAR
6	22.9678.0233	1	EA	SUN GEAR, MOLDED ELASTOMERIC INTEGRAL BEARING
7	22.9678.0234	1	EA	ASSY, PULLEY GOBO WHEEL HUB
7a	- 10.9678.0227	1	EA	PULLEY, HUB, GOBO WHEEL
7b	- 54.1259.0004	2	EA	BEARING, RAD. FLANGED .25" ID .625"OD .0005 (changed 6-26-03)
8	53.6650.0001	3	EA	SCREW, 2-56 X 5/16"
9	55.2256.0001	1	EA	MAGNET, 2:17 SMCO 2MM X 2MM X 3MM
10	10.9678.0250	1	EA	MAGNET TAPE

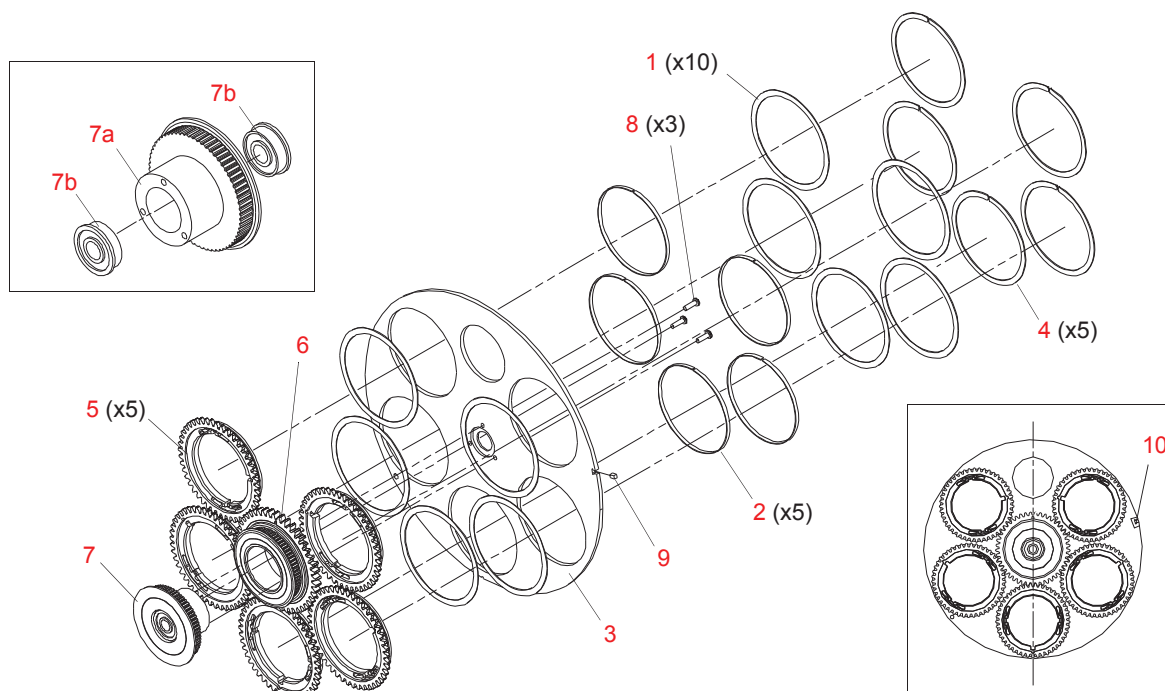


Figure 3-7: Rotating Gobo Wheel Assembly

Rotating Effects Wheel Assembly

21.9678.0211 Rev B

Refer to [Figure 3-8](#)

No.	Item	Qty.	UM.	Description
1	10.9663.1211	8	EA	SPACER, TEFLON GOBO GEAR
2	10.9663.1240	4	EA	BEARING, GOBO WHEEL BORE
3	10.9678.0221	1	EA	PLATE, ROTATING EFFECTS WHEEL
4	10.9678.0224	4	EA	RETAINING RING, PLANET
5	22.9678.0230	4	EA	ASSY, PLANET GEAR
6	22.9678.0233	1	EA	SUN GEAR, MOLDED ELASTOMERIC INTEGRAL BEARING
7	22.9678.0234	1	EA	ASSY, PULLEY GOBO WHEEL HUB
7a	- 10.9678.0227	1	EA	PULLEY, HUB, GOBO WHEEL
7b	- 54.1259.0001	2	EA	BEARING, RAD. FLANGED .25" ID .625"OD
8	53.6650.0001	3	EA	SCREW, 2-56 X 5/16"
9	55.2256.0001	1	EA	MAGNET, 2:17 SMCO 2MM X 2MM X 3MM
10	10.9678.0250	1	EA	MAGNET TAPE .375"W x .625" L x .0035" THICK (changed 07-15-03)

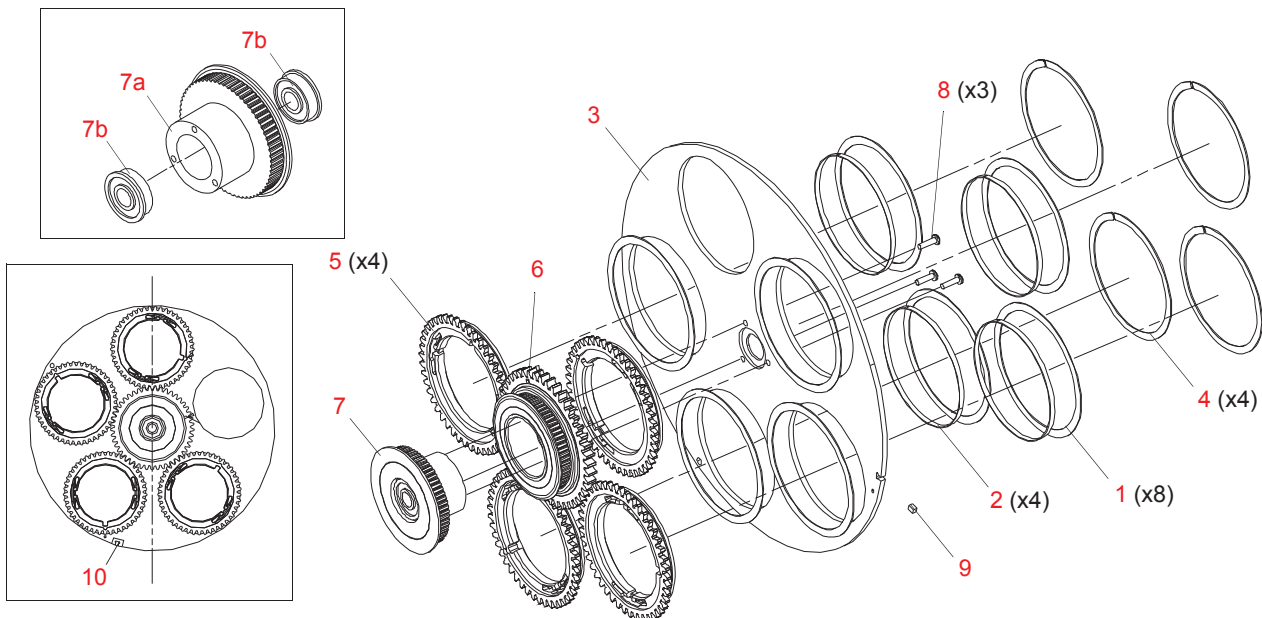


Figure 3-8: Rotating Effects Wheel Assembly

Long Shaft Motor Assembly

21.9678.0243 Rev 0

Refer to [Figure 3-9](#)

No.	Item	Qty.	UM.	Description
1	10.9678.0330	1	EA	PLATE, MOTOR ADAPTER
2	44.9678.0249	1	EA	MOTOR, STEPPER 42MM X 34MM 60MM SHAFT
3	53.6513.0002	4	EA	SCREW, 3MM X 5MM LG PFZ METRIC

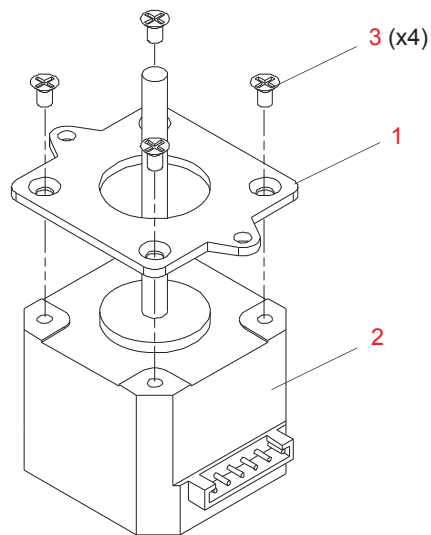


Figure 3-9: Long Shaft Motor Assembly

Iris Assembly

21.9678.0270 Rev A

Refer to [Figure 3-10](#)

No.	Item	Qty.	UM.	Description
1	10.9678.0272	1	EA	BULKHEAD, IRIS
2	10.9678.0273	1	EA	MOTOR MOUNT, IRIS
3	10.9678.0274	1	EA	APERTURE, IRIS
4	10.9678.0276	1	EA	CRANK, IRIS
5	10.9678.0279	1	EA	DIVERTER, GOBO AIR
6	10.9678.0280	1	EA	ADJUSTABLE IRIS STOP (changed 09-17-03)
7	22.9678.0271	1	EA	LINK ASSY, IRIS
7a	- 53.6605.0004	1	EA	STUD, 2-56 X 1.0" LG FULL THREAD STAINLESS STEEL
7b	- 54.1217.0005	2	EA	KWIK LINK, 2-56 SPRING STEEL
8	22.9678.0275	1	EA	IRIS, 49MM OD
9	44.9678.0278	1	EA	MOTOR, 17 .94" SHAFT 11.8MH 5.5OHM
10	53.5558.0125	2	EA	SCREW, 8-32 X .125 " SET SS
11	53.6513.0042	3	EA	SCREW, M2 X .4 X 4MM LG PFB METRIC
12	53.6530.0013	2	EA	RIVET, 1/8"OD POP 0.328" AL CSK HD STL MNDRL
13	53.6558.0001	2	EA	SCREW, 6-32 X 3/8" PPZ
14	53.6609.0500	3	EA	SCREW, 6-32 X 1/2" LG PFZ
15	55.2211.0002	1	EA	STANDOFF, 1/4 " RND 6-32 0.188"LG (changed 09-17-03)
16	55.6538.0005	4	EA	WASHER, 0.250"OD 0.65"ID 0.015"THK TEFLON

Iris Assembly (continued)

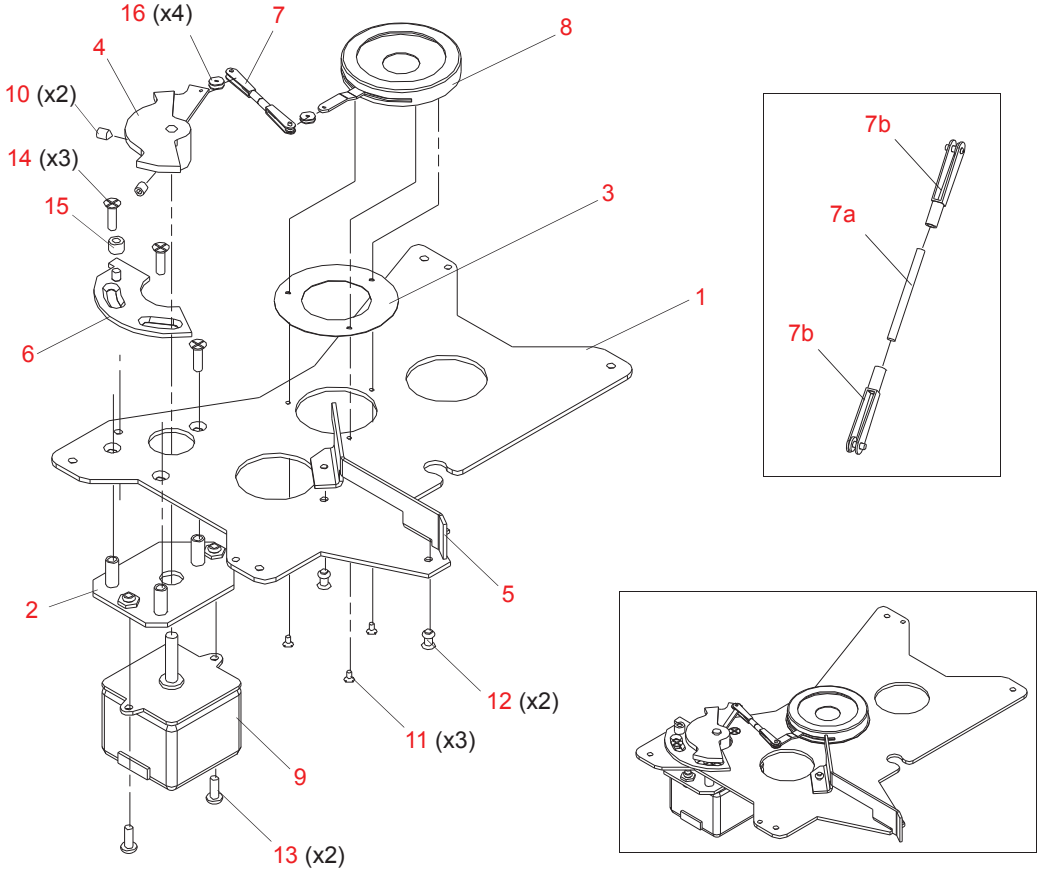


Figure 3-10: Iris Assembly

Hot Box Assembly

21.9678.8640.01 Rev D (Spot)

21.9678.8640.02 Rev D (Wash)

21.9678.8698.01 Rev C (Quiet Spot)

21.9678.8698.02 Rev C (Quiet Wash)

Refer to [Figure 3-11](#)

No.	Item	Qty.	UM.	Description
1	04.9678.0042	1	EA	LABEL, VL3000 BACKCAP
	10.9678.0043	1	EA	LABEL, BACKCAP, VL3000 QUIET
2	10.9678.0641	1	EA	HOT BOX
3	10.9678.0642	1	EA	BACKCAP PLATE
4	10.9678.0643	1	EA	LAMP ADJUST STOP
5	10.9678.0645	3	EA	KNOB, LAMP ADJ MOLDED
6	10.9678.0646	1	EA	TILT PLATE, XYZ ADJUSTMENT
7	10.9678.1648	4	EA	GASKET, PRIMARY REFLECTOR
8	10.9678.2647	4	EA	CLAMP, PRIMARY REFLECTOR
9	55.6759.0003	4	EA	STANDOFF, PEM 6-32 X .562 LG, SST
10	55.6568.0077	4	EA	SPRING, COMPRESSION, 0.035 " WIRE, 0.300 DIA X .625" LG
11	12.9678.7155	1	EA	REFLECTOR, PRIMARY SMOOTH (Wash Only)
	12.9678.7151	1	EA	REFLECTOR, PRI 40 LUNE DUAL CURVATURE (Spot Only)
-	25.9661.1522	1	EA	CABLE ASSY, HEAD TO BACKCAP GROUND (Not Shown)
-	25.9678.0789	1	EA	CABLE ASSY, IGNITOR TO LAMP SOCKET (Not Shown)
12	53.6582.0001	4	EA	SCREW, 6-32 X 3/4" PFZ
13	53.2030.0001	3	EA	NUT, ACORN 10-32THD 3/8 WIDE, 3/16 THD DP BLK ZINC
14	53.5508.0375	2	EA	SCREW, 8-32 X 3/8" PPSS
15	53.6530.0013	8	EA	RIVET, 1/8"OD .063" - .125"GL CSK HD ALUM
16	55.2233.0003	4	EA	RETAINER, PUSH-ON TYPE
17	55.2233.0006	4	EA	STUD, 1/4 TURN OPR .455L STEEL
18	55.6546.0004	3	EA	WASHER, TEFLON, .2011D X .438O
19	55.6568.0077	3	EA	SPRING, CPRSN .300"OD .625"LG .035"WIRE DIA SS
20	71.2561.0002	1	EA	LAMPHOLDER, SFC10-4 WITH PREFOCUS, SHARX (changed 12-06-06)
	71.2571.0001	1	EA	LAMPHOLDER, SFC10-4 WITH GOLD CONTACTS, SHARX (VL3000 Q)

Hot Box Assembly (continued)

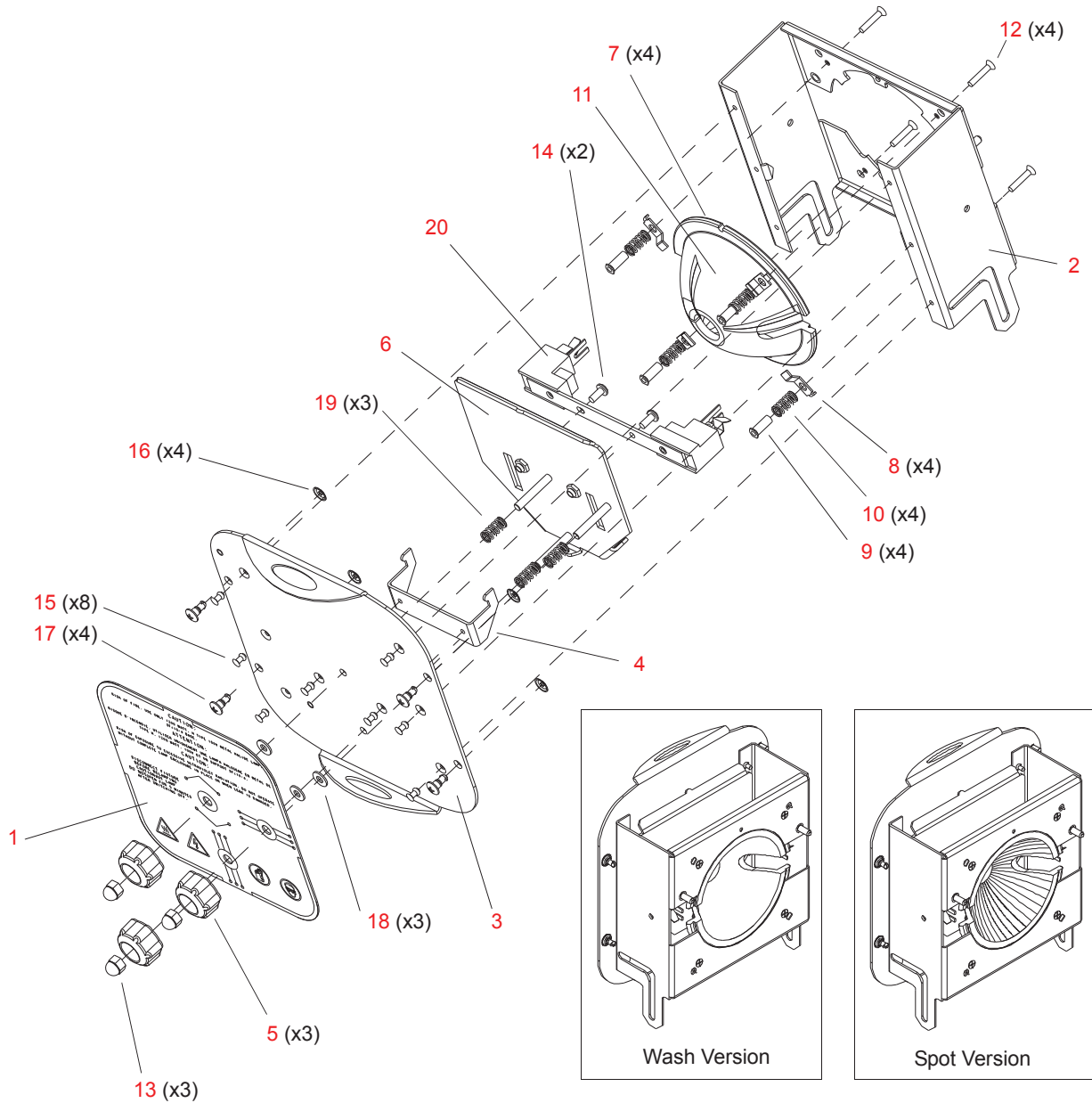


Figure 3-11: Hot Box Assembly

Gobo/Color Fan Assembly - VL3000Q only

21.9678.0659.01 Rev D

Refer to [Figure 3-13](#)

No.	Item	Qty.	UM.	Description
1	10.9678.0665	1	EA	SPRING, EXTENSION ELONGATED HO
2	22.9678.0661	1	EA	ASSY, FAN TRAY
3	22.9678.0665	1	EA	DUCT ASSY
4	23.9678.0699	2	EA	FAN ASSY, HEAD FRONT
5	53.5506.1375	6	EA	SCREW, 6-32 X 1 3/8" LG PPB
6	53.6519.0001	2	EA	SCREW, 4-40 X 5/8" PPZ
7	53.6530.0006	2	EA	RIVET, 1/8" OD POP .188-.250GL
8	55.2179.0003	2	EA	SADDLE, CABLE, .75 X .75" 4-WAY ADH BACK WHT
9	55.2186.0001	2	EA	CABLE TIE, .10"WD X 4" LG SMALL (not shown)
10	55.6538.0002	2	EA	WASHER, #6 NYLON NATURAL
11	55.6818.0002	1	EA	STANDOFF, 45 DEG NYLON 6/6 KUR
12	74.1099.0001	1	EA	SWITCH, MINIATURE 5AMP 150DEG

Gobo/Color Fan Assembly - VL3000Q (continued)

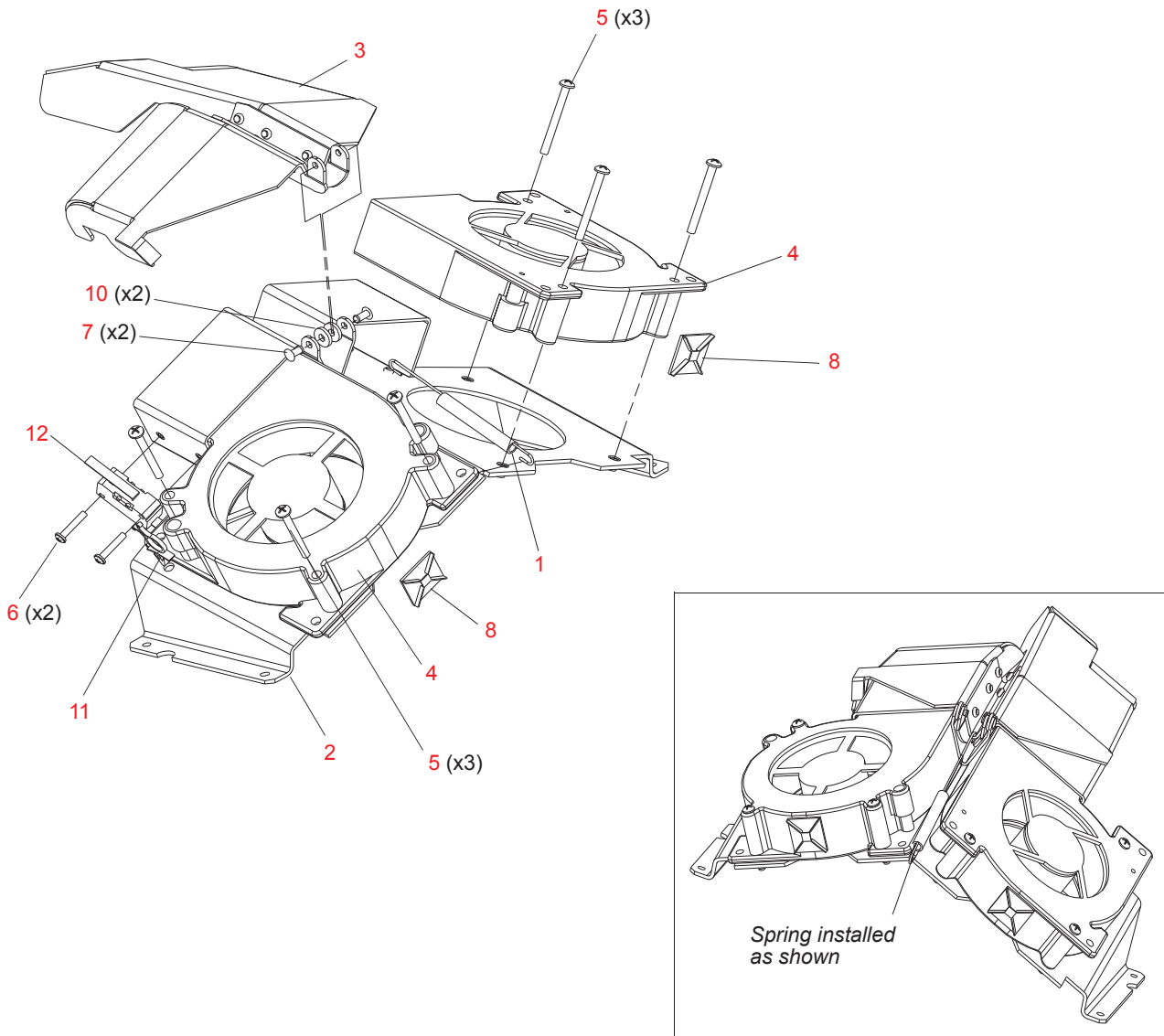


Figure 3-12: Gobo/Color Fan Assembly

Dual Fan Tray/Duct Assembly

21.9678.0660.01 Rev B

Refer to [Figure 3-13](#)

No.	Item	Qty.	UM.	Description
1	10.9678.0665	1	EA	SPRING, EXTENSION ELONGATED HOOK (changed 06-29-06)
2	22.9678.0661	1	EA	ASSY, FAN TRAY
3	22.9678.0665	1	EA	DUCT ASSY
4	23.9678.0684	2	EA	FAN ASSY, HEAD FRONT
5	53.5506.1375	6	EA	SCREW, 6-32 X 1 3/8" LG PPB
6	53.6519.0001	2	EA	SCREW, 4-40 X 5/8" PPZ
7	53.6530.0006	2	EA	RIVET, 1/8" OD POP .188-.250GL
8	55.6538.0002	2	EA	WASHER, #6 NYLON NATURAL
9	55.6818.0002	1	EA	STANDOFF, 45 DEG NYLON 6/6 KUR
10	74.1099.0001	1	EA	SWITCH, MINIATURE 5AMP 150DEG

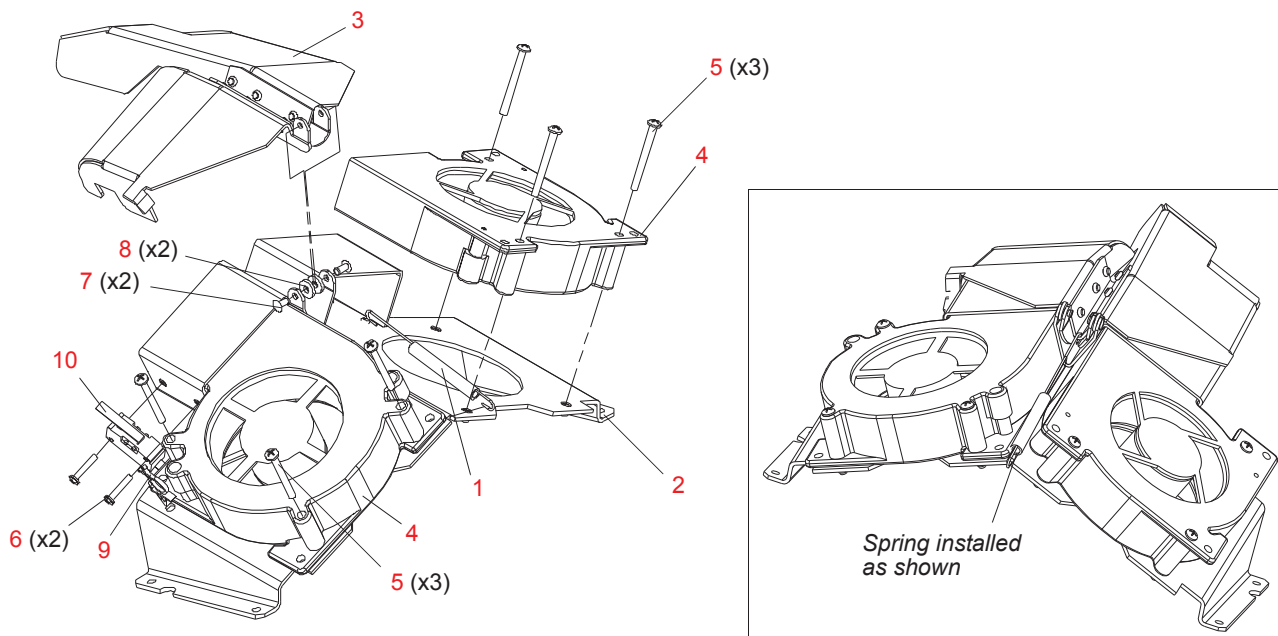


Figure 3-13: Dual Fan Tray/Duct Assembly

Head Front Fan Assembly

23.9678.0684 Rev 0

Refer to [Figure 3-14](#)

No.	Item	Qty.	UM.	Description
1	40.7125.0001	1	EA	FAN, 24V FAL6F24LH
2	52.6523.0002	1	EA	CONN, HOUSING 2POS PLUG SHROUDED WIRE TO WIRE
3	52.8347.0001	2	EA	CONTACT, 24-30AWG MALE CRIMP

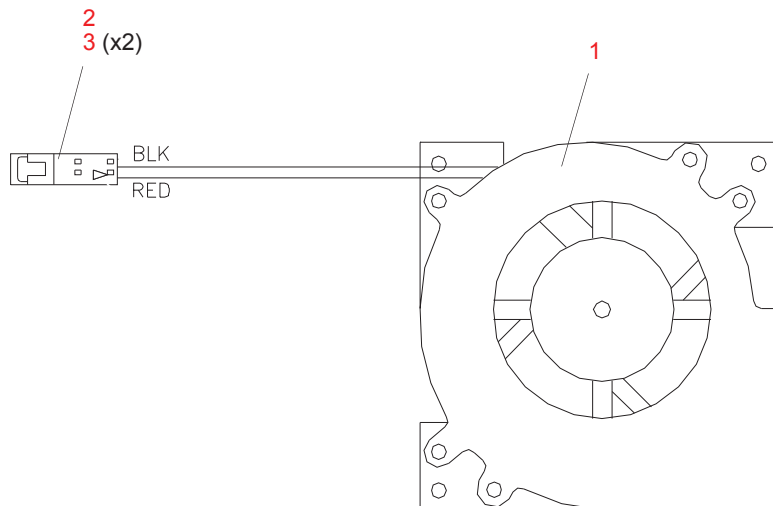


Figure 3-14: Head Front Fan Assembly

Head Front Fan Assembly - VL3000Q only

23.9678.0699 Rev A

Refer to [Figure 3-14](#)

No.	Item	Qty.	UM.	Description
1	40.7125.0001	1	EA	FAN, 24V FAL6F24LH
2	52.6523.0002	1	EA	CONN, HOUSING 2POS PLUG SHROUDED WIRE TO WIRE
3	52.8347.0001	2	EA	CONTACT, 24-30AWG MALE CRIMP
4	55.2186.0001	1	EA	CABLE TIE, .10 X 4" SMALL
5	55.2268.0125	1	EA	HEATSHRINK, 1/8" CLEAR KYNAR UL 600V 150 DEG C
6	60.8440.6801	1	EA	RESISTOR, 10W, 5%, 68 OHM WIREWOUND

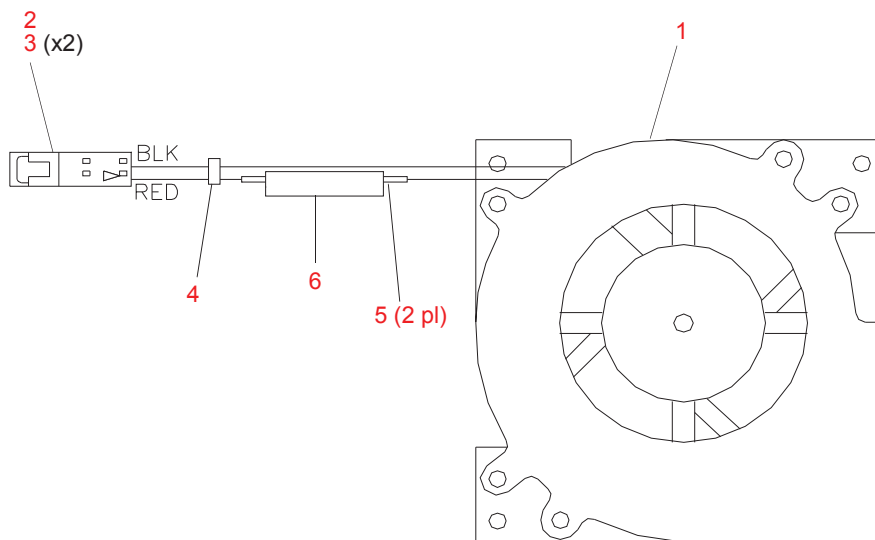


Figure 3-15: Head Front Fan Assembly - VL3000Q only

Transfer Fan Assembly

21.9678.0678.01 Rev C (Spot)

21.9678.0678.02 Rev C (Wash)

Refer to [Figure 3-16](#)

No.	Item	Qty.	UM.	Description
1	10.9678.0679	1	EA	TRANSFER FAN TRAY
2	23.9678.0695	1	EA	FAN ASSY, TRANSFER
3	53.5506.1375	3	EA	SCREW, 6-32 X 1-3/8"LG PPB
4	55.6543.0001	2.12	FT	GROMMET STRIP, SERRATED POLYETHYLENE
5	55.6769.0004	3	EA	TWIST-LOK 0.55" ID NOM WHT 85 C MAX FLAME RET (added 11-11-03) (Spot Only)
	55.6769.0004	2	EA	TWIST-LOK 0.55" ID NOM WHT 85 C MAX FLAME RET (added 11-11-03) (Wash Only)

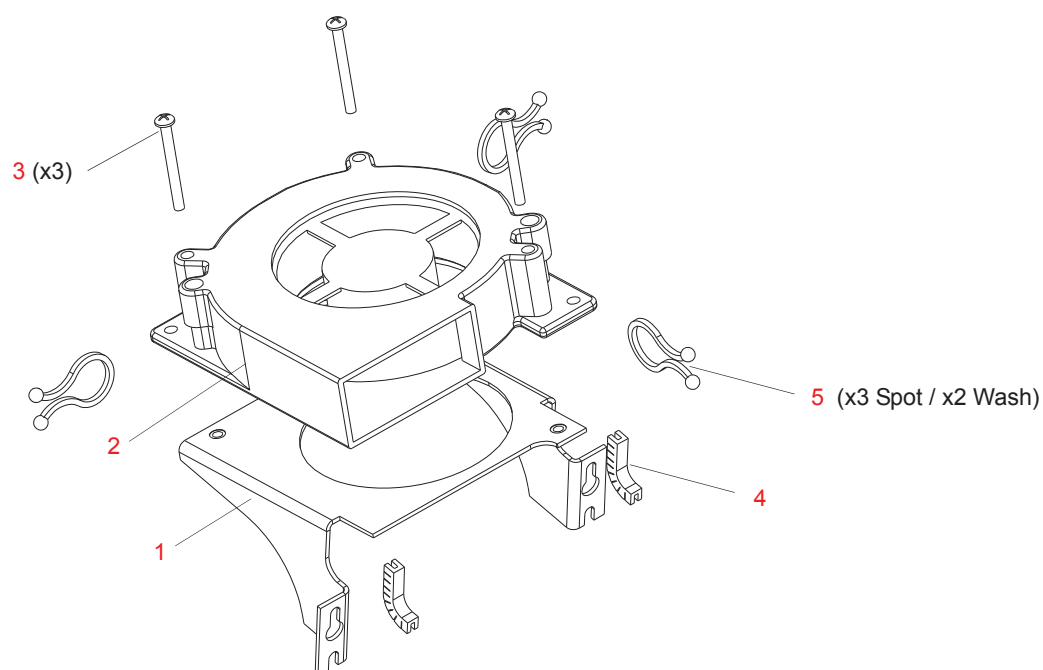


Figure 3-16: Transfer Fan Assembly

Notes

Spot Optic Assembly

22.9678.0103 Rev R (Spot Only)

Refer to [Figure 3-17](#) and [Figure 3-18](#)

No.	Item	Qty.	UM.	Description
1	10.9678.1131	1	EA	FORWARD PULLEY SHAFT (changed 12-15-04)
2	10.9678.0127	1	EA	PULLEY, IDLER
3	10.9678.0129	2	EA	SPACER, ROLLER CAM
4	10.9678.0153	1	EA	CABLE CLAMP, CAST
5	10.9678.0156	2	EA	BARREL STRAP, G1 & G2
6	10.9678.0157	1	EA	BARREL STRAP, G3
7	10.9678.0171	1	EA	SHAFT, CAM PULLEY
8	10.9678.1185	1	EA	LIGHT BAFFLE #2 (NOT SHOWN)
9	10.9678.1186	1	EA	LIGHT BAFFLE #3
10	10.9678.1191	1	EA	LIGHT BAFFLE, G3
11	12.9678.0174	1	EA	LENS MOUNT, MACHINE G3
12	12.9678.1179.01	1	EA	LENS MOUNT, MACHINE G1
13	12.9678.1179.02	1	EA	LENS MOUNT, MACHINE G2
14	21.9678.0110	1	EA	ASSY, ZOOM BOX
15	21.9678.0113	1	EA	ASSY, RAIL & CARRIAGE
16	22.9678.1181	1	EA	LENS ASSY, GROUP 1
17	22.9678.0182	1	EA	LENS ASSY, GROUP 2
18	22.9678.0183	1	EA	LENS ASSY, GROUP 3
19	22.9678.0199	1	EA	ASSY, LENS MOUNT G4
20	22.9678.1103	1	EA	ASSY, EDGE BEARING RIGHT
21	22.9678.1105	1	EA	ASSY, EDGE BEARING LEFT
22	22.9678.1106	1	EA	ZOOM CAM ASSY
23	22.9678.1113	1	EA	ASSY, ZOOM MOTOR TENSIONING
24	22.9678.1115	1	EA	INTERCONNECT, LIGHT SHIELD
25	22.9678.1190	1	EA	LID ASSY, ZOOM BOX (changed 11-05-03)
	- 12.9678.1189	1	EA	LID, ZOOM BOX
	- 53.2008.0006	1	EA	NUT, PUSH #6
	- 53.6522.0001	1	EA	SCREW, 6-32 X 1/4" PPZ
	- 55.3303.0006	1	EA	WASHER, #6 LOCK INT. TOOTH SS

VARILITE*® - VL3000™ SERIES LUMINAIRE SERVICE MANUAL**

No.	Item	Qty.	UM.	Description
26	23.9678.1120	1	EA	LINEAR ACTUATOR ASSEMBLY
	- 44.9678.0119	1	EA	LINEAR ACTUATOR EDGE DRIVE
	- 52.6467.0004	1	EA	4 POS 30-24 AWG CRIMP PHR
	- 52.6467.0024	4	EA	CONTACT, SOCKET 30-24AWG CRIMP (REEL) PH (JST)
27	24.9678.3112	1	EA	PCB ASSY, VL3000 ZOOM SENSOR
28	53.2004.0002	1	EA	NUT, 8-32 KEPS ZINC PLATE
29	53.2213.0001	7	EA	NUT, #6 KEPS (changed 03-24-04)
30	53.5564.0250	2	EA	SCREW, 6-32 X 1/4" PFB UNDERCUT (added 04-07-06)
31	53.5604.0375	5	EA	SCREW, 4-40 X 3/8" PPB (changed 03-24-04)
32	53.6513.0023	6	EA	SCREW, M3 X 8MM LG PFZ METR
33	53.6558.0009	17	EA	SCREW, 6-32 X 3/8" SEMS (changed 03-24-04)
34	53.6558.0016	1	EA	SCREW, 6-32 X 3/4" LG PPS SEMS (changed 3-03-04)
35	53.6596.0002	4	EA	SCREW, 4-40 X 5/16" LG PPZ SEMS (changed 3-03-04)
36	53.6609.0001	6	EA	SCREW, 6-32 X 3/8" PFZ
37	53.6613.0008	4	EA	SCREW, 6-32 X 1/2" LG PPZ SEMS (added 3-03-04)
38	53.6614.0003	2	EA	SCREW, 6-32 X 5/8" PFZ (NOT SHOWN)
39	53.6617.0003	1	EA	SCREW, 6-32 X 1" PPB SEMS (changed 3-03-04)
40	53.6682.0025	2	EA	SCREW, 8-32 X 5/8" LNG PPZ SEMS (changed 11-19-03)
41	54.1261.0001	6	EA	BUSHING, LOW DAMP THERMOPLASTIC .189" ID .5" OD
42	55.2234.0001	1	EA	RING, RETAINING E-STYLE GRV.188 DIA (changed 02-06-05)
43	54.2053.0001	1	EA	MXT T BELT PULLEY, 20GRV .25WD
44	54.2054.0001	1	EA	BELT, TIMING MXL .080 PITCH 235 G, 3/16" WIDE, POLYU/KEVLAR
45	54.1262.0001	2	EA	BEARING, FLANGED EXTENDED .1875 BORE (changed 12-15-04)
46	55.2283.0001	4	EA	SHIM, SPACER .253" IDX, .010" THK
47	55.6503.0004	3	EA	WASHER, #8 FLAT ZINC (changed 03-24-04)
48	55.6528.0001	5	EA	WASHER, #6 FLAT ZINC
49	55.6578.0073	1	EA	SPRING, EXTSN .375"OD
50	55.6846.0001	2	EA	CAM FOLLOWER, 3MM DIA STUD
51	10.9678.1140	1	EA	SHOCK PAD, G1 (added 12-15-04)
52	10.9678.1141	1	EA	BACKING PLATE, SHOCK PAD, G1 (added 12-15-04)

Spot Optic Assembly (continued)

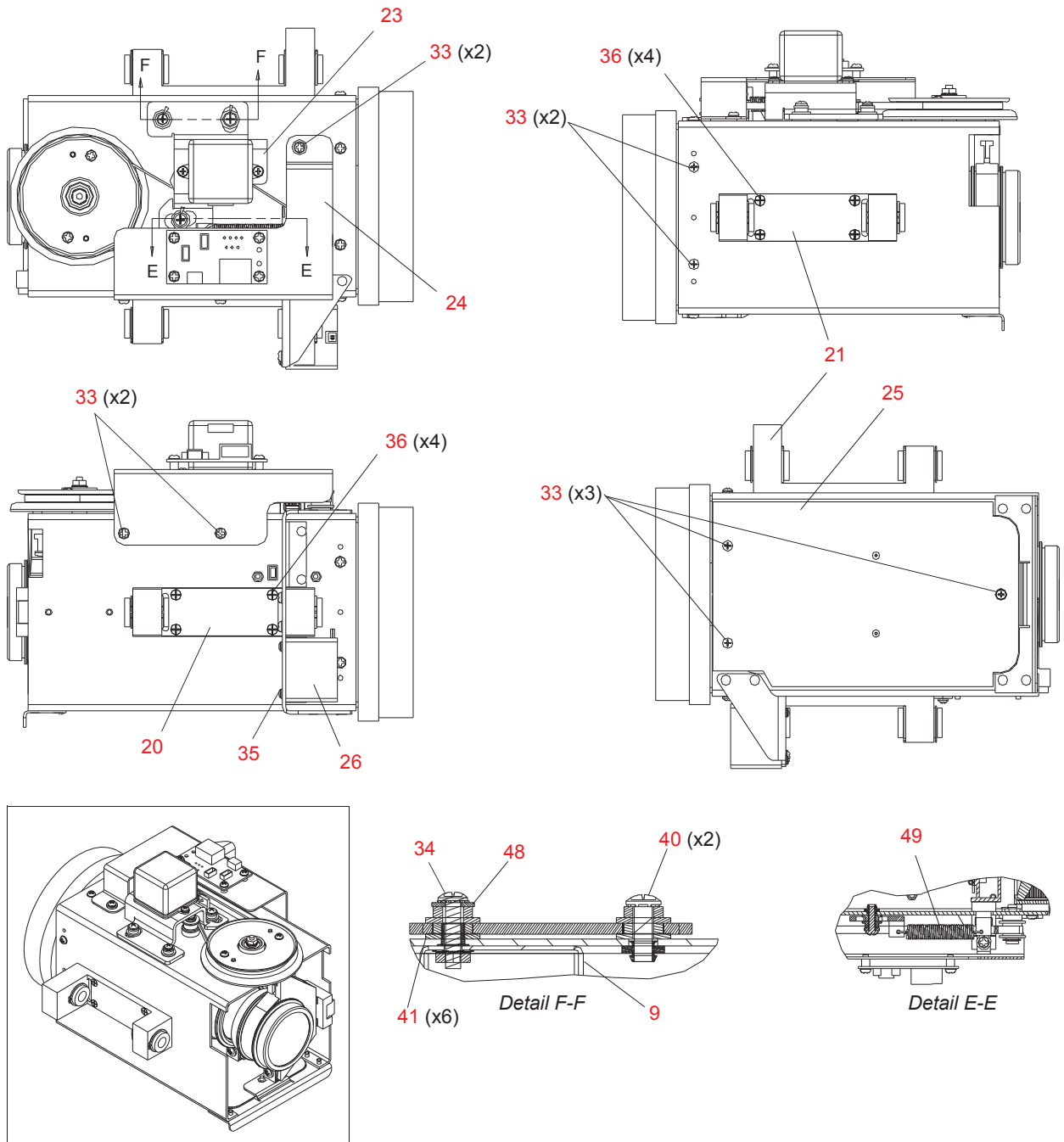


Figure 3-17: Spot Optic Assembly View 1

Spot Optic Assembly (continued)

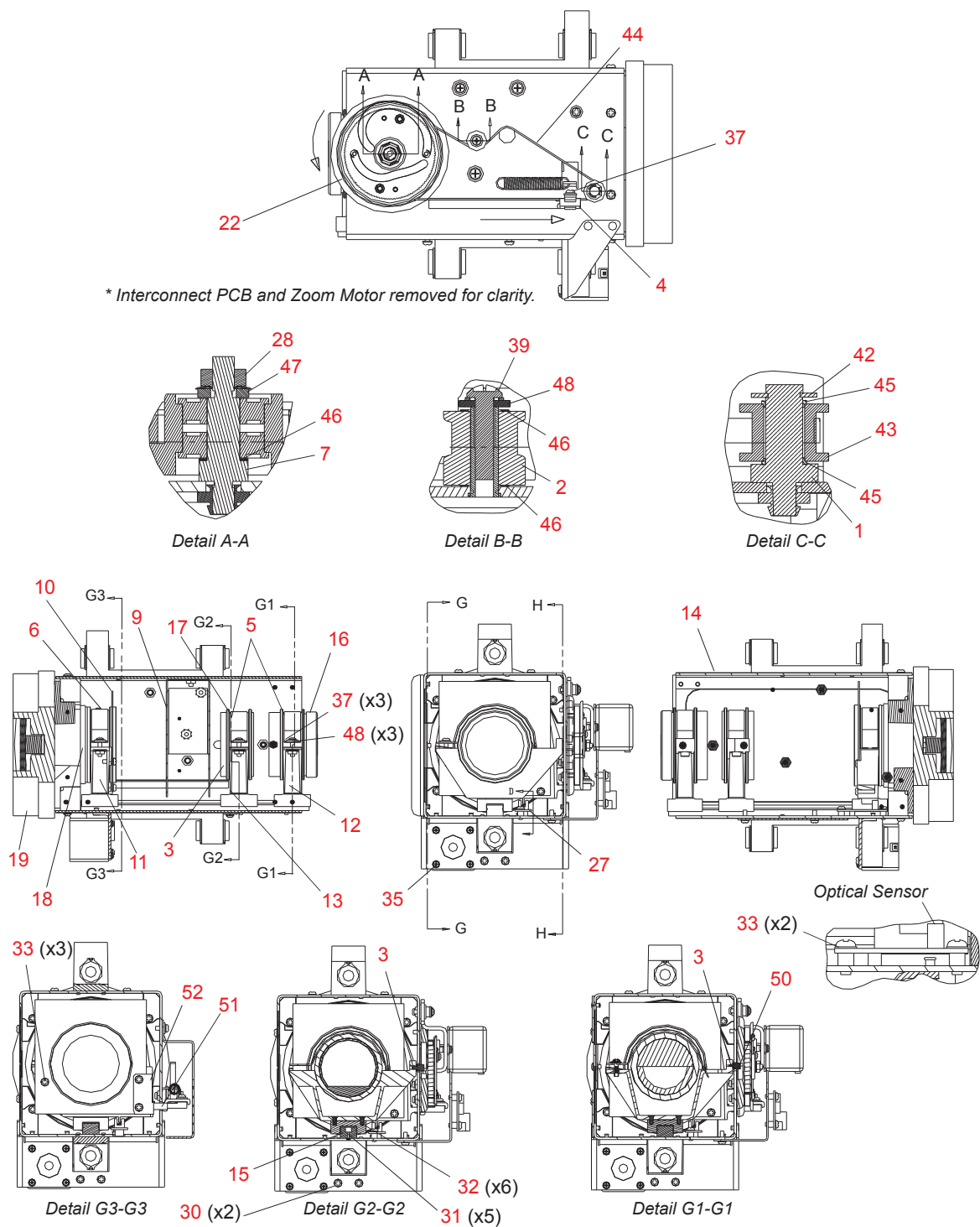


Figure 3-18: Spot Optic Assembly View 2

Zoom Box Assembly

21.9678.0110 Rev F

Refer to [Figure 3-19](#)

No.	Item	Qty.	UM.	Description
1	10.9678.0124	1	EA	ZOOM BOX
2	10.9678.0125	1	EA	BRACE, FOCUS
3	10.9678.0126	1	EA	BRACE, REAR
4	53.6530.0006	12	EA	RIVET, 1/8"OD POP .188-.250GL

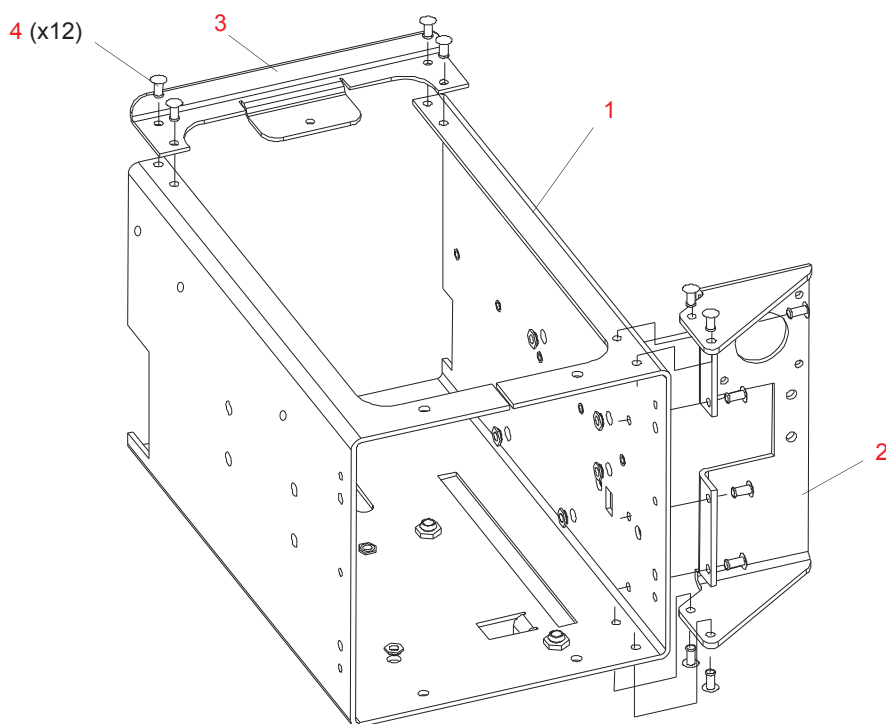


Figure 3-19: Zoom Box Assembly

Group 1 Lens Assembly

22.9678.1181 Rev A

(Formerly 22.9678.0181)

Refer to [Figure 3-20](#)

No.	Item	Qty.	UM.	Description
1	10.9678.0187	1	EA	LENS CAP, GROUP 1
2	10.9678.0175	1	EA	SPACER, RIBBED, L1-L2/G1
3	10.9678.1128	1	EA	SPACER, LENS 3-4/G1 (changed 6-26-03)
4	10.9678.0185	1	EA	LENS BARREL, GROUP 1
5	42.9678.0131	1	EA	LENS, #1
6	42.9678.0132	1	EA	LENS, #2
7	42.9678.0133	1	EA	LENS, #3
8	42.9678.0134	1	EA	LENS, #4

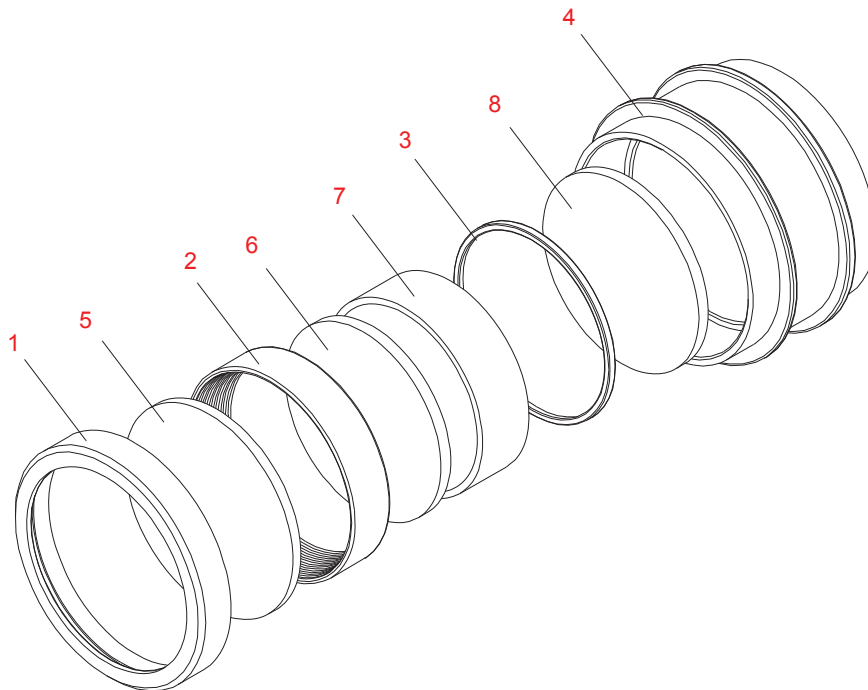


Figure 3-20: Group 1 Lens Assembly

Group 2 Lens Assembly

22.9678.0182 Rev A

Refer to [Figure 3-21](#)

No.	Item	Qty.	UM.	Description
1	10.9678.1127	1	EA	LENS RETAINER, GROUP 2 (changed 6-12-03)
2	10.9678.0177	1	EA	LENS SPACER, L6-L7/G2
3	10.9678.0189	1	EA	LENS BARREL, GROUP 2
4	42.9678.0135	1	EA	LENS, #5
5	42.9678.0136	1	EA	LENS, #6
6	42.9678.0137	1	EA	LENS, #7

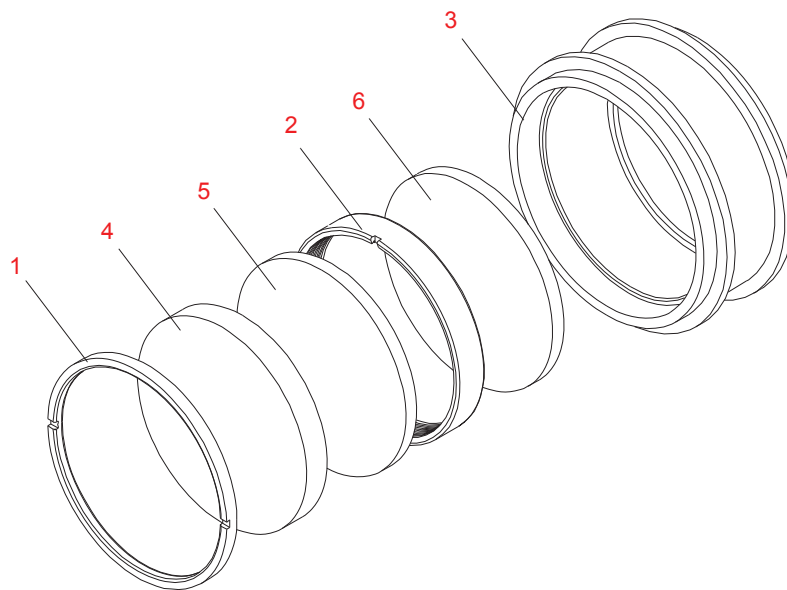


Figure 3-21: Group 2 Lens Assembly

Group 3 Lens Assembly

22.9678.0183 Rev 0

Refer to [Figure 3-22](#)

No.	Item	Qty.	UM.	Description
1	10.9678.0193	1	EA	LENS RETAINER, GROUP 3
2	10.9678.0192	1	EA	SPACER, LENS 8-9/G3
3	10.9678.0191	1	EA	LENS BARREL, GROUP 3
4	42.9678.0140	1	EA	LENS, #10
5	42.9678.0139	1	EA	LENS, #9
6	42.9678.0138	1	EA	LENS, #8

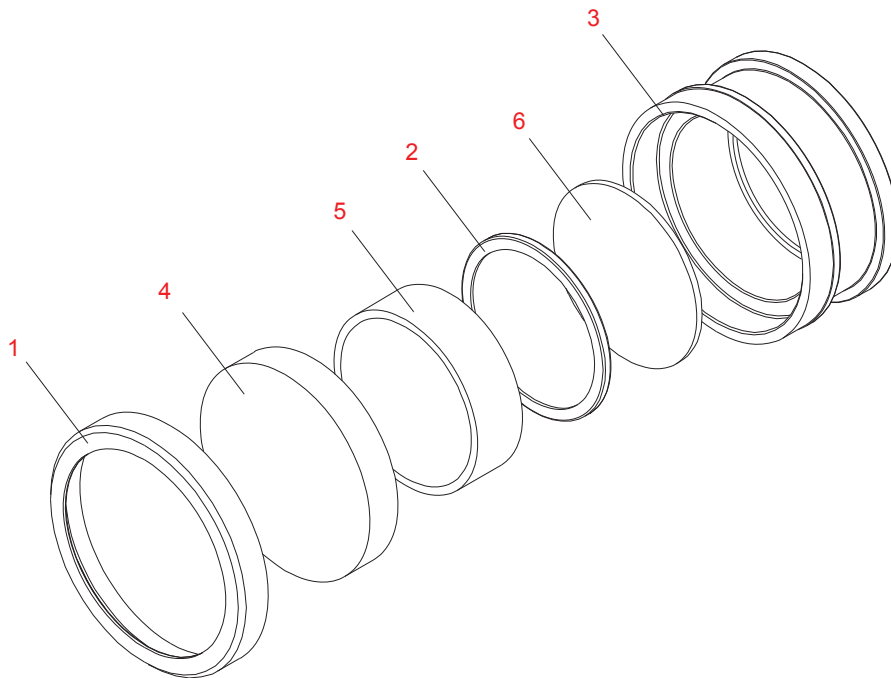


Figure 3-22: Group 3 Lens Assembly

Group 4 Lens Assembly

22.9678.0199 Rev 0

Refer to [Figure 3-23](#)

No.	Item	Qty.	UM.	Description
1	12.9678.0198	2	EA	RING BLOCK, MACHINED G4
2	22.9678.0174	1	EA	LENS ASSY, GROUP 4
3	53.6558.0001	4	EA	SCREW, 6-32 X 3/8" PPZ
4	55.3303.0006	4	EA	WASHER, #6 LOCK INT.TOOTH SS
5	55.6763.0500	4	EA	PIN, DOWEL .5"LG .125"DIA 303SS

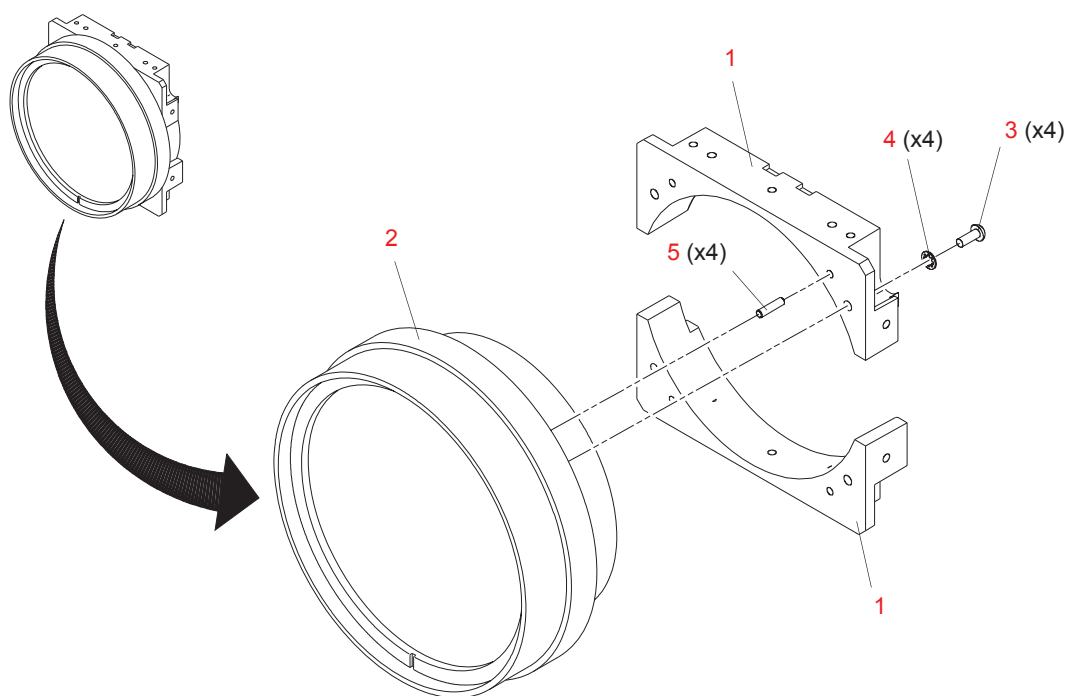


Figure 3-23: G4 Lens Mount Assembly

Right Edge Bearing Assembly

22.9678.1103 Rev C

Refer to [Figure 3-24](#)

No.	Item	Qty.	UM.	Description
1	12.9678.1102	1	EA	EDGE BEARING, MACHINED CASTING RIGHT
2	54.2056.0001	4	EA	RING, RETAINING EXTERNAL 19MM
3	55.6776.0010	2	EA	LINEAR BUSHING, 10MM STEEL W/PHENOLIC CAGE

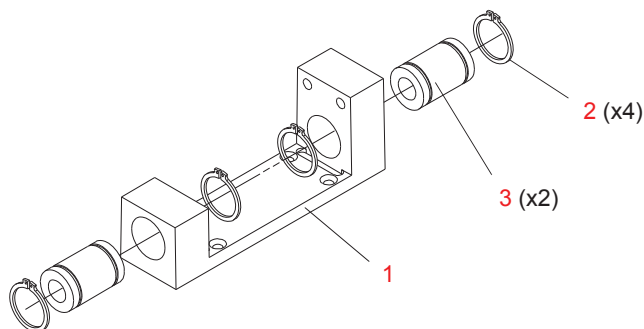
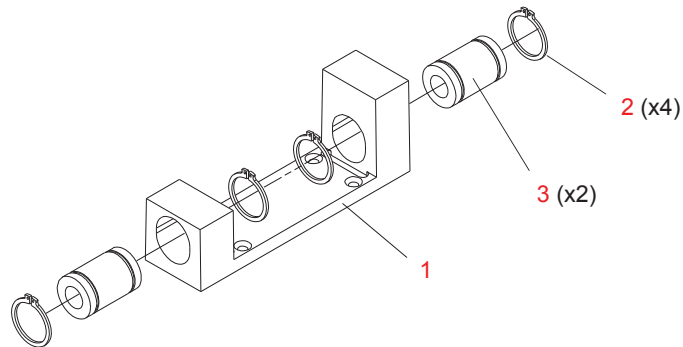


Figure 3-24: Right Edge Bearing Assembly

Left Edge Bearing Assembly**22.9678.1105 Rev C**Refer to [Figure 3-25](#)

No.	Item	Qty.	UM.	Description
1	12.9678.1104	1	EA	EDGE BEARING, MACHINE LEFT
2	54.2056.0001	4	EA	RING, RETAINING EXTERNAL 19MM
3	55.6776.0010	2	EA	LINEAR BUSHING, 10MM STEEL W/PHENOLIC CAGE

**Figure 3-25: Left Edge Bearing Assembly**

Zoom Cam Assembly

22.9678.1106 Rev B

Refer to [Figure 3-26](#)

No.	Item	Qty.	UM.	Description
1	10.9678.1107	1	EA	ZOOM TIMING CAM
2	10.9678.1108	1	EA	PULLEY FLANGE
3	10.9678.1118	1	EA	TIMING PULLEY, ZOOM
4	53.6613.0008	2	EA	SCREW, 6-32 X 1/2" PPZ (changed 11-08-04)
5	54.1259.0004	2	EA	BEARING, RADIAL FLANGED .25"ID .625"OD (changed 06-25-03)
6	55.6763.0500	2	EA	PIN, DOWEL .5"LG .125"DIA 303SS

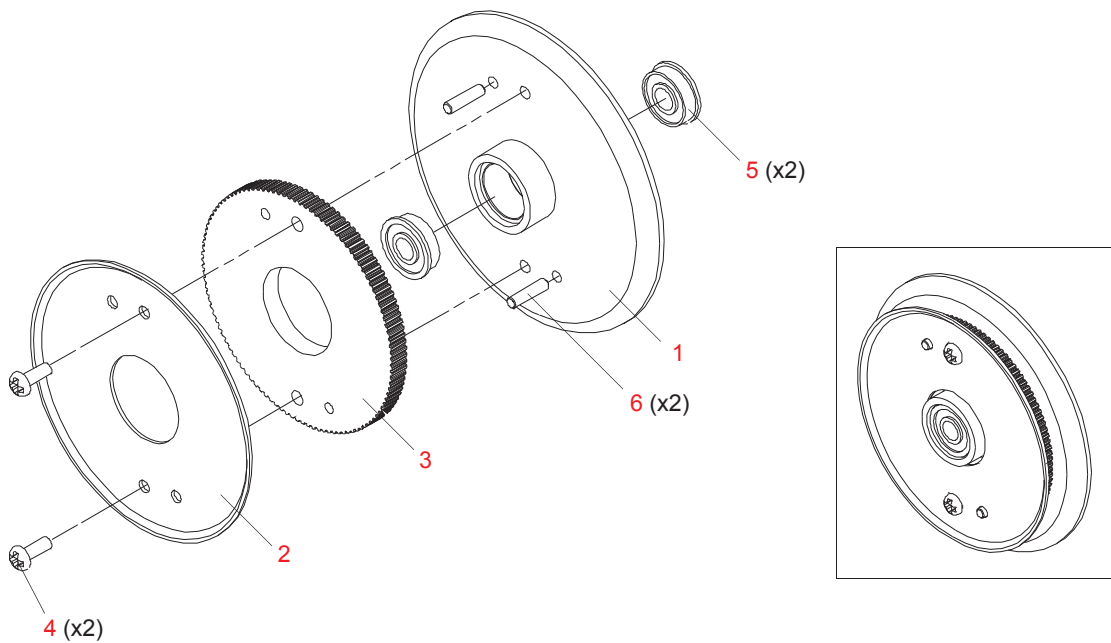


Figure 3-26: Zoom Cam Assembly

Zoom Motor Tensioning Assembly

22.9678.1113 Rev B

Refer to [Figure 3-27](#)

No.	Item	Qty.	UM.	Description
1	10.9678.0338	1	EA	PULLEY, ZOOM MOTOR (changed 03-07-06)
2	10.9678.1111	1	EA	BRACKET, ZOOM TENSION SHEETMETAL
3	44.9663.1326	1	EA	MOTOR, 17 .53" SHAFT 11.8MH 5.5 OHM
4	53.5559.0250	2	EA	SCREW, 6-32 X 1/4" SET CONE POINT
5	53.6522.0001	2	EA	SCREW, 6-32 X 1/4" PPZ
6	55.3303.0006	2	EA	WASHER, #6 LOCK INT.TOOTH SS

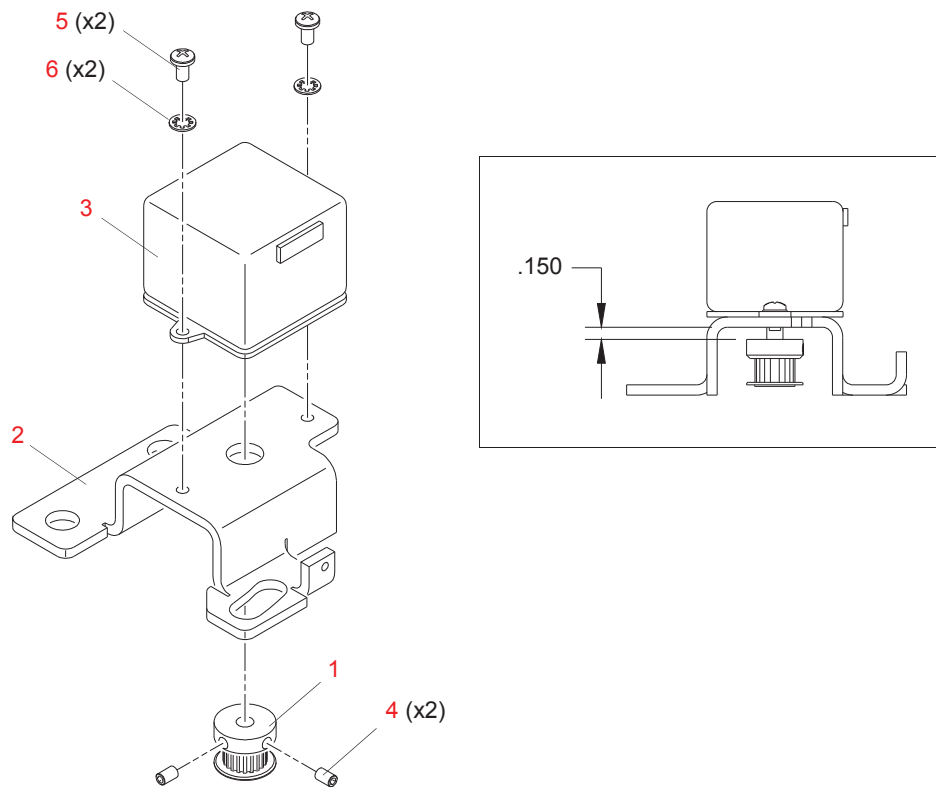


Figure 3-27: Zoom Motor Tensioning Assembly

Interconnect Light Shield Assembly

22.9678.1115 Rev D

Refer to [Figure 3-28](#)

No.	Item	Qty.	UM.	Description
1	10.9678.1114	1	EA	SHIELD, INTERCONNECT MOUNT/LIGHT
2	24.9678.3116	1	EA	PCB ASSY, ZOOM INTERCONNECT (changed 03-07-06)
3	53.6558.0009	4	EA	SCREW, 6-32 X 3/8" PPZ SEMS

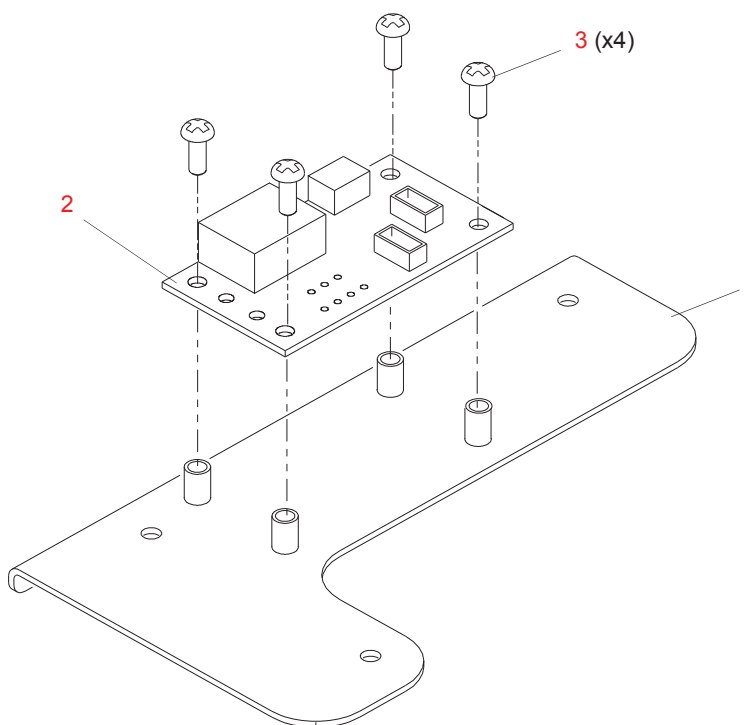


Figure 3-28: Interconnect Light Shield Assembly

Rod Clamp Assembly

22.9678.0149 Rev B

Refer to [Figure 3-29](#)

No.	Item	Qty.	UM.	Description
1	10.9678.0151	1	EA	CLAMP, OPTIC ROD CAST
2	53.2008.0006	2	EA	SPRING CLIP, 6-32
3	53.6616.0001	2	EA	SCREW, 6-32 X 3/4" PPZ
4	55.6528.0001	2	EA	WASHER, #6 FLAT ZINC
5	55.6538.0001	2	EA	WASHER, #6 LOCK INTERNAL TOOTH

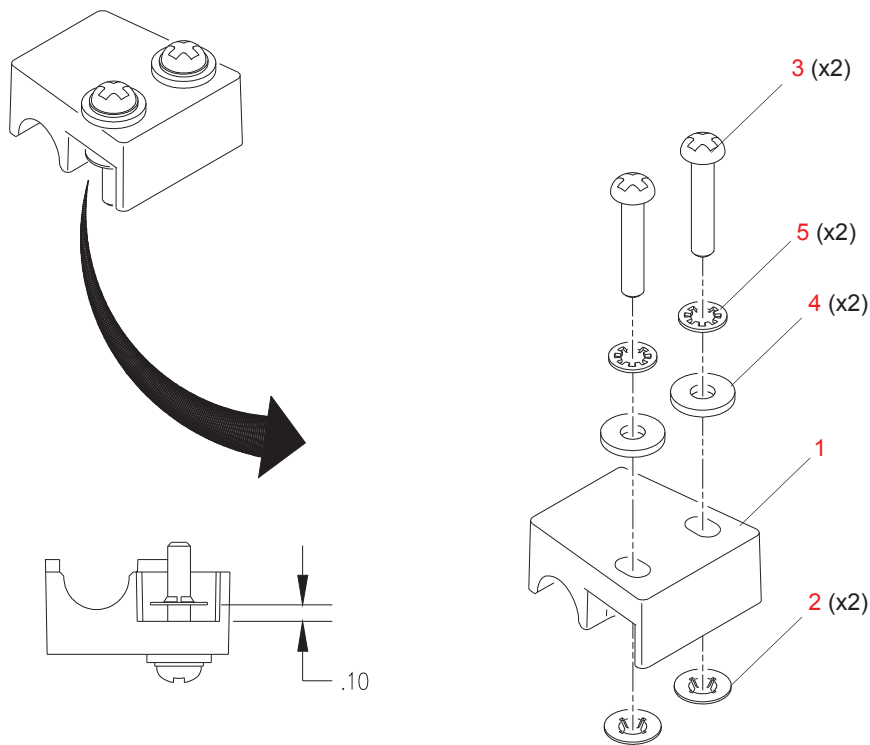


Figure 3-29: Rod Clamp Assembly

Color/Dimmer/Strobe Assembly

22.9678.0402 Rev M

22.9678.0462 Rev D (VL3000Q)

Refer to [Figure 3-30](#)

No.	Item	Qty.	UM.	Description
1	10.9678.0324	1	EA	PULLEY, FIXED COLOR WHEEL
2	10.9678.0337	1	EA	DRIVE PULLEY, FIXED COLOR WHEEL (changed 03-09-06)
3	10.9678.0456	4	EA	SHAFT, COLOR WHEEL
4	10.9678.0457.07	1	EA	SPACER, COLOR WHEEL L.357 (changed 07-22-04)
5	10.9678.0457.02	2	EA	SPACER, COLOR WHEEL L.190
6	10.9678.0457.03	3	EA	SPACER, COLOR WHEEL L.123
7	10.9678.0457.04	3	EA	SPACER, COLOR WHEEL L.031
8	10.9678.0469	1	EA	REAR COLOR BULKHEAD
9	10.9678.0485	5	EA	PULLEY, COLOR MOTOR
10	21.9678.0331	1	EA	ASSY MOTOR/PLATE
11	21.9678.0334	1	EA	ASSY, FIXED COLOR WHEEL
12	22.9678.0335	1	EA	ASSY, BEARING BLOCK, FIXED WHEEL
	- 10.9678.0323	1	EA	WHEEL MOUNT
	- 54.1259.0004	2	EA	BEARING, RADIAL FLANGED 0.25"ID 0.625"OD (changed 6-25-03)
13	22.9678.0403	1	EA	ASSY, STROBE
	22.9678.0463	1	EA	ASSY, STROBE (VL3000 QUIET)
14	22.9678.0435	1	EA	ASSY, DIMMER WHEEL
15	22.9678.0472	1	EA	ASSY, CYAN WHEEL
16	22.9678.0474	1	EA	ASSY, YELLOW WHEEL
17	22.9678.0476	1	EA	ASSY, MAGENTA WHEEL
18	22.9678.0478	1	EA	ASSY, CTO WHEEL
19	22.9678.0481	1	EA	MOUNT ASSY, COLOR SENSE PCB #1
20	10.9678.0486	1	EA	FRONT COLOR BULKHEAD
21	22.9678.0489	1	EA	ASSY, COLOR SENSE PCB #2 MOUNT
22	24.9678.3240	1	EA	PCB ASSY, WHEEL POSITION SENSOR (changed 02-14-05)
-	25.9678.1409	1	EA	PCB/CABLE ASSY, COLOR INTERCNT (not shown) (changed 06-28-06)
-	25.9678.1419	1	EA	PCB/CABLE ASSY, COLOR INTERCNT (not shown) (VL3000 QUIET)
23	44.9678.0455	5	EA	COLOR MOTOR
24	53.2202.0008	1	EA	NUT, 8-32 HEX SS, NYLON INSERT
25	53.2200.0006	12	EA	NUT, 6-32 KEPS SS

No.	Item	Qty.	UM.	Description
26	53.5559.0250	12	EA	SCREW, 6-32 X 1/4" SET CONE PO
27	53.5638.0252	12	EA	SCREW, 6-32 X 1/4"LG PFS UNDERCUT HEAD
28	53.6558.0001	7	EA	SCREW, 6-32 X 3/8" PPZ
29	53.6597.0001	2	EA	SCREW, 4-40 X 3/16" PPZ
30	53.6608.0003	5	EA	SCREW, 6-32 X 3/16"LG PPZ
31	54.2036.0017	1	EA	BELT, TIMING N=150 W=.125 URETHANE/KEVLAR
32	54.2059.0001	4	EA	TIMING BELT, MXL PITCH 150 TOOTH SI/KEVLAR
33	54.2060.0001	1	EA	BELT, TIMING MXL PITCH 165 TOOTH SI/KEVLAR
34	55.2132.0011	4	EA	STANDOFF, 1/4"HEX 6-32 X 1.093"L SS
35	55.2132.0012	4	EA	STANDOFF, 1/4"HEX 6-32 X 0.75"LG SS
36	55.3303.0004	2	EA	WASHER, #4 LOCK INT.TOOTH SS
37	55.3303.0006	6	EA	WASHER, #6 LOCK INT.TOOTH SS
38	55.6503.0004	1	EA	WASHER, #8 FLAT ZINC
39	55.6528.0001	2	EA	WASHER, #6 FLAT ZINC
40	55.2110.0002	2	EA	SPACER, 0.010 LG
-	55.2186.0002	5	EA	CABLE TIE, 0.09WD, 0.375 LG, TEFZEL (not shown)
41	10.9678.0457.06	1	EA	SPACER, COLOR WHEEL, 0.015 L
42	55.6520.0001	2	EA	WASHER, WAVE SPRING, 1/4" DIA (added 05-17-04) (VL3000 only)

Color/Dimmer/Strobe Assembly (continued)

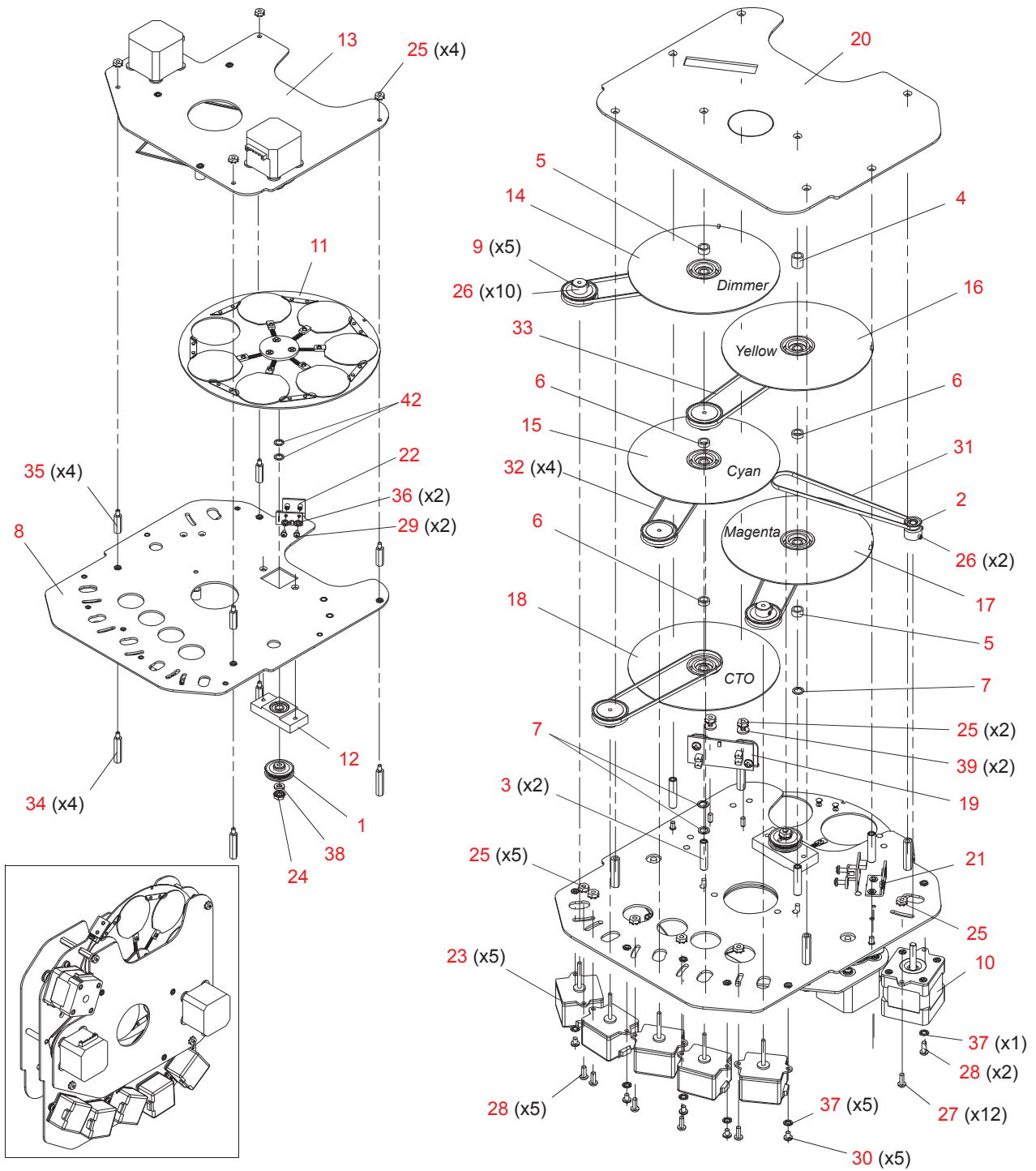


Figure 3-30: Color/Dimmer/Strobe Assembly

Motor/Adapter Plate Assembly

21.9678.0331 Rev 0

Refer to [Figure 3-31](#)

No.	Item	Qty.	UM.	Description
1	10.9678.0330	1	EA	PLATE, MOTOR ADAPTER
2	44.5031.0001	1	EA	MOTOR, STEPPER 42MM X 40MM,10
3	53.6513.0002	4	EA	SCREW, 3MM X 5MM LG PFZ METR

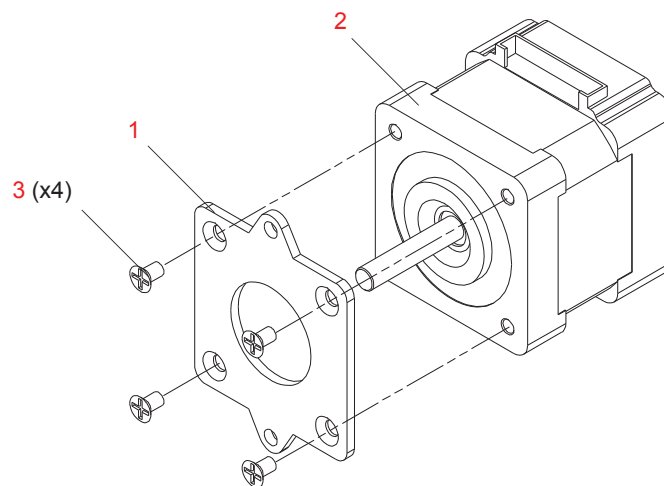


Figure 3-31: Motor/Adapter Plate Assembly

Fixed Color Wheel Assembly

21.9678.0334 Rev D

Refer to [Figure 3-32](#)

No.	Item	Qty.	UM.	Description
1	10.9678.0322	1	EA	SPIN SHAFT, COLOR WHEEL
2	10.9678.0332	6	EA	SLIDING RETAINER
3	10.9678.0333	6	EA	RETAINER CLIP
4	22.9678.1336	1	EA	FAB ASSY, FIXED WHEEL/CLIP (changed 9-03-03)
5	41.9678.0305.01	1	EA	COLOR FILTER, DEEP RED VL3000
6	41.9678.0305.02	1	EA	COLOR FILTER, KELLY GREEN VL3000
7	41.9678.0305.03	1	EA	COLOR FILTER, CONGO BLUE VL3000
8	41.9678.0305.04	1	EA	COLOR FILTER, MAGENTA VL3000
9	41.9678.0305.05	1	EA	COLOR FILTER, ORANGE VL3000
10	41.9678.0305.06	1	EA	COLOR FILTER, DARK FUSHIA VL3000
11	53.6534.0001	6	EA	RIVET, 3/32"OD POP 3/32 GRIP RANGE
12	53.6608.1857	3	EA	SCREW, 6-32 X 3/16"LG PFSS
13	55.2256.0001	1	EA	MAGNET, 2:17 SMCO 2MM X 2MM X 3MM
14	55.6568.0076	6	EA	SPRING, CPRSN 0.120"OD 0.750"LG
15	10.9678.0250	1	EA	MAGNET TAPE

Fixed Color Wheel Assembly (continued)

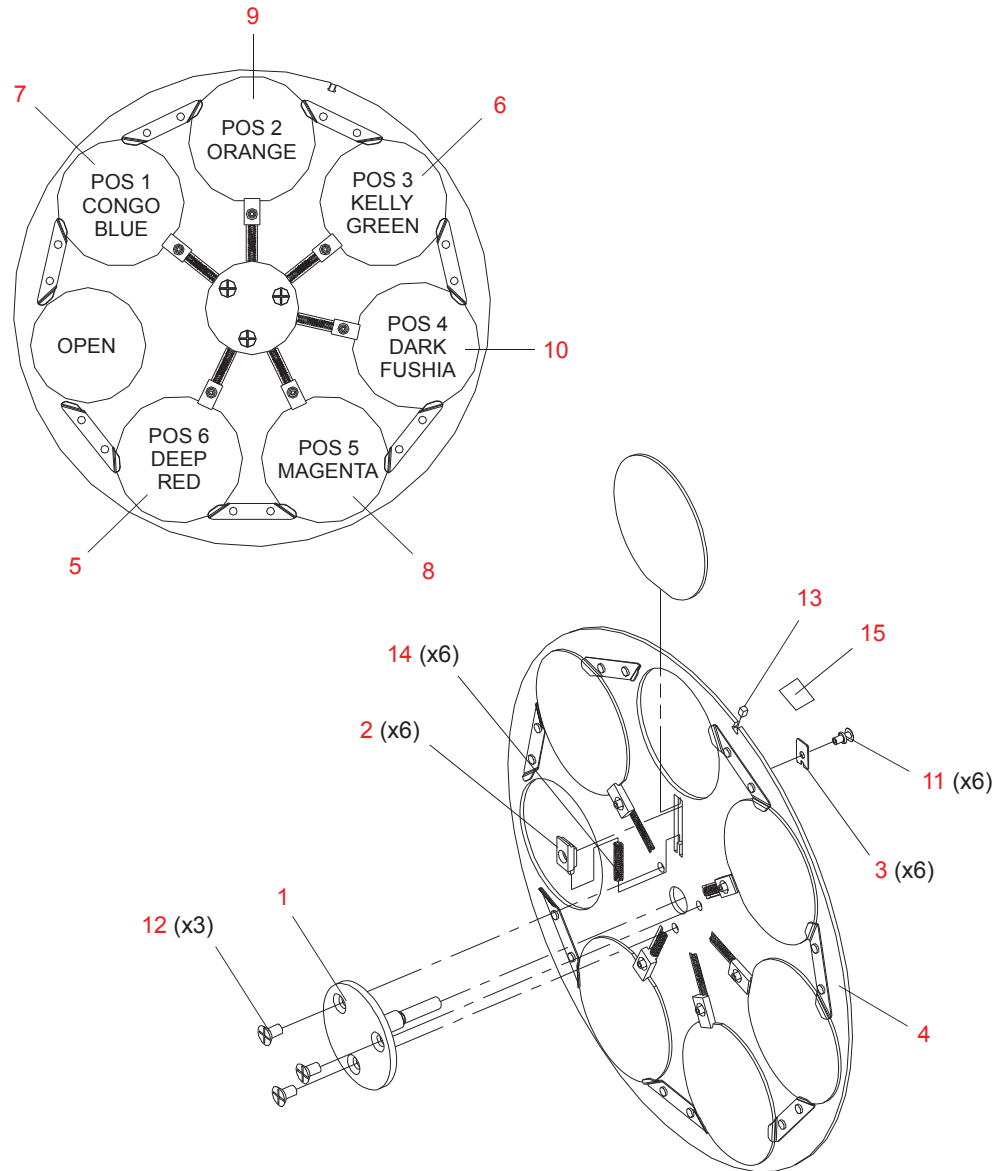


Figure 3-32: Fixed Color Wheel Assembly

Strobe Assembly

22.9678.0403 Rev F

Refer to [Figure 3-33](#)

No.	Item	Qty.	UM.	Description
1	10.9678.0491	4	EA	BUMPER STOP, STROBE (changed on 6-18-03)
2	10.9678.0465	1	EA	STROBE BULKHEAD
3	22.9678.0467	1	EA	ASSY, RIGHT STROBE BLADE
4	22.9678.0468	1	EA	ASSY, LEFT STROBE BLADE
5	44.5029.0001	2	EA	MOTOR, STEPPER 42MM X 34MM -AR
6	53.6513.0032	8	EA	SCREW, M3X10MM SEMS PPZ EXT TO
7	53.6609.0500	4	EA	SCREW, 6-32 X 1/2" LG PFZ
8	55.6659.0001	8	EA	SPACER, 1/4" RND 4 THRU 3/16" AL (changed 03-01-04)
9	55.3306.0006	8	EA	WASHER, 0.375 OD 0.149 ID 0.025 THK SS (changed 08-12-03)
10	55.6706.0001	8	EA	GROMMET, 9/32" ID 9/16" OD 1/4T SILICON RED (changed 03-01-04)

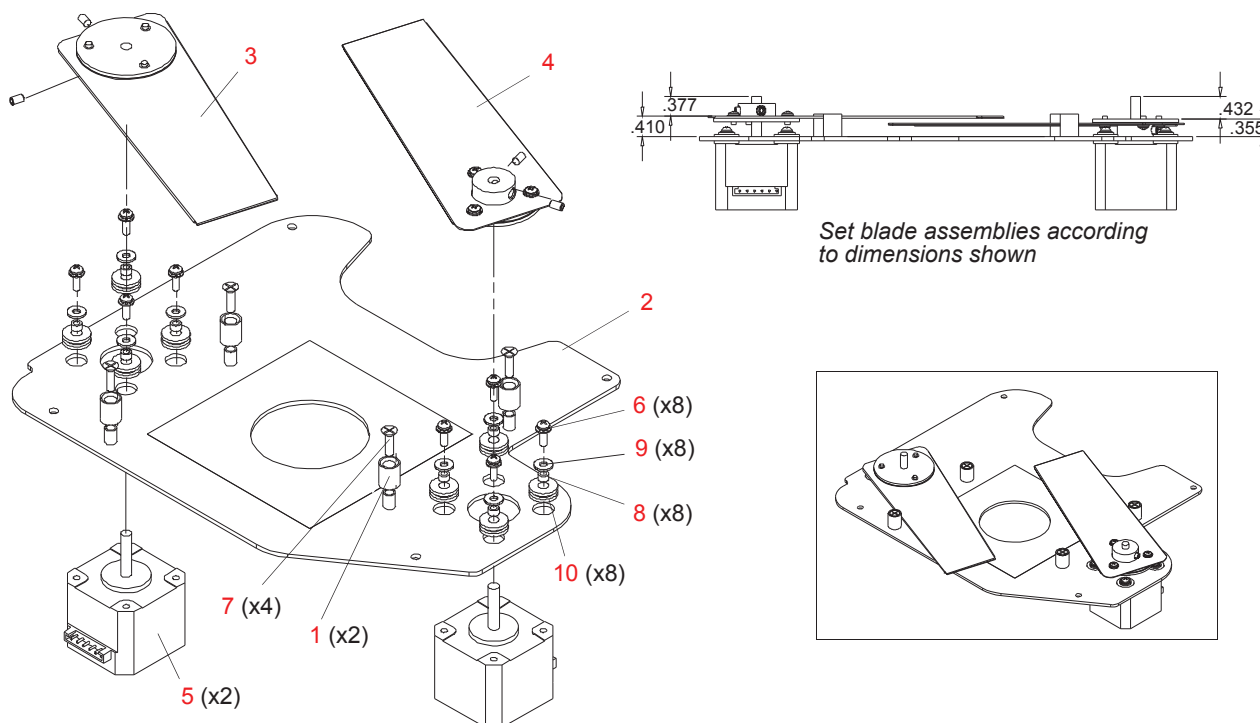


Figure 3-33: Strobe Assembly

Strobe Assembly (VL3000 Quiet)

22.9678.0463 Rev B

Refer to Figure 3-33

No.	Item	Qty.	UM.	Description
1	10.9678.0491	4	EA	BUMPER STOP, STROBE
2	10.9678.0465	1	EA	STROBE BULKHEAD
3	22.9678.0467	1	EA	ASSEMBLY, RIGHT STROBE BLADE
4	22.9678.0468	1	EA	ASSEMBLY, LEFT STROBE BLADE
5	23.9678.0499	2	EA	ASSEMBLY, STROBE MOTOR, VL3000Q
6	53.6520.0001	8	EA	SCREW, #4-40 X 3/8 PPZ
7	53.6609.0500	4	EA	SCREW, 6-32 X 1/2" LG PFZ
8	55.3306.0006	8	EA	WASHER, .375 OD .149 ID .025 THK SS
9	55.6537.0001	8	EA	WASHER, #4 INTERNAL LOCK TOOTH
10	55.6659.0001	8	EA	SPACER, 1/4" RND 4 THRU 3/16" AL
11	55.6706.0001	8	EA	GROMMET, 9/32" ID, 9/16" OD, 1/4" TH SILICONE

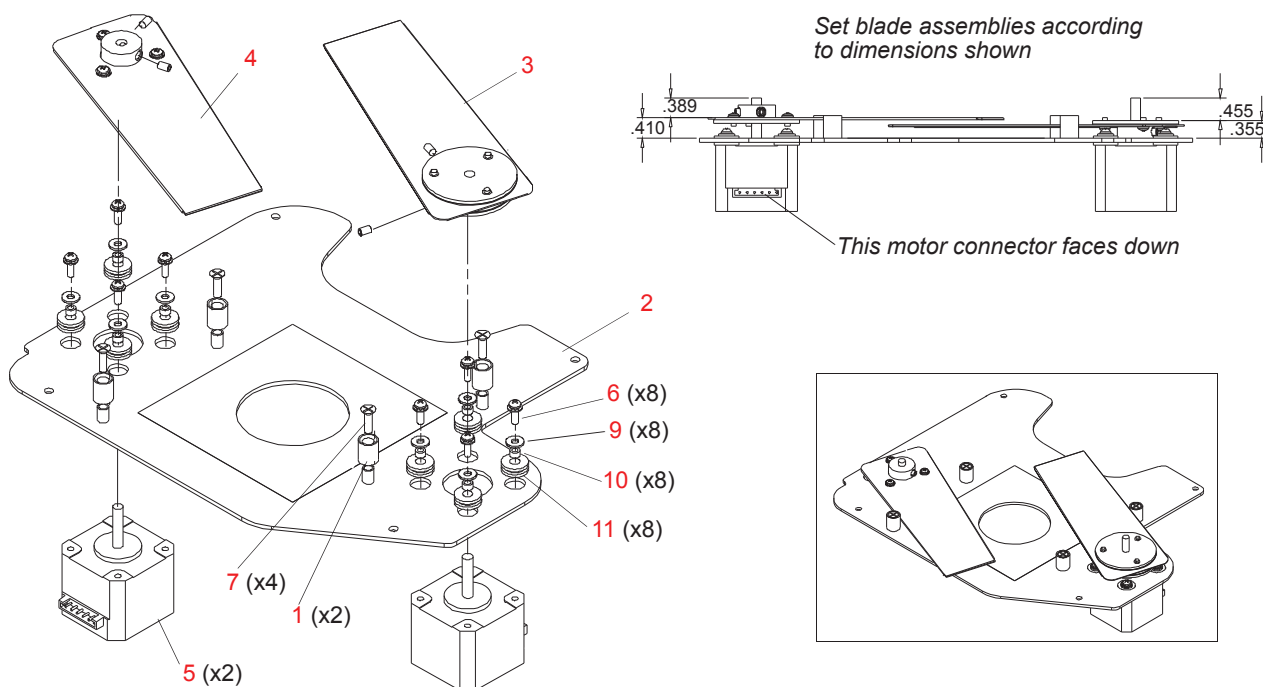


Figure 3-34: Strobe Assembly

Right Strobe Blade Assembly

22.9678.0467 Rev C

Refer to [Figure 3-35](#)

No.	Item	Qty.	UM.	Description
1	10.9678.0464	1	EA	STROBE BLADE (changed 07-29-04)
2	10.9678.0432	1	EA	HUB, STROBE BLADE
3	10.9678.0466	1	EA	STROBE BLADE, DAMPER
4	53.5559.0250	2	EA	SCREW, 6-32 X 1/4" SET CONE POINT
5	53.6597.0001	3	EA	SCREW, 4-40 X 3/16" PPZ
6	55.3303.0004	3	EA	WASHER, #4 LOCK INT. TOOTH SS

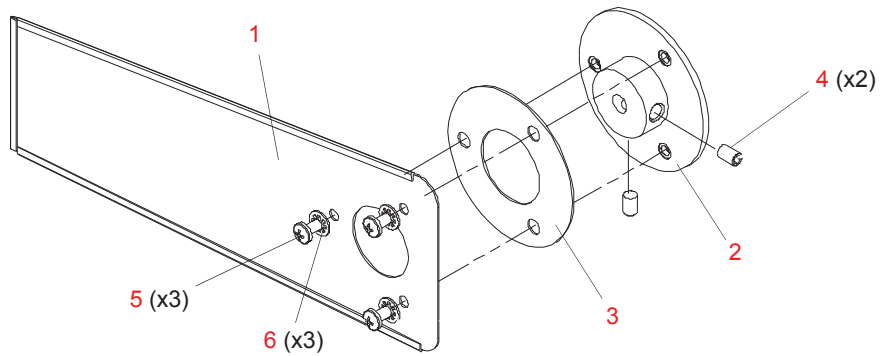


Figure 3-35: Right Strobe Blade Assembly

Left Strobe Blade Assembly

22.9678.0468 Rev C

Refer to [Figure 3-36](#)

No.	Item	Qty.	UM.	Description
1	10.9678.0464	1	EA	STROBE BLADE (changed 07-29-04)
2	10.9678.0432	1	EA	HUB, STROBE BLADE
3	10.9678.0466	1	EA	STROBE BLADE, DAMPER
4	53.5559.0250	2	EA	SCREW, 6-32 X 1/4" SET CONE POINT
5	53.6597.0001	3	EA	SCREW, 4-40 X 3/16" PPZ
6	55.3303.0004	3	EA	WASHER, #4 LOCK INT. TOOTH SS

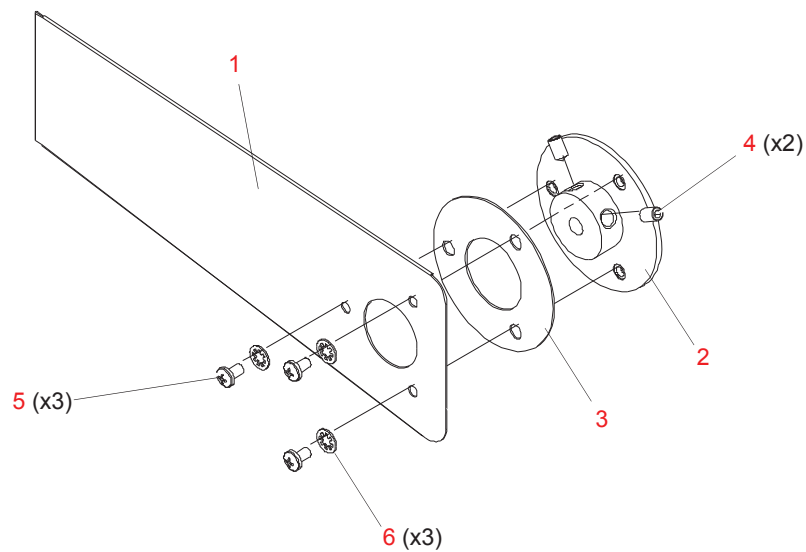


Figure 3-36: Left Strobe Blade Assembly

VL3000Q Strobe Motor Assembly

23.9678.0499 Rev A

Refer to [Figure 3-37](#)

No.	Item	Qty.	UM.	Description
1	44.5035.0001	1	EA	STEPPER MOTOR, 2 PHASE, PK
2	52.6524.0004	1	EA	CONNECTOR, HOUSING, 4 POS RECEPT
3	52.8346.0001	4	EA	CONTACT, 24-30 AWG FEMALE CRIMP
4	55.2200.0003	0.25	FT	HEATSHRINK, 3/16" VITON

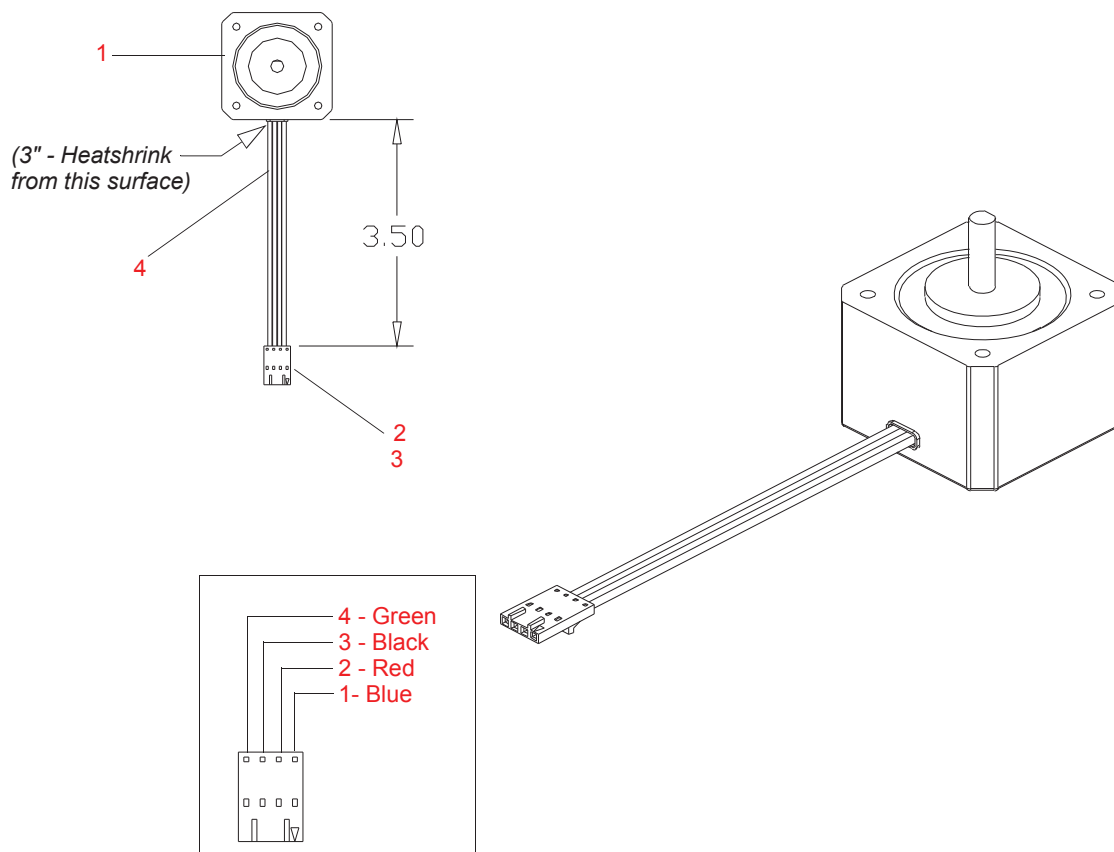


Figure 3-37: VL3000Q Strobe Motor Assembly

Dimmer Wheel Assembly

22.9678.0435 Rev D

Refer to [Figure 3-38](#)

No.	Item	Qty.	UM.	Description
1	22.9678.0420	1	EA	PULLEY ASSY, WITH BEARING
2	41.9678.0494	1	EA	GLASS, COATED DIMMER WHEEL (changed on 01-23-04)
3	55.2256.0001	1	EA	MAGNET, 2:17 SMCO 2MM X 2MM

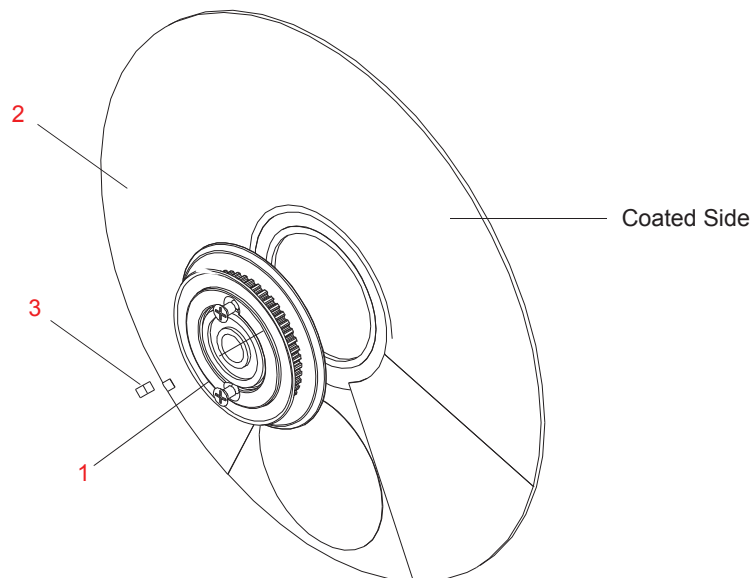


Figure 3-38: Dimmer Wheel Assembly

Cyan Wheel Assembly

22.9678.0472 Rev C

Refer to [Figure 3-39](#)

No.	Item	Qty.	UM.	Description
1	22.9678.0420	1	EA	PULLEY ASSY, WITH BEARING
2	41.9678.0471	1	EA	GLASS, CYAN COLOR WHEEL

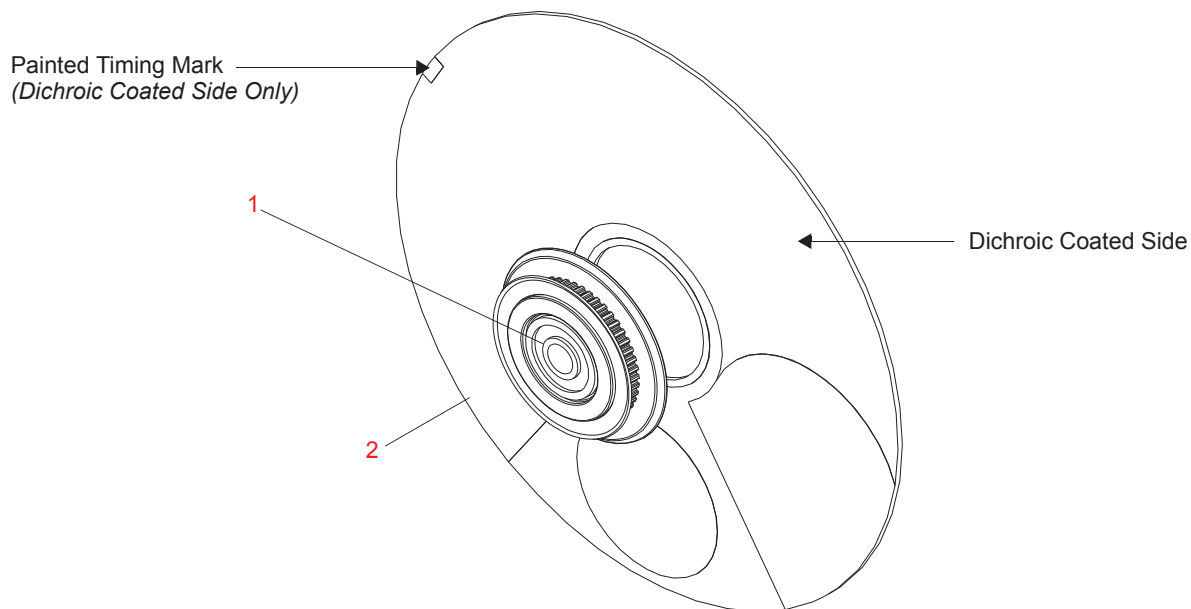


Figure 3-39: Cyan Wheel Assembly

Yellow Wheel Assembly

22.9678.0474 Rev B

Refer to [Figure 3-40](#)

No.	Item	Qty.	UM.	Description
1	22.9678.0420	1	EA	PULLEY ASSY, WITH BEARING
2	41.9678.0473	1	EA	GLASS, YELLOW COLOR WHEEL

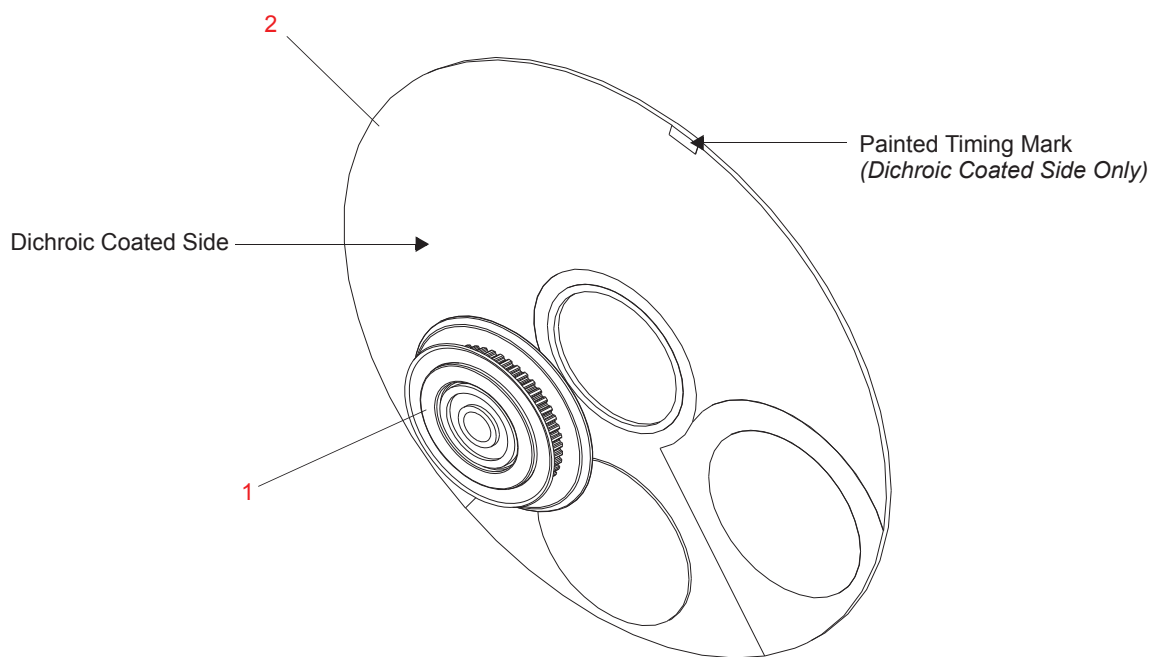


Figure 3-40: Yellow Wheel Assembly

Magenta Wheel Assembly

22.9678.0476 Rev B

Refer to [Figure 3-41](#)

No.	Item	Qty.	UM.	Description
1	22.9678.0420	1	EA	PULLEY ASSY, WITH BEARING
2	41.9678.0475	1	EA	GLASS, MAGENTA COLOR WHEEL

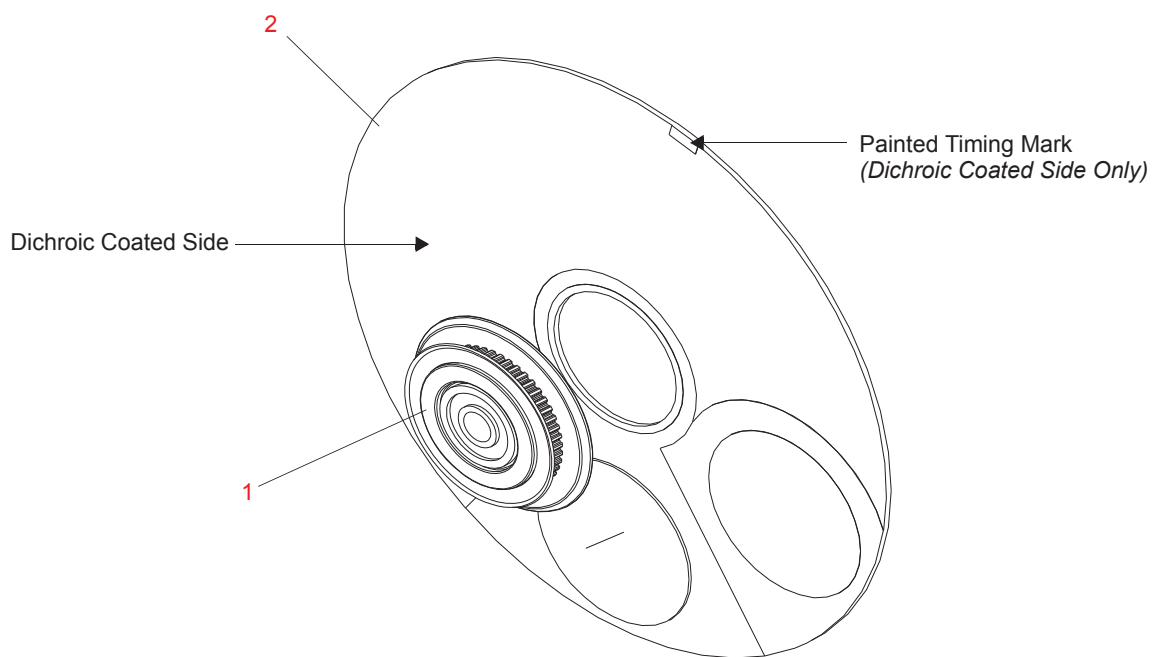
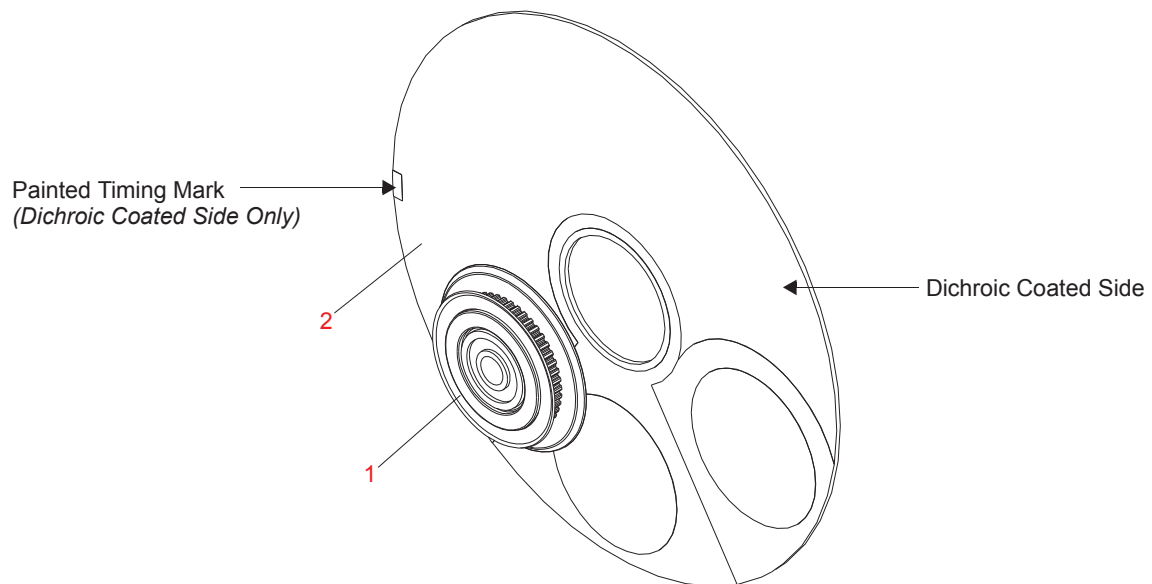


Figure 3-41: Magenta Wheel Assembly

CTO Wheel Assembly**22.9678.0478 Rev B**Refer to [Figure 3-42](#)

No.	Item	Qty.	UM.	Description
1	22.9678.0420	1	EA	PULLEY ASSY, WITH BEARING
2	41.9678.0477	1	EA	GLASS, COATED CTO

**Figure 3-42: CTO Wheel Assembly**

Gobo Clamp Assembly

22.9678.0693 Rev A

Refer to [Figure 3-43](#)

No.	Item	Qty.	UM.	Description
1	12.9678.0691	1	EA	GOBO CLAMP
2	53.6685.0625	2	EA	SCREW, CAPTIVE PANEL, 6-32 X 0.625"LG PPS ZINC PLATED
3	55.6538.0001	2	EA	WASHER, #6 LOCK INTERNAL TOOTH
4	53.6613.1126	1	EA	SCREW, 6-32 X 1.125 LG PPZ

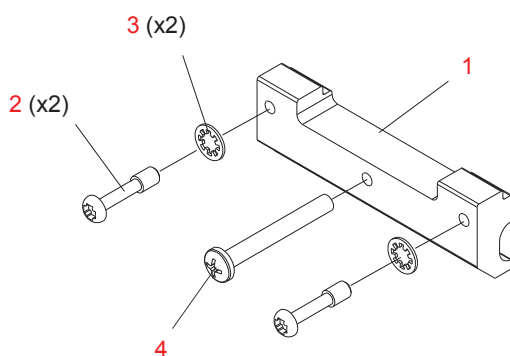


Figure 3-43: Gobo Clamp Assembly

Color Clamp Assembly

22.9678.0694 Rev A

Refer to [Figure 3-44](#)

No.	Item	Qty.	UM.	Description
1	12.9678.0692	1	EA	COLOR CLAMP
2	53.6685.0625	2	EA	SCREW, CAPTIVE PANEL, 6-32 X .625"LG PPS ZINC PLATED
3	55.6538.0001	2	EA	WASHER, #6 LOCK INTERNAL TOOTH
4	53.6613.1126	1	EA	SCREW, 6-32 X 1.125 LG PPZ

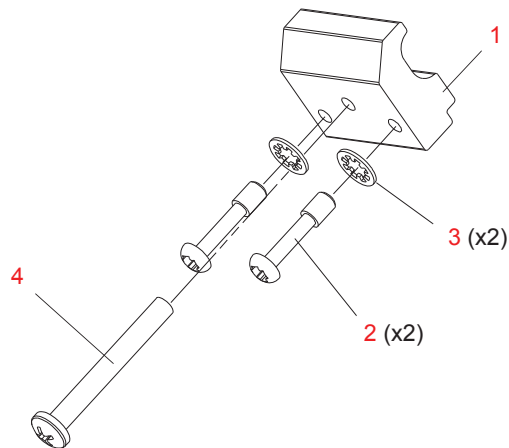


Figure 3-44: Color Clamp Assembly

Edge Lead Screw Assembly

22.9678.1126 Rev B

Refer to [Figure 3-45](#)

No.	Item	Qty.	UM.	Description
1	10.9678.1119	1	EA	LEAD SCREW, EDGE
2	55..6616.0007	1	EA	STANDOFF, 3/8" HEX THRD 0.562" LG

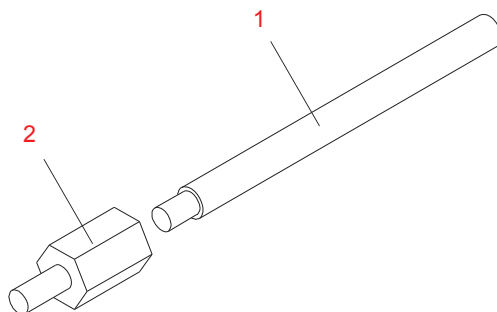


Figure 3-45: Edge Lead Screw Assembly

Beam Spreader Assembly

21.9678.0910 Rev A (Wash Only)

Refer to Figure 3-46

No.	Item	Qty.	UM.	Description
1	10.9678.0945	1	EA	TUBE, WASH LIGHT BAFFLE
2	21.9678.0920	1	EA	ASSY, CONCAVE LENS STATIONARY
3	21.9678.0930	1	EA	ASSY, CONVEX LENS TRANSLATING
4	21.9678.0940	1	EA	ASSY, CONDENSER LENS
5	24.9678.3916	1	EA	PCB ASSY, ZOOM INTERCONNECT WASH
6	53.6520.0375	4	EA	SCREW, 4-40 X 3/8" PPZ SEMS
7	53.6682.0022	2	EA	SCREW, 8-32 X 3/8" PPZ
8	53.6558.0009	4	EA	SCREW, 6-32 X 3/8" PPZ

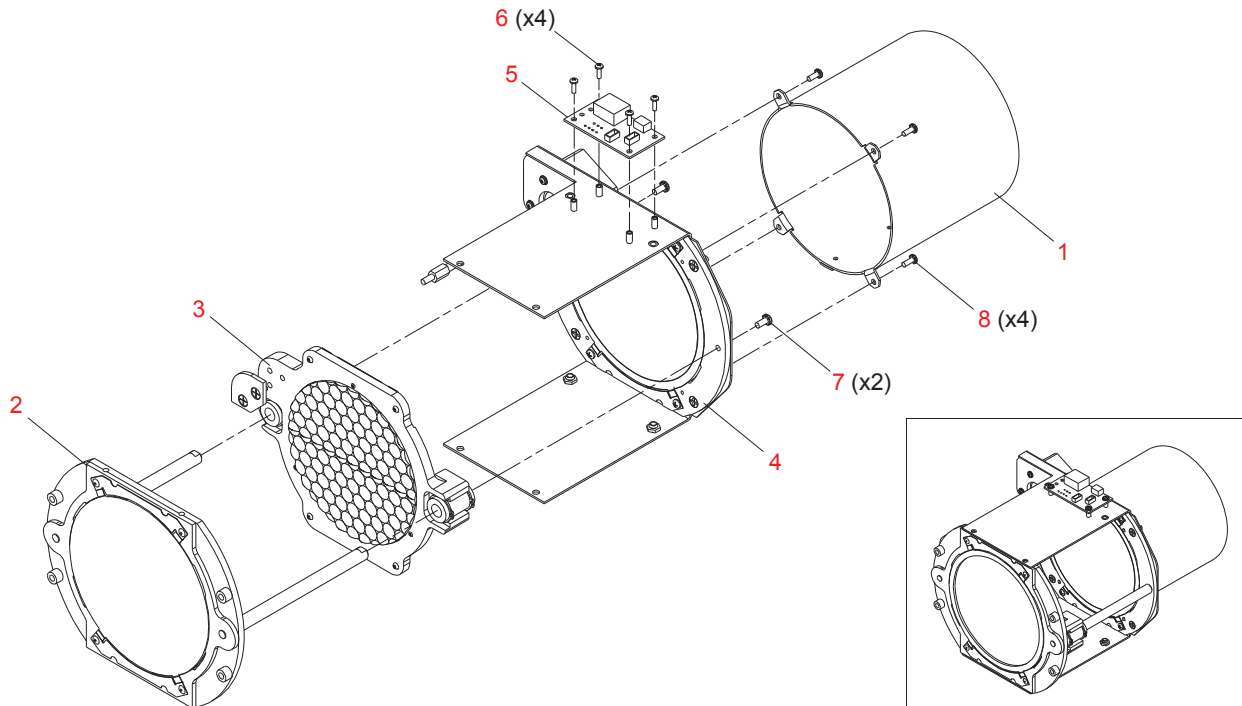


Figure 3-46: Beam Spreader Assembly

Stationary Concave Lens Assembly

21.9678.0920 Rev A (Wash Only)

Refer to [Figure 3-47](#)

No.	Item	Qty.	UM.	Description
1	10.9678.0927	2	EA	BEARING SHAFT, BEAM SPREADER
2	10.9678.0928	2	EA	LENS CLAMP, BEAM SPREADER
3	12.9678.0168	1	EA	MASKED, CONCAVE LENS ARRAY MEDIUM
4	12.9678.0925	1	EA	CONCAVE LENS MOUNT, MACHINED
5	42.9678.1169	1	EA	DIFFUSION LENS, FRONT, WASH
6	53.6530.0002	4	EA	RIVET, 1/8"OD POP .063-.125 GR.LENGTH

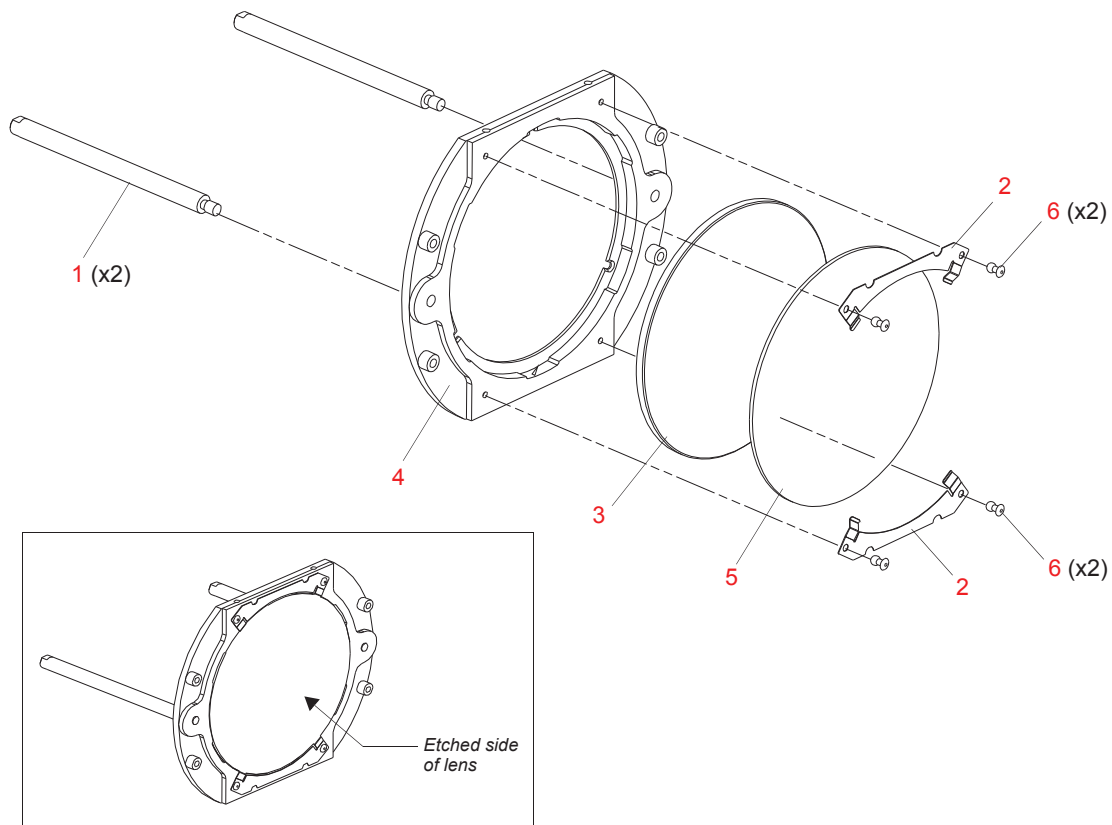


Figure 3-47: Stationary Concave Lens Assembly

Translating Convex Lens Assembly

21.9678.0930 Rev B (Wash Only)

Refer to Figure 3-48

No.	Item	Qty.	UM.	Description
1	10.9678.0936	1	EA	STOP, BEAM SPREADER
2	10.9678.0938	2	EA	LENS CLAMP, CONVEX
3	12.9678.0166	1	EA	MASKED, CONVEX LENS ARRAY MEDIUM
4	12.9678.0939	1	EA	CONVEX LENS MOUNT, MACHINED, ADJUSTABLE
5	53.6515.0375	4	EA	SCREW, 10-32 X 3/8" LG SCB
6	53.6545.0003	2	EA	SCREW, 8-32 X 3/8" PFZ
7	54.2056.0001	4	EA	RING, RETAINING EXTERNAL, 19MM SHAFT
8	55.2114.0001	4	EA	WASHER, LOCK, #10 INTERNAL TOOTH
9	55.6776.0010	2	EA	LINEAR BUSHING, 10MM STEEL W/ PHENOLIC CAGE

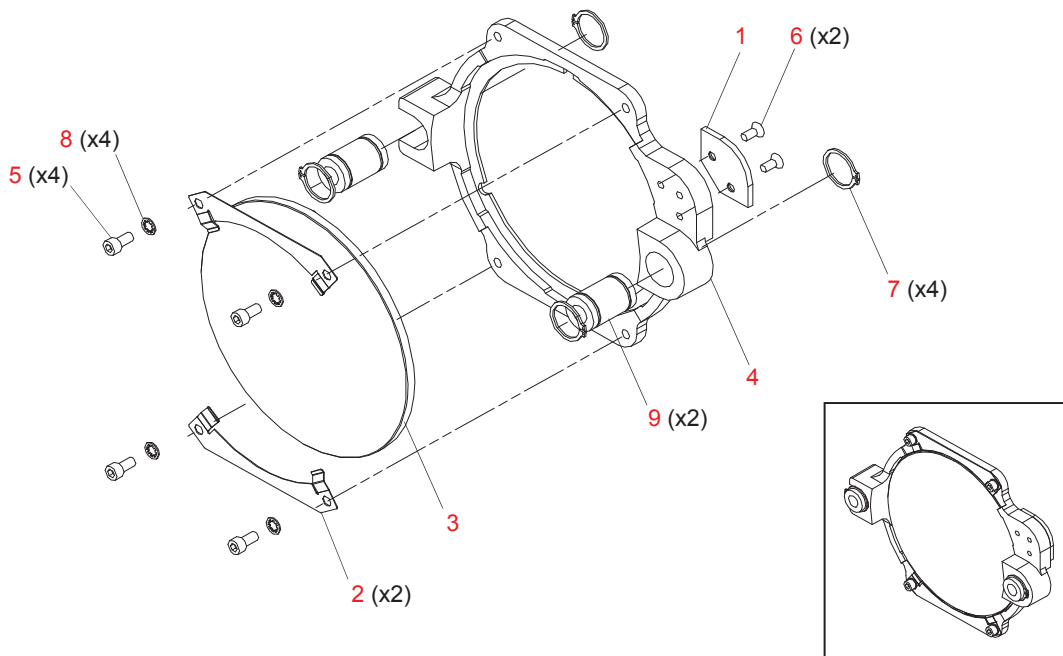


Figure 3-48: Translating Convex Lens Assembly

Condenser Lens Assembly

21.9678.0940 Rev C (Wash Only)

Refer to [Figure 3-49](#)

No.	Item	Qty.	UM.	Description
1	10.9678.0928	2	EA	LENS CLAMP, BEAM SPREADER
2	10.9678.0941	1	EA	HOUSING, BEAM SPREADER
3	10.9678.0942	1	EA	LEAD SCREW, BEAM SPREADER
4	10.9678.0944	1	EA	CONDENSER LENS MOUNT
5	23.9678.1120	1	EA	LINEAR ACTUATOR ASSEMBLY
6	42.9678.0174	1	EA	127MM CONDENSER LENS
7	53.6552.0001	4	EA	SCREW, 8-32 X 1/2" PFZ
8	53.6596.0002	4	EA	SCREW, 4-40 X 5/16" PPZ SEMS (changed 3-03-04)
9	53.6613.0008	4	EA	SCREW, 6-32 X 1/2" PPZ SEMS (changed 3-03-04)
10	55.6616.0007	1	EA	STANDOFF, 3/8" HEX 8-32 0.562" LG MF SS (changed 8-04-03)

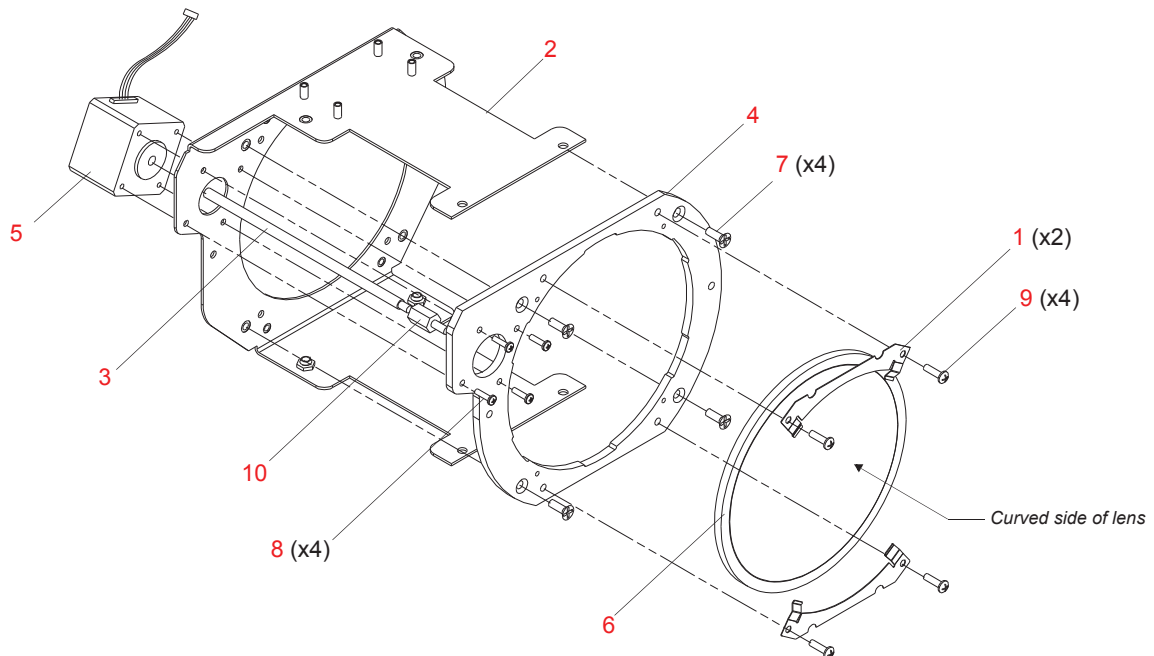


Figure 3-49: Condenser Lens Assembly

Aperture Bulkhead Assembly

21.9678.0950 Rev B (Wash Only)

Refer to [Figure 3-50](#)

No.	Item	Qty.	UM.	Description
1	10.9678.0225	2	EA	SHAFT, GOBO WHEEL
2	10.9678.0952	1	EA	WASH BULKHEAD
3	10.9678.0953	1	EA	WASH APERTURE PLATE
4	53.6609.0001	4	EA	SCREW, 6-32 X 3/8" PFZ (changed 11-11-03)
5	53.6613.0001	4	EA	SCREW, 6-32 X 1/2" PPZ
6	55.2150.0002	2	EA	STANDOFF, 1/4"HEX 6-32 1.187"L
7	55.6769.0004	3	EA	TWIST-LOK, 0.55"ID NOM WHITE 85 DEG C MAX FLAME RET NYL
8	53.5638.0252	2	EA	SCREW, 6-32 X 1/4" PFZ UNDERCUT HD

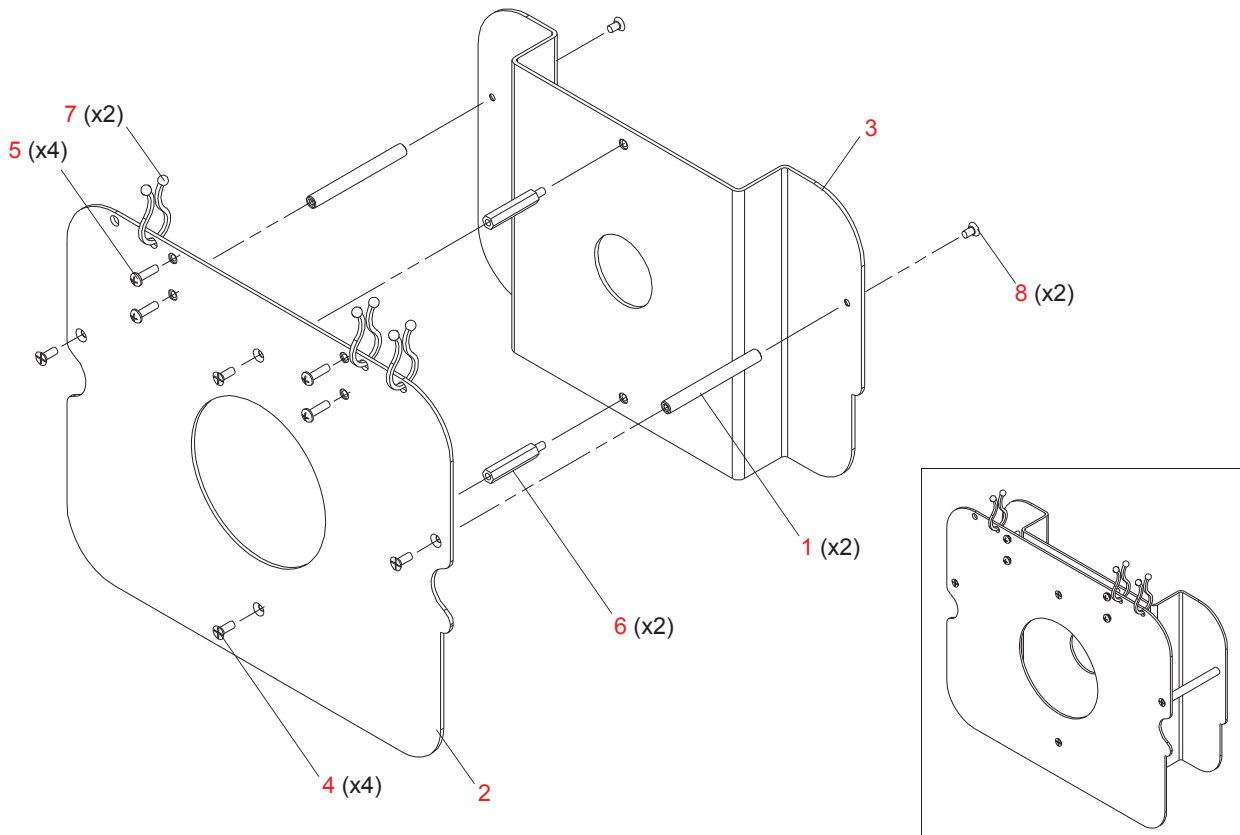


Figure 3-50: Aperture Bulkhead Assembly

Beam Spreader Light Baffle Assembly

21.9678.0991 Rev A (Wash Only)

Refer to [Figure 3-51](#)

No.	Item	Qty.	UM.	Description
1	10.9678.0658	8	EA	PLATE, COUNTERWEIGHT
2	10.9678.0990	1	EA	LIGHT BAFFLE, BEAM SPREADER
3	53.6616.0001	4	EA	SCREW, 6-32 X 3/4" PPZ

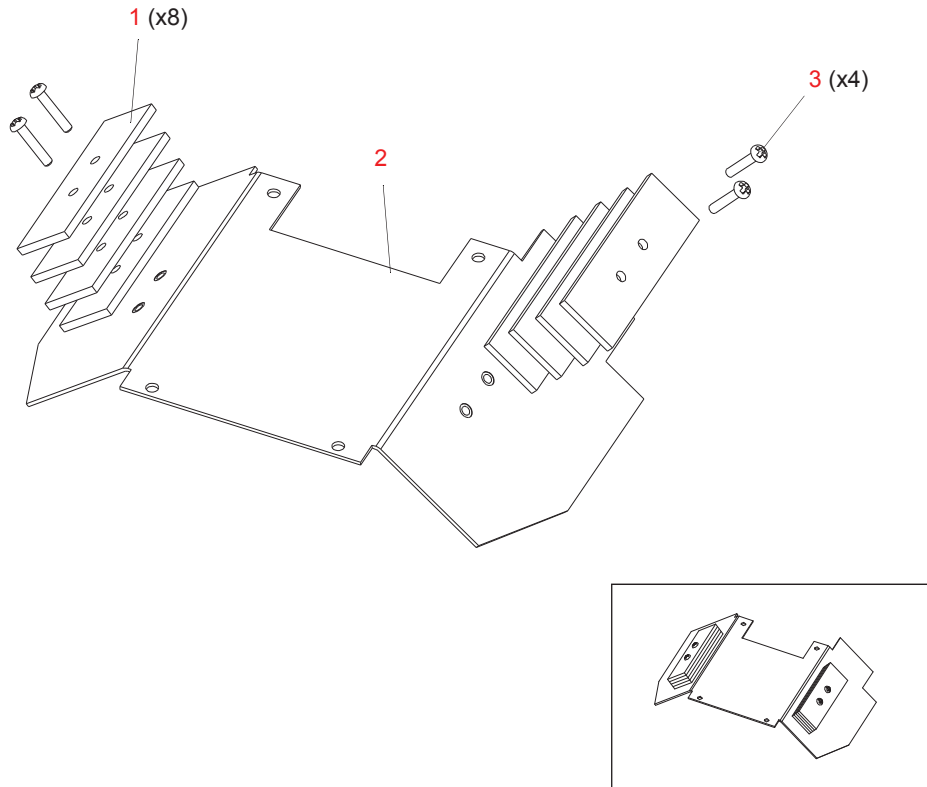


Figure 3-51: Beam Spreader Light Baffle Assembly

Yoke Assembly

Yoke Assembly

21.9678.0700 Rev J

21.9678.0701 Rev B (VL3000 Quiet)

Refer to [Figure 3-52](#)

No.	Item	Qty.	UM.	Description
1	10.9678.0764	1	EA	PLATE, TILT ENCODER MOUNT
2	10.9678.0756	1	EA	IGNITOR SHIELD
3	21.9678.0765	1	EA	ASSY, TILT MOTOR
4	22.9661.0609	2	EA	ASSY, YOKE FAN
	22.9678.0609	2	EA	ASSY, YOKE FAN, VL3000 QUIET
5	22.9686.0705	1	EA	ASSY, YOKE STRUCTURE
6	23.9650.3327	1	EA	ELEC ASSY, RELAY
7	23.9661.1253	1	EA	ELEC ASSY, TILT EOT SENSOR
8	24.9661.3126	1	EA	PCB ASSY, SOLID STATE IGNITOR
-	25.9661.1526	2	EA	CABLE ASSY, IGNITOR TO RELAY (NOT SHOWN)
-	25.9678.0681	1	EA	CABLE ASSY, YOKE FAN AND RELAY (NOT SHOWN)
-	25.9678.0781	1	EA	CABLE ASSY, YOKE FAN AND RELAY, VL3000 QUIET (NOT SHOWN)
-	25.9678.0758	1	EA	CABLE ASSY, YOKE FAN (NOT SHOWN)
-	25.9678.0759	1	EA	CABLE ASSY, YOKE FAN, VL3000 QUIET (NOT SHOWN)
9	53.2019.0004	2	EA	NUT, 3/8-16 X 7/32" THK HEX
10	53.2200.0006	1	EA	NUT, 6-32 KEPS SS
11	53.5634.0250	8	EA	SCREW, 4-40 X 1/4" PFSS BL
12	53.6539.0001	2	EA	WASHER, 3/8" SPLIT LOCK
13	53.6558.0009	12	EA	SCREW, 6-32 X 3/8" LG PPZ SEM
14	53.6626.0001	6	EA	SCREW, 10-32 X 1/2" PPZ
15	53.6634.0003	2	EA	SCREW, 3/8-16 X 1/2" LG SOC
16	55.2150.0002	1	EA	STANDOFF, 1/4" HEX 6-32 1.187"L
17	55.2178.0001	1	EA	CABLE ANCHOR MOUNT, #8 SCREW MOUNT
18	55.6528.0001	2	EA	WASHER, #6 FLAT ZINC
19	55.6541.0002	2	EA	GROMMET, 1 "ID 1 3/4" OD 1 3/8 GROOVE DIA
20	55.6568.0074	2	EA	SPRING, CPRSN .420" OD .750" LG
21	55.6658.0004	2	EA	STANDOFF, 1/4" HEX 6-32 .750" LG, F-F, AL (changed 05-27-03)

Yoke Assembly (cont.)

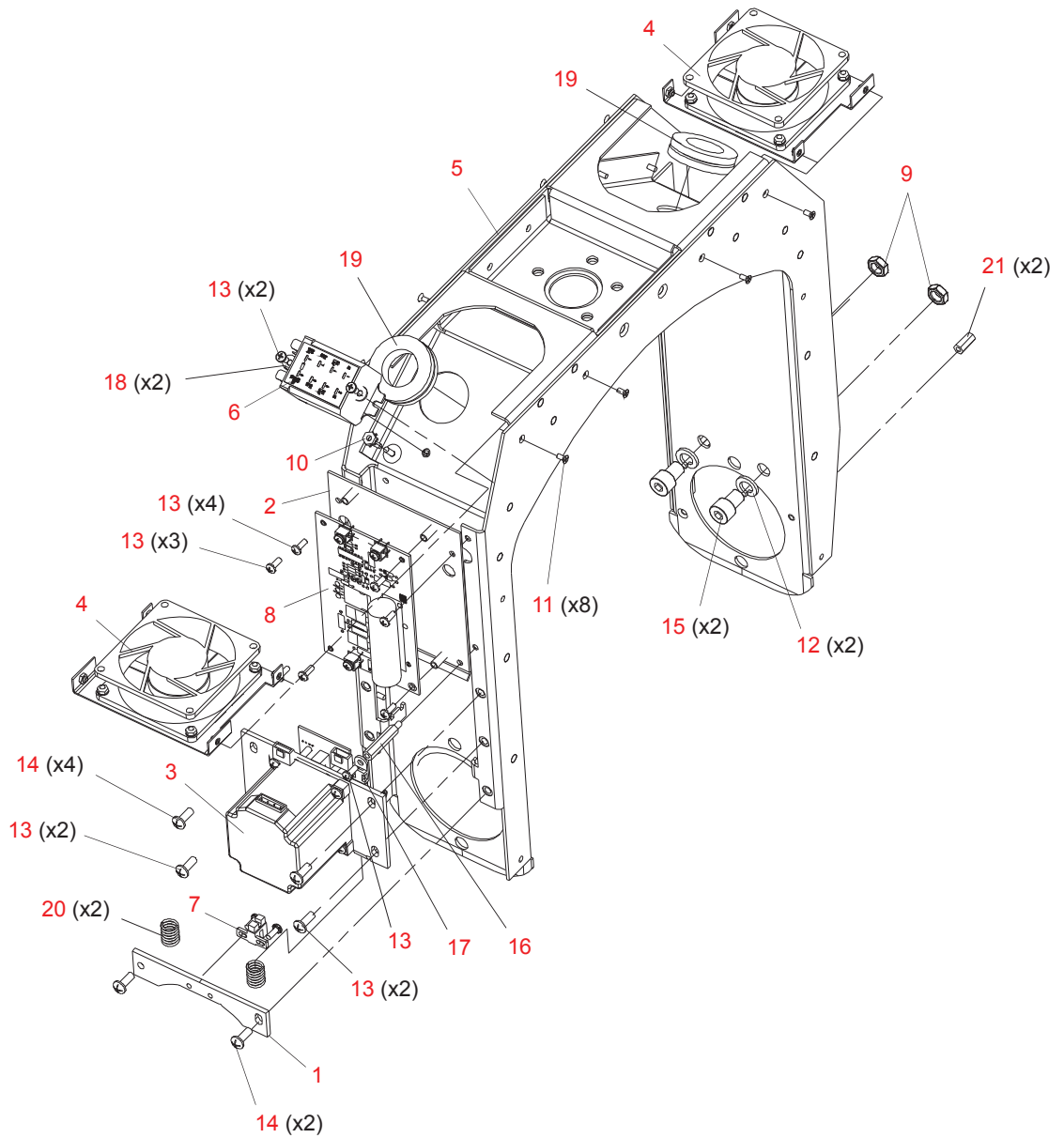


Figure 3-52: Yoke Assembly

Tilt Motor Assembly

21.9678.0765 Rev E

Refer to [Figure 3-53](#)

No.	Item	Qty.	UM.	Description
1	10.9678.0763	1	EA	PLATE, TILT MOTOR MOUNT
2	21.9678.0708	1	EA	ASSY, DRIVE PULLEY
	- 10.9678.8720	1	EA	CODEWHEEL, 120 COUNT LARGE ID (changed 10-05-06)
	- 10.9678.0749	1	EA	TIMING PULLEY, 2MM GT 17 TOOTH
	- 53.5560.0250	2	EA	SCREW, 8-32 X 1/4" SET CONE POINT
3	24.9661.9629	1	EA	PCB ASSY, PAN/TILT ENCODER (changed 02-22-06)
4	44.9678.0680	1	EA	MOTOR, 3 PHASE SIZE 23 HIGH TORQUE
5	53.2200.0006	2	EA	NUT, 6-32 KEPS SS
6	53.2200.0008	4	EA	NUT, 8-32 KEPS SS
7	53.6525.0001	2	EA	SCREW, 6-32 X 5/16" PPZ
8	53.6546.0001	4	EA	SCREW, 8-32 X 5/8" PPB
9	53.6682.0002	2	EA	SCREW, 4-40 X 1/4"LG PPZ SEMS-EXT
10	55.2204.0001	A/R	EA	WASHER, #4 NYLON (added 02-22-06)

Note: Vari-Lite recommends that this motor be replaced as a complete assembly. Although you can replace only the motor, the pulley (Item 2) is bonded to the motor shaft during assembly and cannot be removed intact. If you order a replacement motor (Item 4), also order the pulley (Item 2). Contact Vari-Lite Customer Service for installation information.

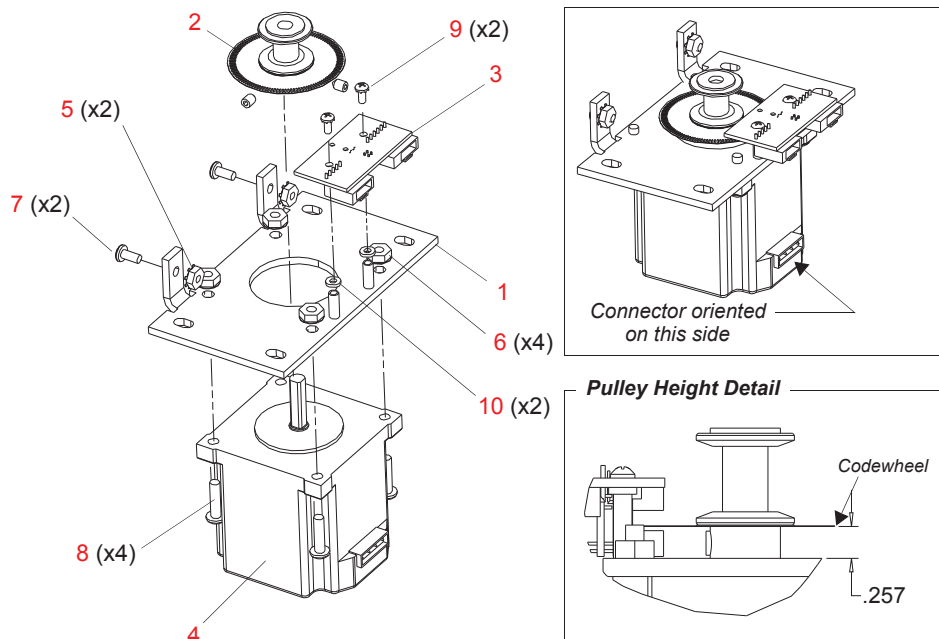


Figure 3-53: Tilt Motor Assembly

Relay Electrical Assembly

23.9650.3327 Rev B

Refer to [Figure 3-54](#)

No.	Item	Qty.	UM.	Description
1	04.9650.0044	1	EA	LABEL, RELAY WIRING -VL7
2	52.8271.0005	2	EA	RECEPT, FASTON 1/4" 16-14 AWG INSULATED
3	66.4510.0002	1	EA	RELAY, 20A 250VAC DPDT UL/CSA
4	82.4307.4002	1	EA	DIODE, 1N4002 RECTIFIER 100V 1A

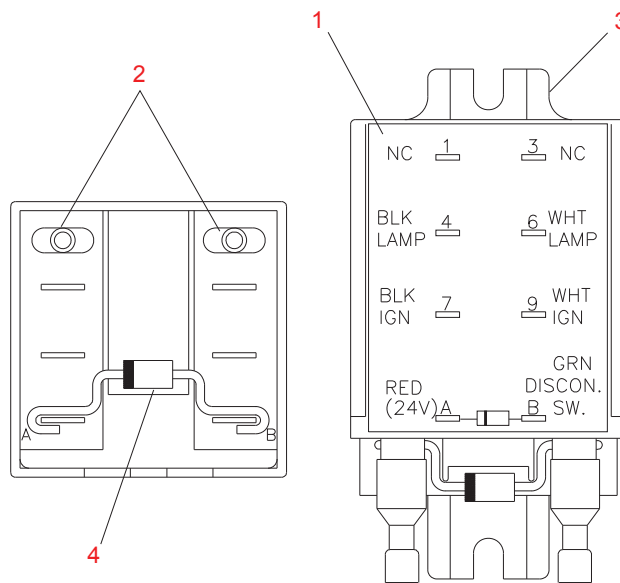


Figure 3-54: Relay Electrical Assembly

Yoke Fan Assembly

22.9661.0609 Rev C

22.9678.0609 Rev A (VL3000 Quiet)

Refer to [Figure 3-55](#)

No.	Item	Qty.	UM.	Description
1	10.9661.0646	1	EA	FAN TRAY
2	40.7113.0001	1	EA	FAN, +24V 80 X 80 X 25MM, 32CFM
3	53.2200.0006	1	EA	NUT, 6-32 KEPS SS
4	55.2179.0003	1	EA	CABLE SADDLE, .75 X .75 4WAY, VL3000 QUIET (NOT SHOWN)
5	55.2186.0001	1	EA	CABLE TIE, .10 WD X 4" LG, VL3000 QUIET (NOT SHOWN)

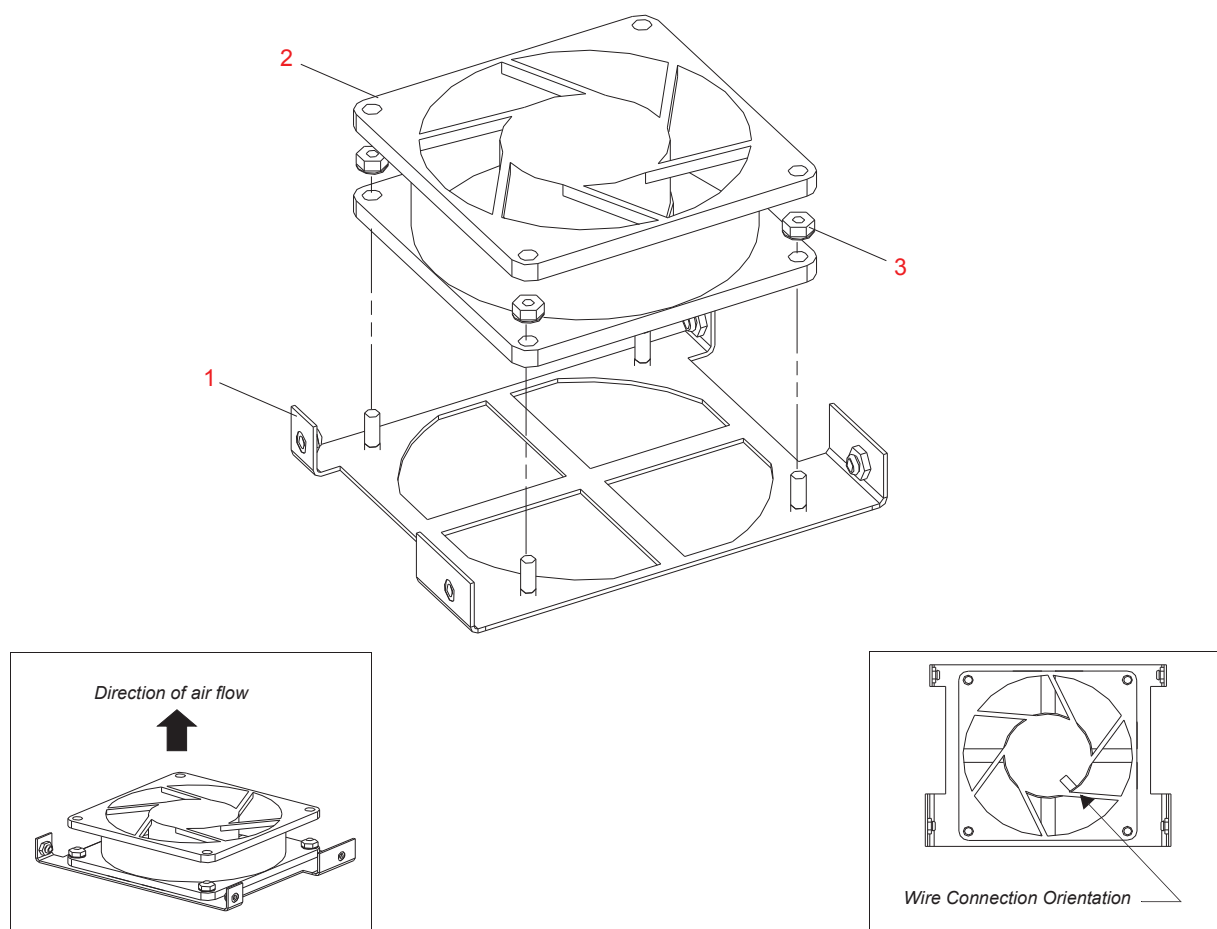


Figure 3-55: Yoke Fan Assembly

Notes

Head/Yoke PCB Assemblies

Color Sensor PCB #1 Mount Assembly

22.9678.0481 Rev B

Refer to [Figure 3-56](#)

No.	Item	Qty.	UM.	Description
1	10.9678.0482	1	EA	PCB MOUNT, COLOR SENSOR #1
2	24.9678.3480	1	EA	PCB ASSY, VL3000 COLOR SENSOR #1
	- 17.9678.3480	1	EA	PCB, COLOR SENSOR #1
	- 52.6447.0012	1	EA	HEADER, SHROUDED 7 PIN
	- 86.7002.0005	2	EA	SWITCH, SLOTTED OPTICAL OPB6
3	53.6558.0001	2	EA	SCREW, 6-32 X 3/8" PPZ
4	55.3303.0006	2	EA	WASHER, #6 LOCK INT.TOOTH SS

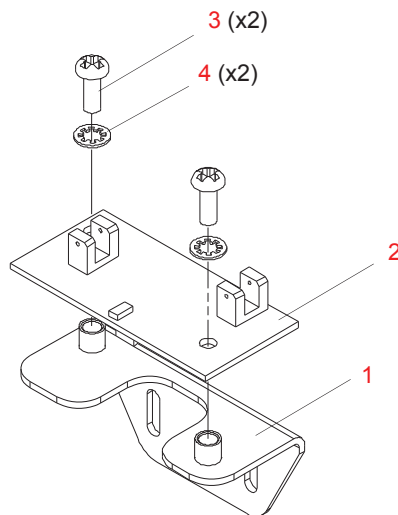


Figure 3-56: Color Sensor #1 PCB Mount Assembly

Color Sense PCB #2 Mount Assembly

22.9678.0489 Rev B

Refer to [Figure 3-57](#)

No.	Item	Qty.	UM.	Description
1	10.9678.0452	1	EA	PCB MOUNT, COLOR SENSE #2
2	24.9678.3454	1	EA	PCB ASSY, COLOR SENSOR #2
	- 11.9678.0454	1	EA	PCB, COLOR SENSOR #2
	- 52.6447.0010	1	EA	HEADER, SHROUDED 5 POSITION
	- 86.7002.0005	2	EA	SWITCH, SLOTTED OPTICAL OPB6
3	53.6558.0007	2	EA	SCREW, 6-32 X 1/4" SEMS

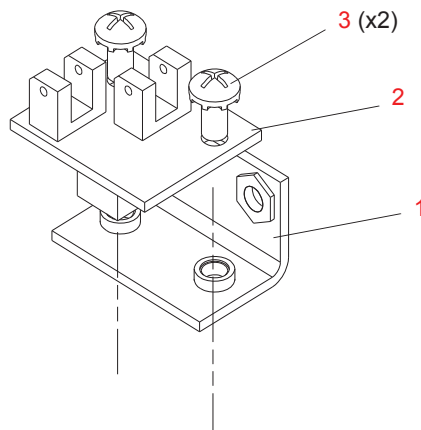
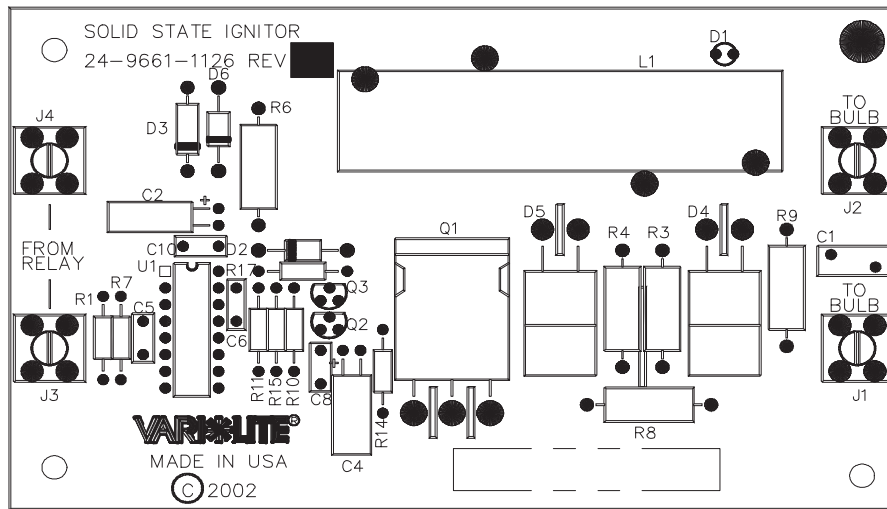


Figure 3-57: Color Sense PCB #2 Mount Assembly

Solid State Ignitor PCB**24.9661.3126 Rev 0**Refer to [Figure 3-58](#)

Ref.	Item	Qty.	UM.	Description
-	11.9661.1126	1	EA	PCB, SOLID STATE IGNITOR
J1, J2, J3, J4	52.8218.0003	4	EA	TERM, PC, 6-32 SCREW
-	53.6690.0001	4	EA	SCREW, 6-32 X 1/4" PPMS NICKELP
R11	60.1232.6493	1	EA	RES, 1/4W 1% 6.49 K MF
R14	60.1443.1007	1	EA	RES, 1/4W 5% 10.0 OHM
R1	60.1436.5104	1	EA	RES, 1/4W 5% 51.0 K CF
R7	60.1437.1205	1	EA	RES, 1/4W 5% 120.0 K CF
R15	60.1438.2001	1	EA	RES, 1/4W 5% 2.0 K CF
R17	60.1439.1005	1	EA	RES, 1/4W 5% 10.0 K CF
R10	60.1441.1003	1.	EA	RES, 1/4W 5% 100.0 K CF
R6	60.1445.5104	1	EA	RES, W5% 51K OHM METAL OXIDE
R8, R9	60.1445.5600	2	EA	RES, 1W 5% 5.6 OHM MET O
R3, R4	60.1445.8205	2	EA	RES, 1W 5% 820K OHM METAL OXIDE
C6	62.3039.2101	1	EA	CAP, 100PF 200V RAD CER 10% COG
C5	62.3039.2330	1	EA	CAP, 330PF 200V RAD CER 5% COG
C8	62.3040.0104	2	EA	CAP, 0.1UF 50V RAD CER 20% Z5U
C1	62.3041.0102	1	EA	CAP, 1000PF 3KV 10% RAD CER DISC X7R
C2	62.3045.0106	1	EA	CAP, 10UF 50V RAD ALUM 4 X 11 MM 20%
C4	62.3045.0475	1	EA	CAP, 4.7UF 50V RAD ALUM 5 X 11 MM 20%
L1	68.9661.1126	1	EA	COIL, IGNITOR SOLID STATE
D1	71.2564.0002	1	EA	LIGHT, NEON STANDARD BRIGHTNESS
Q2	80.2623.0002	1	EA	TRANSISTOR, 2N4401 NPN 40V 600
Q3	80.2623.0004	1	EA	TRANSISTOR, 2N4403 PNP 40V 600
Q1	80.2657.0002	1	EA	TRANSISTOR, BIMOSFET IXBH16N17
D3	82.4333.4937	1	EA	DIODE, 1N4937 FAST 600V 1A
D4, D5	82.4332.0002	2	EA	DIODE, MUR8100E 1000V 8A
D2	82.5351.0002	1	EA	DIODE, ZENER 20V 1W 5% DO-41
D6	82.5373.0002	1	EA	DIODE, 1N5955B ZENER 180V 3W
U1	83.3212.0002	1	EA	IC, MC14536B PROGRAMMABLE TIMER DIP 16

Solid State Ignitor PCB (continued)



VIEWED FROM COMPONENT SIDE

Figure 3-58: Solid State Ignitor PCB

Wheel Position Sensor PCB Assembly

24.9678.3240 Rev 0

Refer to [Figure 3-59](#)

No.	Item	Qty.	UM.	Description
1	17.9678.3240	1	EA	PCB, WHEEL POSITION SENSOR
2	52.6447.0008	1	EA	HEADER, SHROUDED 3 POSITION

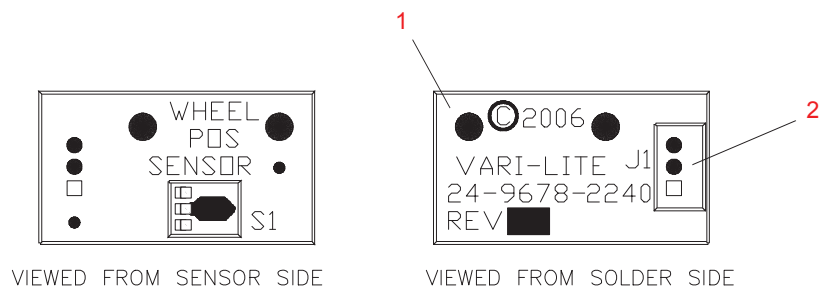


Figure 3-59: Wheel Position Sensor PCB Assembly

VL3000 Controller PCB

24.9678.3730 Rev 0

This item is only available as an assembly.

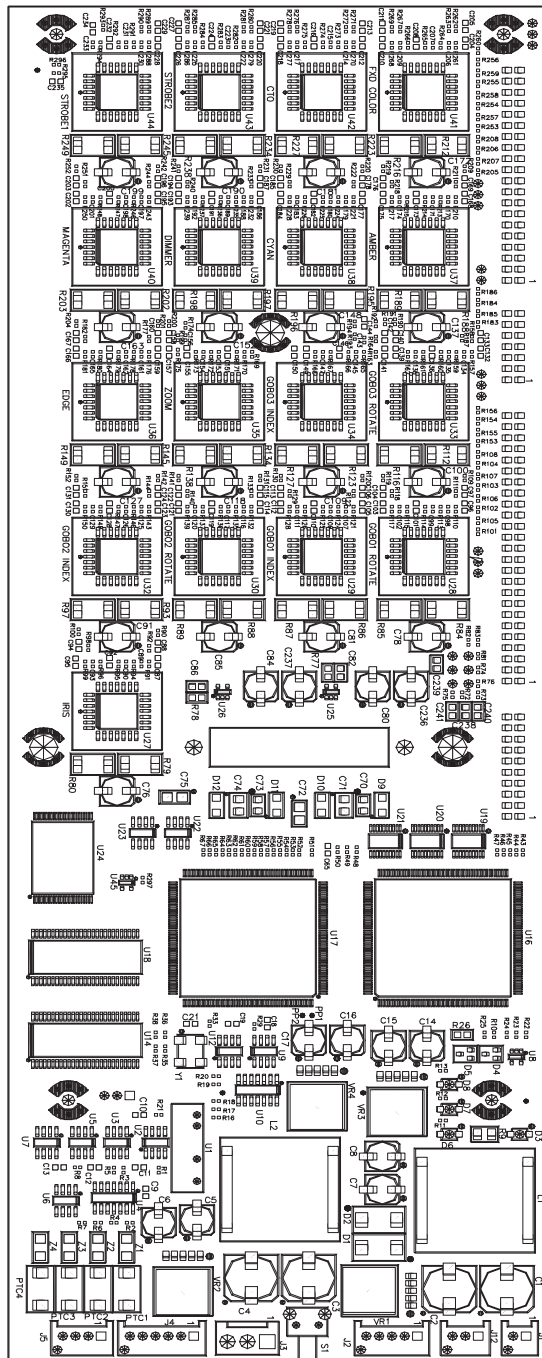


Figure 3-60: VL3000 Controller PCB

Wash Zoom Interconnect PCB Assembly

24.9678.3916 Rev 0 (Wash Only)

Refer to [Figure 3-61](#)

Ref.	Item	Qty.	UM.	Description
-	11.9678.1116	1	EA	PCB ZOOM INTERCONNECT
J3	52.6259.0008	1	EA	HDR 4POS NT/MTA100 SD RT ANG
J4	52.6260.0015	1	EA	HEADER, 2POS MTA-100 SHROUDED
J2	52.6447.0009	1	EA	HEADER, SHROUDED 4 POSITION
J1	52.6598.0029	1	EA	HDR 14P 2ROW AMP MODU R/A
R1	60.1440.2703	1	EA	RES, 1/4W 5% 270.0 OHM CF

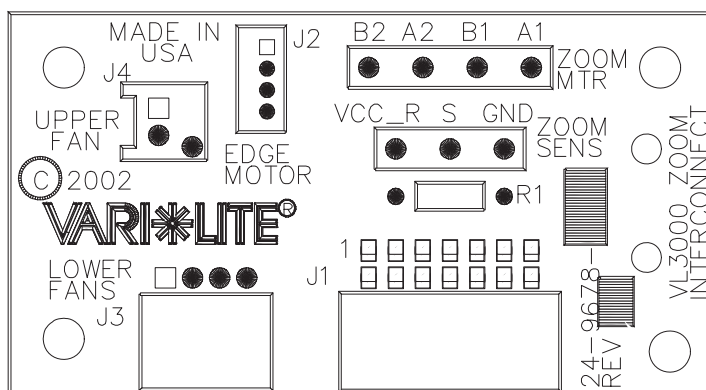


Figure 3-61: Wash Zoom Interconnect PCB Assembly

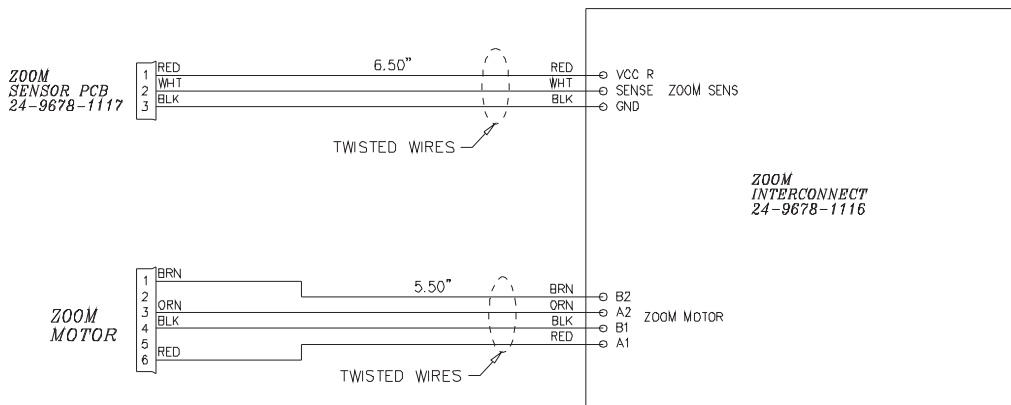
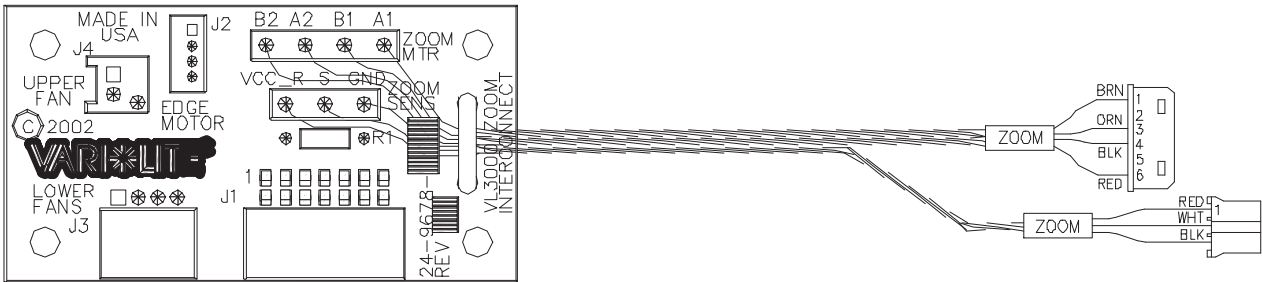
Arc Zoom Interconnect PCB Assembly

24.9678.3116 Rev 0 (Spot Only)

Refer to [Figure 3-62](#)

Ref.	Item	Qty.	UM.	Description
-	04.9678.1116.00	1	EA	LABEL SET ZOOM HARNESS (Not Shown)
-	11.9678.1116	1	EA	PCB ZOOM INTERCONNECT
J3	52.6259.0008	1	EA	HDR 4POS NT\MTA100 SD RT ANG
J4	52.6260.0015	1	EA	HEADER, 2POS MTA-100 SHROUDED
J2	52.6447.0009	1	EA	HEADER, SHROUDED 4 POSITION
	52.6467.0009	1	EA	CONN, FEM PLUG 3POS 30-24AWG
	52.6467.0010	3	EA	CONTACT, SOCKET 30-24AWG CRIMP
J1	52.6598.0029	1	EA	HDR 14P 2ROW AMP MODU R/A
	52.6662.0007	1	EA	HOUSING, 6POS 125V/2A 2.00
	52.8388.0003	4	EA	CONTACT, 24-30AWG FEMALE CRI
	55.2186.0001	1	EA	CABLE TIE, 0.10" WD 4.00" LG SMALL
R1	60.1440.2703	1	EA	RES, 1/4W 5% 270.0 OHM CF
	73.2324.0030	0.54	FT	WIRE, 24 AWG 3CD TW 300V 200C
	73.2324.0124	0.46	FT	WIRE, 24 AWG 4CD TW 300V 200C

Zoom Interconnect PCB Assembly (continued)



WIRE CHART					
FROM	TO	CONN ITEM NO.	WIRE COLOR	WIRE ITEM NO.	FUNCTION
A1 - ZOOM MTR	PIN 6	10	RED	14	ZOOM MOTOR - 1A
B1 - ZOOM MTR	PIN 4	10	BLK	14	ZOOM MOTOR - 1B
A2 - ZOOM MTR	PIN 3	10	ORN	14	ZOOM MOTOR - 2A
B2 - ZOOM MTR	PIN 1	10	BRN	14	ZOOM MOTOR - 2B
VCC_R - ZOOM SENS	PIN 1	6	RED	16	VCC_R - ZOOM SENSOR
S - ZOOM SENS	PIN 2	6	WHT	16	SENSE - ZOOM SENSOR
GND - ZOOM SENS	PIN 3	6	BLK	16	GND - ZOOM SENSOR

Figure 3-62: Arc Zoom Interconnect PCB Assembly

Zoom Sensor (Target) PCB Assembly

24.9678.3112 Rev 0

Refer to [Figure 3-63](#)

Ref.	Item	Qty.	UM.	Description
-	11.9678.0112	1	EA	PCB, VL3000 ZOOM SENSOR
J1	52.6447.0008	1	EA	HEADER, SHROUDED 3 POSITION
S1	86.7002.0005	1	EA	SWITCH, SLOTTED OPTICAL OPB610



Figure 3-63: Zoom Sensor PCB Assembly

Index Sensor PCB Assembly

24.9663.3231 Rev 0

Refer to [Figure 3-64](#)

No.	Item	Qty.	UM.	Description	Ref.
1	11.9663.1231	1	EA	PCB, INDEX SENSOR	-
2	52.6447.0009	1	EA	HEADER, SHROUDED 4 POSITION	J1
3	86.7002.0005	1	EA	SWITCH, SLOTTED OPTICAL OPB6	S1

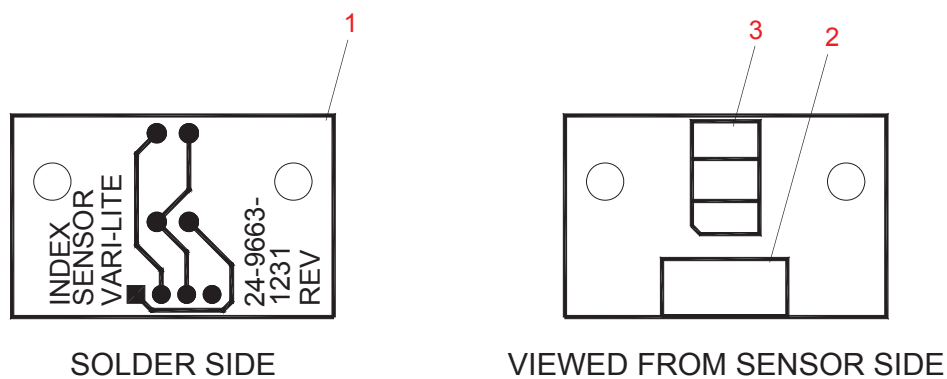


Figure 3-64: Index Sensor PCB Assembly

Notes

Enclosure Assembly

Upper Enclosure Assembly

21.9678.0800.01 Rev NN

21.9678.0801.01 Rev Y (VL3000 Quiet)

Refer to [Figure 3-65](#) and [Figure 3-66](#)

No.	Item	Qty.	UM.	Description
1	04.9640.0374	1	EA	LABEL, P.E. GROUND
2	04.9661.1218.01	1	EA	LABEL, PATENT, VL2201 & VL2400 SERIES LUM.
3	04.9678.0040.01	1	EA	LABEL, VL3000 COMPLIANCE
	04.9678.0045	1	EA	LABEL, VL3000 QUIET COMPLIANCE
4	06.6032.0009	1	EA	CABLE MARKER TIE, WHITE 19 X 7
5	10.9661.1258	1	EA	BRACKET, APS SIDE
6	10.9661.1358	1	EA	AIR SEAL, DUCT
7	10.9678.0820	1	EA	LANYARD, PAN TUBE
8	10.9686.0839	2	EA	COVER, TOP
9	10.9686.0846	2	EA	HANDLE, CAST ENCLOSURE
10	10.9678.0869	1	EA	BRACKET, LVS
11	10.9678.0886	1	EA	SPACER, PAN BEARING 0.235" THK
12	10.9678.0892	1	EA	BUSHING, WIRE PROTECTION PAN
13	10.9678.1876	1	EA	AIR DIST PLENUM, 1200W S W BALLAST P/S
14	12.9686.1236	2	EA	MACHINED, COVER FRONT
15	12.9686.1238	2	EA	MACHINED, COVER SIDE
16	12.9678.0842	1	EA	AIR DUCT, UPPER ENCLOSURE MOD
17	12.9678.1862	1	EA	SHIELDED BALLAST, CCI
18	21.9678.1254	1	EA	ASSY, COVER - VENTILATION
	21.9686.0840.02	1	EA	ASSY, COVER - VENT, VL3000 QUIET, ALUMINUM (not shown)
19	21.9678.0767	1	EA	ASSY, STABILIZER
19a	- 10.9678.0757	1	EA	STABILIZER, 1.377DIA
19b	- 10.9678.0762	1	EA	BRACKET, STABLIZER
19c	- 53.6610.0003	1	EA	SCREW, 6-32 X 7/16" PPZ
19d	- 55.6568.0075	1	EA	SPRING, EXTSN 0.375" OD 1.00" LG 0.041" WIRE DIA
20	21.9678.0805	1	EA	ASSY, PANEL
21	21.9678.0807	1	EA	ASSY, PAN PULLEY

VARILITE*® - VL3000™ SERIES LUMINAIRE SERVICE MANUAL**

No.	Item	Qty.	UM.	Description
22	21.9678.0864	1	EA	ASSY, PAN MOTOR
23	21.9678.0881	1	EA	ASSY, PAN TUBE
24	22.9678.0851	1	EA	ASSY, UPPER ENCLOSURE
25	23.9678.0686	1	EA	FAN ASSY, UPPER ENCLOSURE
	23.9678.0888	1	EA	FAN ASSY, UPPER ENCLOSURE, SLOW, VL3000 QUIET
26	23.9678.0687	1	EA	ELEC ASSY, PAN EOT SENSOR
-	25.9661.1514	1	EA	CABLE ASSY, LVS CHASSIS GND (not shown)
-	25.9661.1520	1	EA	CABLE ASSY, CHASSIS TO YOKE GND (not shown)
-	25.9678.0811	1	EA	CABLE ASSY, EMI FILTER TO POWER (not shown)
-	25.9678.0812	1	EA	CABLE ASSY, AC INPUT SPLITTER (not shown)
-	25.9678.0813	1	EA	CABLE ASSY, DATA I/O LINK (not shown)
-	25.9678.0816	1	EA	CABLE ASSY, BALLAST TO CONTROL (not shown)
-	25.9678.0818	1	EA	CABLE ASSY, PAN/TILT CONTROL (not shown)
-	25.9678.0821	1	EA	CABLE ASSY, DC OUTPUT (not shown)
-	25.9678.1825	1	EA	CABLE ASSY, DISPLAY (not shown)
-	25.9678.0829	1	EA	CABLE ASSY, LAMP SUPPLY TO RELAY (not shown)
-	25.9678.0843	1	EA	CABLE ASSY, AC FAN LVS TO YOKE (not shown)
27	52.8295.0002	1	EA	TERMINAL STRIP, 300V 12AWG 20A
28	53.2001.0003	1	EA	NUT, 10-32 NYLON INSERT
29	53.2019.0004	4	EA	NUT, 3/8-16 X 7/32" THK HEX
30	53.2200.0006	4	EA	NUT, 6-32 KEPS SS
31	53.6505.0022	3	EA	BOLT, 3/8-16 X 3/4" LG CARR
32	53.6513.0044	3	EA	SCREW, M5 X 10MM STL CUP PT
33	53.6515.0001	4	EA	SCREW, 10-32 X 3/4" SCB CAP
34	53.6522.0001	1	EA	SCREW, 6-32 X 1/4" PPZ
35	53.6522.0004	2	EA	SCREW, 6-32 X 1/4" SOC HD
36	53.6525.0188	2	EA	SCREW, 6-32 X 3/16" PPZ SEMS
37	53.6530.0023	2	EA	RIVET, 1/8"OD POP .376-.500GRP
38	53.6539.0001	4	EA	WASHER, 3/8" SPLIT LOCK
39	53.6545.0003	4	EA	SCREW, 8-32 X 3/8" PFZ
40	53.6545.0004	4	EA	SCREW, 8-32 X 3/8" PPZ
41	53.6556.0002	1	EA	SCREW, 4-40 X 3/4" LG
42	53.6558.0009	13	EA	SCREW, 6-32 X 3/8" LG PPZ SEMS
43	53.6558.0010	11	EA	SCREW, 6-32 X 1/4" LG PPZ BLACK
44	53.6558.0015	4	EA	SCREW, 6-32 X 3/8" PPB SEMS EXT
45	53.6571.0003	1	EA	SCREW, 6-32 X 1-1/2" LG PPB
46	53.6591.0001	2	EA	SCREW, 6-32 X 1/4" PFZ
47	53.6609.0001	4	EA	SCREW, 6-32 X 3/8" PFZ

No.	Item	Qty.	UM.	Description
48	53.6626.0001	1	EA	SCREW, 10-32 X 1/2" PPZ
49	53.6634.1000	1	EA	SCREW, 3/8-16 X 1.00" LG SOC
50	53.6653.0502	4	EA	SCREW, 1/4-20 X 1/2"LG SOC (NOT USED ON VL3000Q)
51	54.1206.0014	2	EA	RING, RETAINING
52	54.1255.0001	1	EA	BEARING ASSY, BLACK FLUSH MOU
53	54.2055.0001	1	EA	BELT, TIMING S2M 210GROOVE 9MM
54	55.2150.0003	2	EA	STANDOFF, 1/4"HEX 6-32 1.125"L
55	55.2178.0001	2	EA	CABLE ANCHOR MOUNT, #8 SCREW
56	55.2179.0001	3	EA	CABLE ANCHOR MOUNT, #6 SCREW
57	55.2186.0001	5	EA	CABLE TIE, .10"WD 4.00"LG SMALL
58	55.2261.0001	1	EA	SLEEVE, NYLON THIN WALL #6 SCR
59	55.2267.0001	2	FT	RUBBER STRIP, SPONGE CLSD CELL
60	55.6677.0039	4	EA	WASHER, 0.438" OD X 0.219" ID X 0.040" THK
61	55.6532.0004	2	EA	BRACKET, 6-32 THREADED HOLES
62	55.6543.0001	0.312	FT	GROMMET STRIP, SERRATED .062"
63	55.6543.0002	1.54	FT	GROMMET STRIP, SERRATED .125"
64	55.6549.0001	4	EA	WASHER, 1/4" SPLIT LOCK (NOT USED ON VL3000Q)
65	55.6568.0074	2	EA	SPRING, CPRSN .420"OD .750"LG 0.055" DIA WIRE
66	55.6575.0001	4	EA	SCREW, 10-32 X 3/4" PPB
67	55.6577.0005	2	EA	STANDOFF, 1/2" HEX 6-32 X 1.625" L
68	55.6580.0002	2	EA	CABLE TIE, 0.18" WD 8.0" LG
69	55.2132.0012	1	EA	STANDOFF, 1/4" HEX 6-32 X 3/4" LG
70	55.6677.0044	1	EA	WASHER, .877"OD.170"ID.093"THK
71	55.6699.0010	0.50	FT	SLEEVING, 5/16" NOM DIA WOVEN POLY ROUNDIT
72	55.6775.0009	1	EA	BUSHING, SNAP .750"ID 1"MT H
73	67.4018.0001	1	EA	FERRITE, 26 X 28.5 X 13MM CYL
74	67.4021.0002	1	EA	FILTER, EMI, CCI
75	68.9678.0827	1	EA	CHOKE, COMMON MODE
76	69.3177.0151	1	EA	POWER SUPPLY, 150W +24V/6.3A WMTH PLT (LAMBDA)
77	55.6799.0001	A/R	EA	PAN TUBE BEARING SHIM, 1.375" ID 1.875" OD, 0.005" THK (not shown)
78	55.6799.0002	A/R	EA	PAN TUBE BEARING SHIM, 1.375" ID 1.875" OD, 0.010" THK (not shown)

Upper Enclosure Assembly (continued)

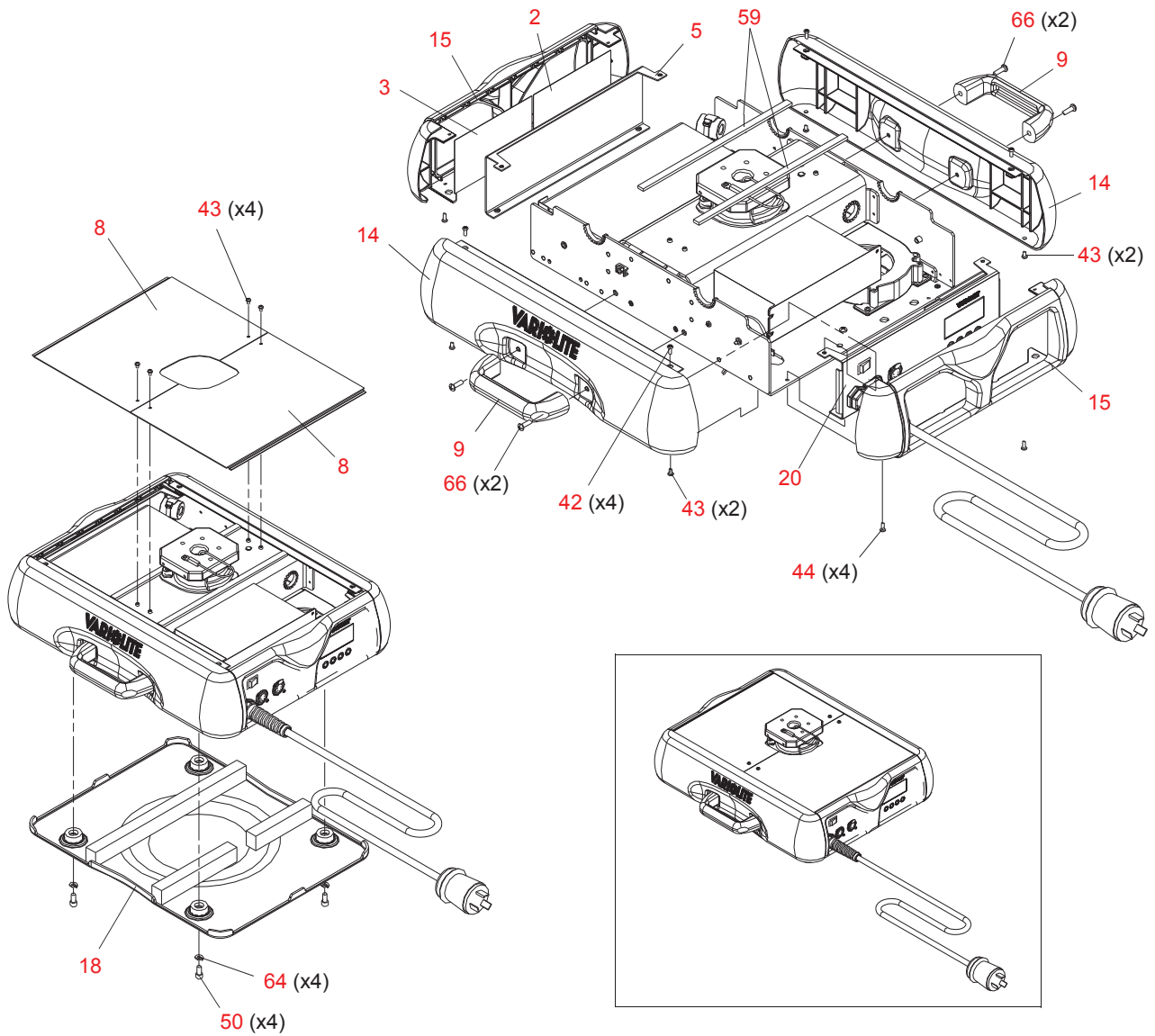


Figure 3-65: Upper Enclosure Assembly Part 1

Upper Enclosure Assembly (continued)

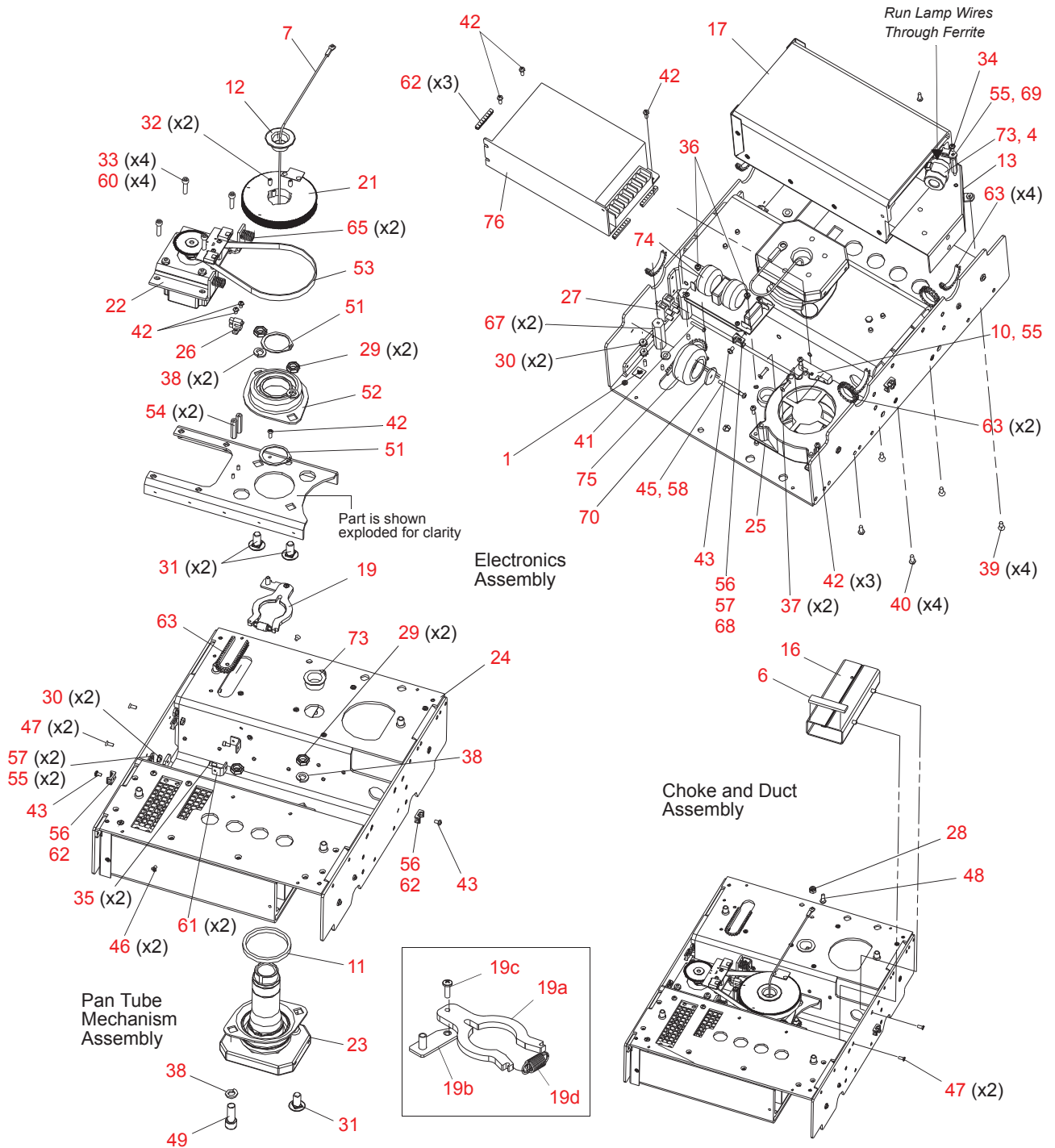


Figure 3-66: Upper Enclosure Assembly Part 2

Ventilation Cover Assembly - Standard

21.9661.1254 Rev C

Refer to [Figure 3-67](#)

No.	Item	Qty.	UM.	Description
1	10.9661.1249	4	EA	POST, TRUSS HOOK
2	10.9661.1350	1	EA	COVER, VENTILATION
3	10.9678.0893	1	EA	12" AIR SEAL, UPPER ENCLOSURE (changed 05-11-05)
4	10.9678.0894	1	EA	6" AIR SEAL, UPPER ENCLOSURE (changed 05-11-05)
5	10.9678.0896	1	EA	4.5" AIR SEAL, UPPER ENCLOSURE (changed 05-11-05)
6	54.1206.0015	4	EA	RING, RETAINING, PRESS-ON, 1" SH

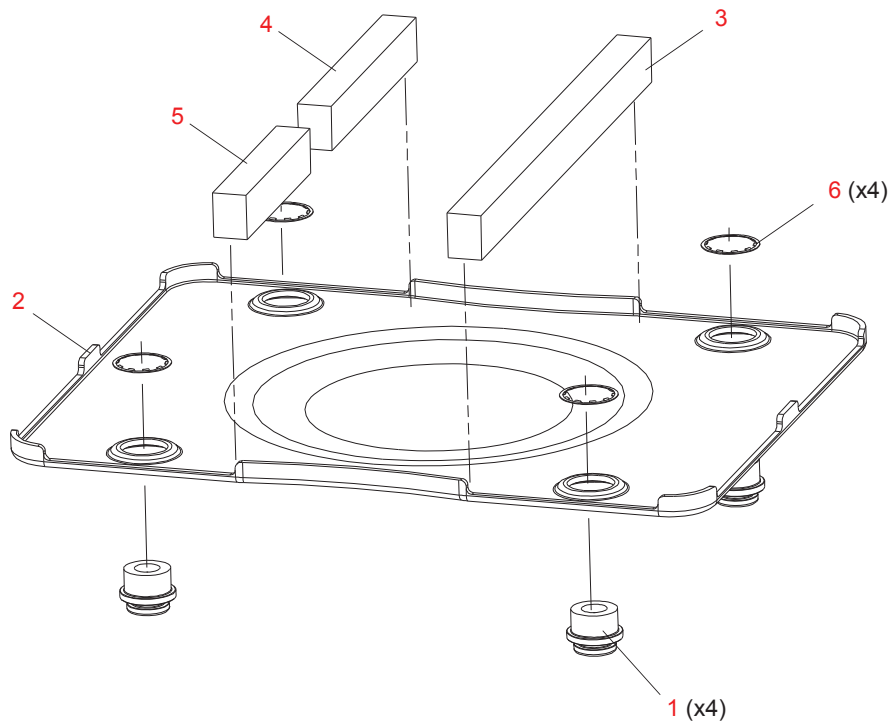


Figure 3-67: Ventilation Cover Assembly

Ventilation Cover Assembly - VL3000 Quiet

21.9686.0840.02 Rev B

Refer to [Figure 3-67](#)

No.	Item	Qty.	UM.	Description
1	10.9686.1249	4	EA	POST, TRUSS HOOK
1a	10.9678.0850	4	EA	POST, TRUSS HOOK, SHORT, EARLY PRODUCTION
1b	10.9678.0833	4	EA	SPACER, 1.25 "
2	10.9686.0883	1	EA	COVER, VENTILATION
3	10.9678.0837	1	EA	AIR SEAL, FAN SIDE
4	10.9678.0838	1	EA	AIR SEAL, APS SIDE
5	10.9678.0835	1	EA	AIR SEAL, SHORT STRIP
6	10.9678.0836	1	EA	AIR SEAL, LONG STRIP
7	10.9678.0887	2	EA	RAIN COVER SOUND INSULATION, ALUMINUM COVER
8	53.6653.0027	4	EA	SCREW, 1/4-20 X 1 5/8 SOC HEAD
9	54.1206.0015	4	EA	RING, RETAINING, PRESS-ON, 1" SH
10	55.6549.0001	4	EA	WASHER, 1/4" SPLIT LOCK

Ventilation Cover Assembly - VL3000 Quiet (continued)

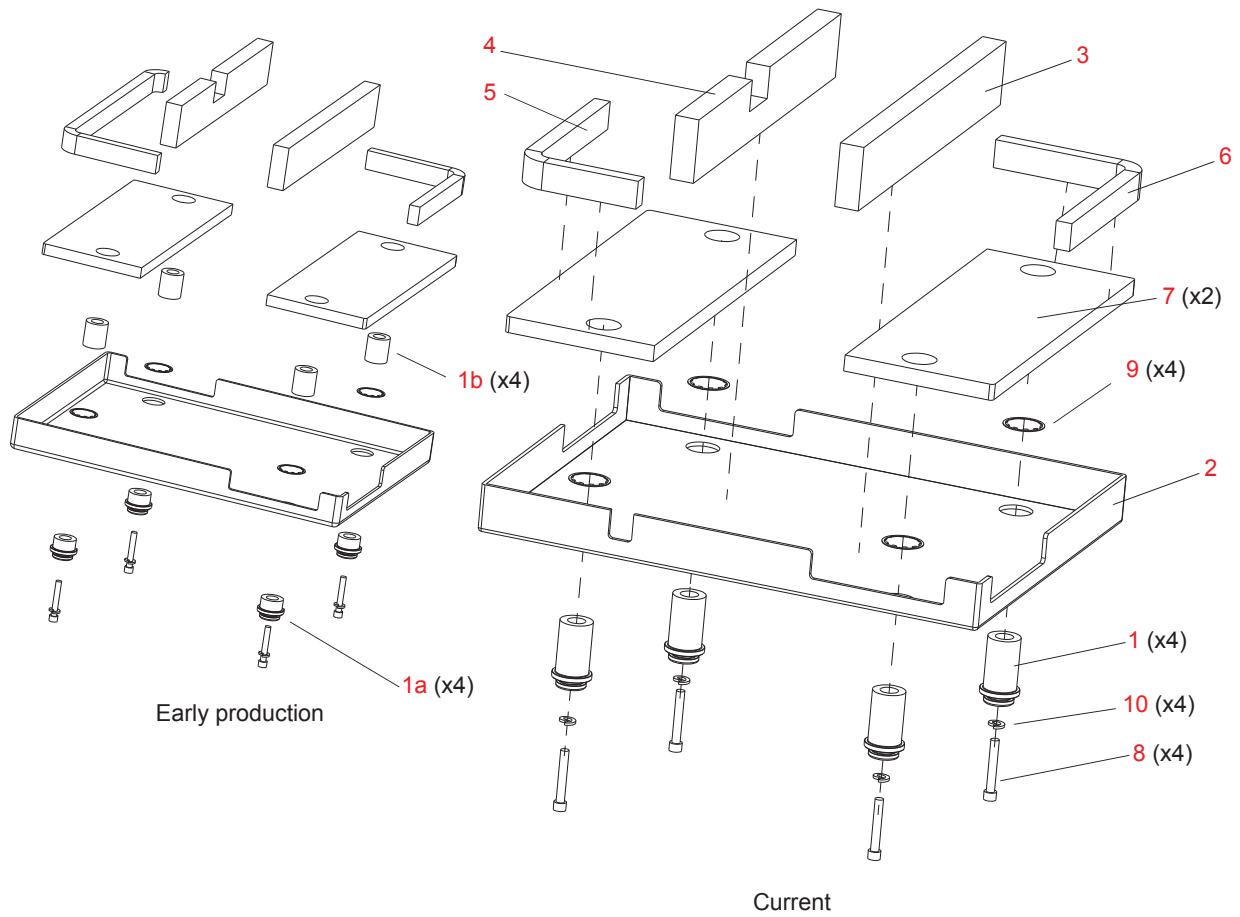


Figure 3-68: Ventilation Cover Assembly

Panel Assembly

21.9678.0805 Rev L

Refer to [Figure 3-69](#)

No.	Item	Qty.	UM.	Description
1	10.9678.0852.01	1	EA	LAYOUT, ENCLOSURE OVERLAY (changed 01-06-04)
2	10.9678.0859	1	EA	BRACKET, INPUT
3	10.9678.0872	1	EA	STIFFENER, DISPLAY BOARD (added 05-26-05)
4	24.9663.3830	1	EA	PCB ASSY, DMX INPUT (changed 07-01-06)
5	24.9678.3825	1	EA	PCB ASSY, DISPLAY (changed 07-01-06)
6	25.9678.0810	1	EA	CABLE ASSY, AC INPUT PIGTAIL (changed 04-28-05)
7	51-0541	4	EA	SCREW, 4-40 X 3/8" HI-LO® BLK ZINC PLT (changed 05-30-06)
8	53.6558.0009	2	EA	SCREW, 6-32 X 3/8" LG PPZ SEMS EXT ZINC PLT
9	55.2284.0001	1	EA	CARD GUIDE, SNAP-IN 3" LONG
10	74.2000.0001	1	EA	SWITCH, ROCKER 10A 250VAC HORIZ NON-ILLUM

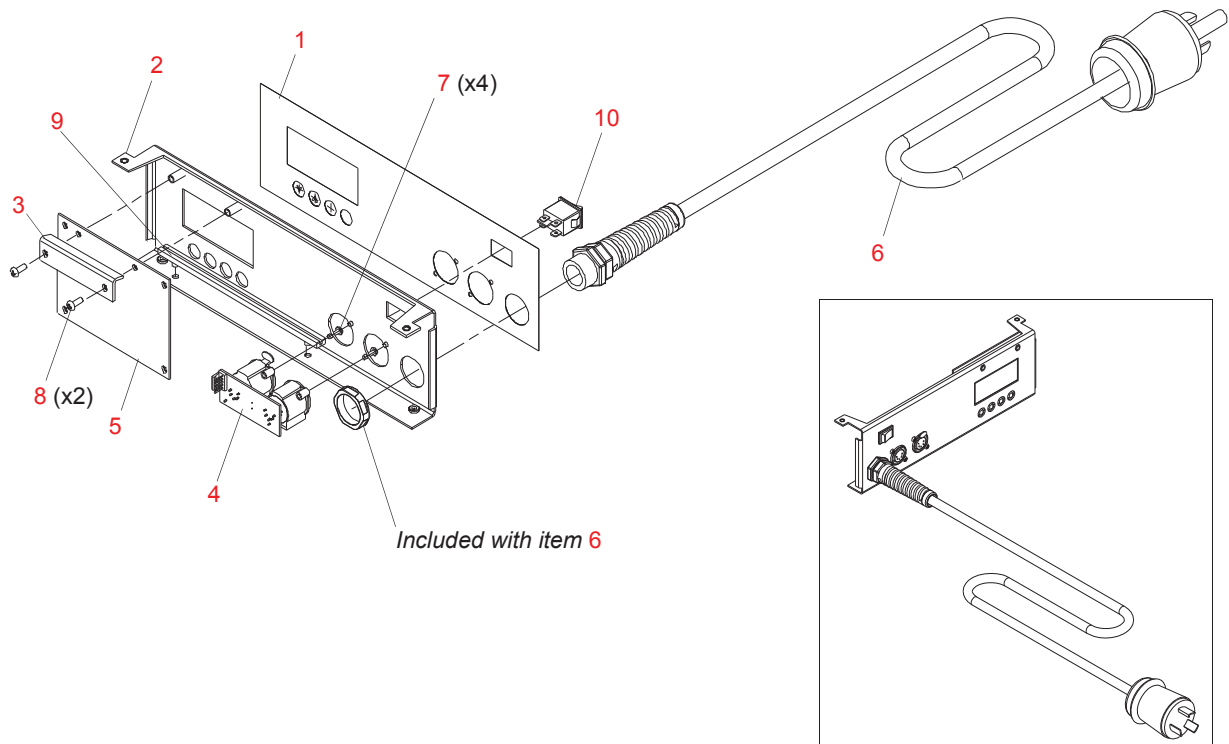


Figure 3-69: Panel Assembly

DMX Input PCB

24.9663.3830 Rev B

Refer to [Figure 3-70](#)

No.	Item	Qty.	UM.	Description	Ref.
1	11.9663.1830	1	EA	PCB FAB, DMX INPUT	-
2	52.6259.0006	1	EA	HEADER, 5POS MTA FRCT LOK STRT POST	J3
3	52.6625.0006	1	EA	CONN, RECPT XLR 5P FEM PC MT VERT	J1
4	52.6626.0006	1	EA	CONN, RECPT XLR 5P MALE PC MT VERT	J2
5	62.3017.0102	1	EA	CAP, 1000PF 250V RAD CER DISC 20% Y-TYPE	C1

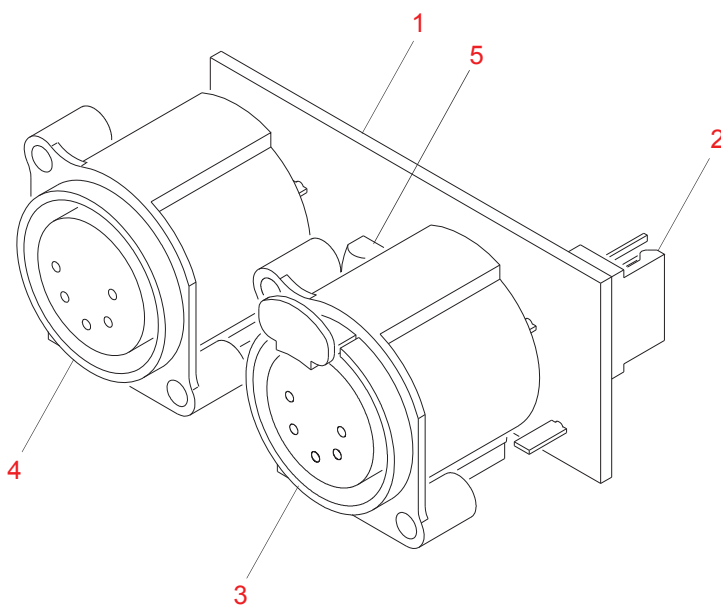


Figure 3-70: DMX Input PCB

Display PCB**24.9678.3825 Rev A**Refer to [Figure 3-71](#)

Ref.	Item	Qty.	UM.	Description
-	11.9678.2825	1	EA	PCB BOARD, VL3000 DISPLAY
-	40-0968	1	EA	HEADER, 20 POS SAMTEC MTLW .1 LS
J1	52.6365.0012	1	EA	HEADER, 6POS MTA100 SHROUDED R/A
-	53.6659.0003	4	EA	SCREW, 2-56 X 3/8" PPZ
-	55.3500.0001	4	EA	WASHER, #2 FLAT 0.312"OD FIBER
-	55.6821.0002	4	EA	STANDOFF, 5/32"RND 2-56 .125"LG BRASS SWAGE TYPE, .105" SHANK
R7, R14, R15	60.9461.1003	3	EA	RES, 0.1W 5% 1.0 K 100V CHIP THICK FILM SMT0805
R2, R3, R5, R9-R13	60.9461.1004	8	EA	RES, 0.1W 5% 10.0 K 100V CHIP THICK FILM
R1	60.9461.2704	1	EA	RES, 0.1W 5% 27K OHM 100V CHIP THICK FILM SMT0805
R8	60.9461.3604	1	EA	RES, 0.1W 5% 36.0 K 100V CHIP THK FLM SMT0805
R6	60.9461.7502	1	EA	RES, 0.1W 5% 750.0 OHM CHIP THK FILM SUR MT
C1	62.3038.0101	1	EA	CAP, 100PF 50V 10% MONO CER CHIP SUR MT
C6, C13	62.3038.0103	2	EA	CAP, 0.01UF 50V 10% MONO CER CHIP SUR MT
C3, C4, C7, C9, C12	62.3042.0102	5	EA	CAP, 0.1UF 50V 20% CER CHIP SUR MT Z5U EIA0805
C5	62.3049.0107	1	EA	CAP, 100UF 10V 20% ALUM ELECTRO SUR MT
C8, C10, C11	62.3053.0106	3	EA	CAP, 10UF 35V 20% ALUM ELECTRO SUR MT
C2	62.3053.0226	1	EA	CAP, 22UF 35V 20% ALUM ELECTRO SUR MT
S5	71-0670	1	EA	WIRE, JUMPER 22 AWG BARE, 0.1" LG
U3	72.2130.0002	1	EA	DISPLAY, LCD GRAPHIC MODULE 122 X 22
XS1, XS1, XS3, XS4	74.1085.0013	4	EA	CAP, SWITCH, 5MM SQ BLACK TL1105
S1, S2, S3, S4	74.1098.0003	4	EA	SWITCH, TACT, SPST
D1	82.5350.0002	1	EA	DIODE, BAT54SLT1 DUAL SCHOTTKY CATHODE TO ANODE CONNECTED 30V 200MA
VR1	83.3205.0001	1	EA	IC, LP3964EMP-ADT LINEAR REGULATOR 800MA ADJUSTABLE SMT
U5	83.3207.0002	1	EA	IC, TIMER, ICM7555ISA SOIC-8-N
U1, U2, U4	83.3208.0002	3	EA	IC, PCA9554PW TSSOP-6

Display PCB (continued)

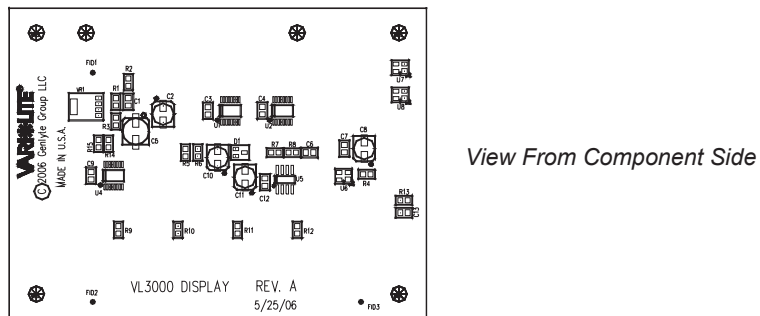
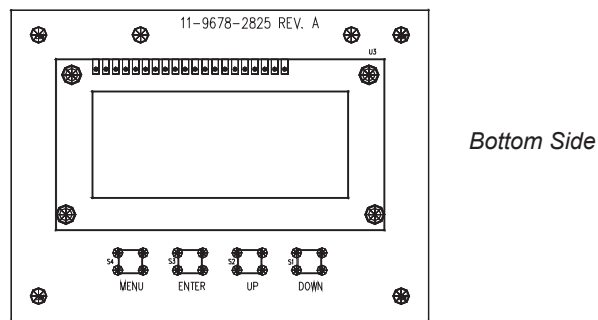
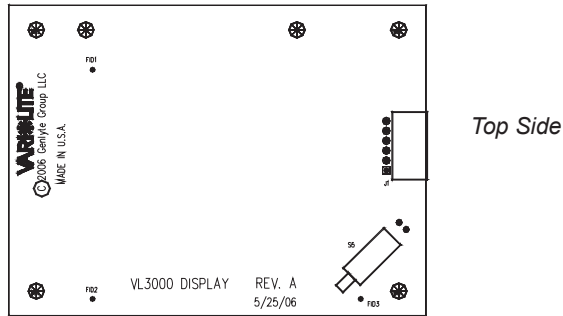


Figure 3-71: Display PCB

AC Input Pigtail Cable Assembly

25.9678.0810 Rev B

Refer to [Figure 3-72](#)

No.	Item	Qty.	UM.	Description
1	52.6274.2313	1	EA	STRAIN RELIEF, SKINTOP FLEX TYPE PG13 BLK
2	52.6401.2321	1	EA	CONN, PLUG "CE MARKED" 20A 250V TWIST-LOCK MALE LINE, 3-WIRE
3	52.8231.0005	1	EA	TERM, RING #6 BLUE 16-14 AWG REEL PIDG
4	52.8298.1160	2	EA	FERRULE, WIRE 1X16 AWG L2=8MM BLACK
5	55.2268.0187	0.92	FT	HEATSHRINK, 3/16" CLEAR KYNAR UL 600V 150DEG C
6	55.2268.0500	0.13	FT	HEATSHRINK, 1/2" CLEAR KYNAR UL 600V 150DEG C
7	73.9636.0153	4.00	FT	CORDAGE, 1.5/3 750V 60C EURO BLK HD-22 11MM OD

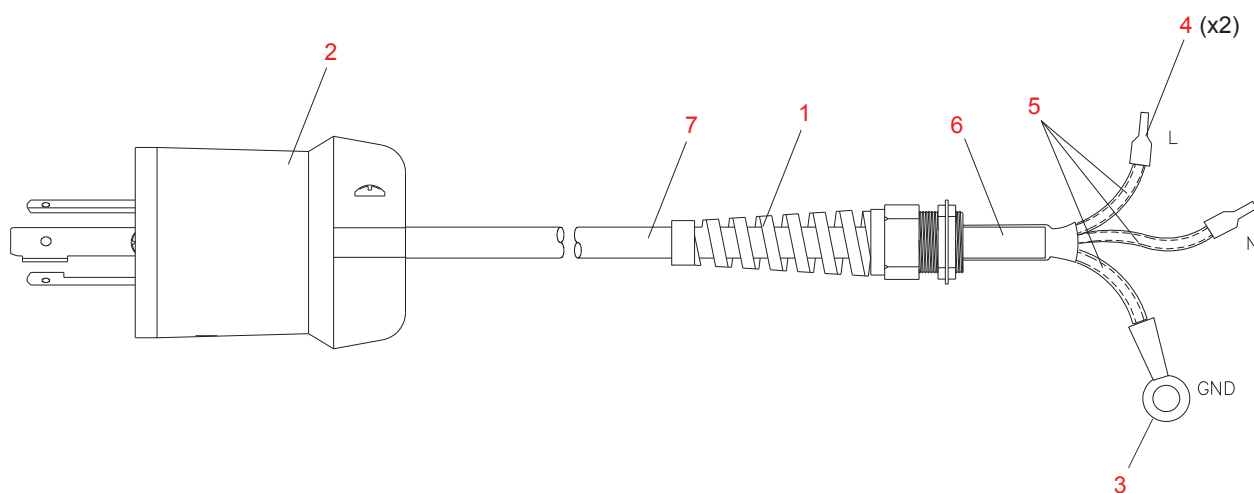


Figure 3-72: AC Input Pigtail Cable Assembly

Pan Pulley Assembly

21.9678.0807 Rev E

Refer to [Figure 3-73](#)

No.	Item	Qty.	UM.	Description
1	10.9678.0750	1	EA	TIMING PULLEY, 2MM GT 150 TOOTH
2	10.9678.0855	1	EA	PAN FLAG
3	53.6530.0009	2	EA	RIVET, 1/8"OD POP 0.126-0.187GL (changed 10-05-06)

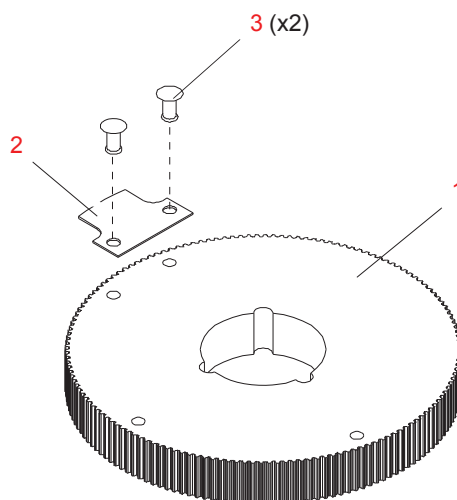


Figure 3-73: Pan Pulley Assembly

Pan Motor Assembly

21.9678.0864 Rev E

Refer to [Figure 3-74](#)

No.	Item	Qty.	UM.	Description
1	10.9678.0865	1	EA	PLATE, PAN MOTOR MOUNT
2	21.9678.0828	1	EA	ASSY, DRIVE PULLEY, PAN
	- 10.9678.0720	1	EA	CODEWHEEL, 120 COUNT LARGE ID
	- 10.9678.0749	1	EA	TIMING PULLEY, 2MM GT 17 TOOTH
	- 53.5562.0250	1	EA	SCREW, 8-32 X 1/4" SET FLAT POINT
3	24.9678.9729	1	EA	PCB ASSY, VL3000 PAN ENCODER (changed 06-27-07)
4	44.9678.0680	1	EA	MOTOR, 3 PHASE SIZE 23 HIGH TORQUE
5	53.2200.0008	4	EA	NUT, 8-32 KEPS SS
6	53.6546.0001	4	EA	SCREW, 8-32 X 5/8" PPB
7	53.6682.0002	2	EA	SCREW, 4-40 X 1/4" LG PPZ SEMS-EXT
8	55.2132.0014	2	EA	STANDOFF, 1/4" HEX 4-40 1.062" LG CS (changed 05-18-06)

Note: Vari-Lite recommends that this motor be replaced as a complete assembly. Although you can replace only the motor, the pulley (Item 2) is bonded to the motor shaft during assembly and cannot be removed intact. If you order a replacement motor (Item 4), also order the pulley (Item 2). Contact Vari-Lite Customer Service for installation information.

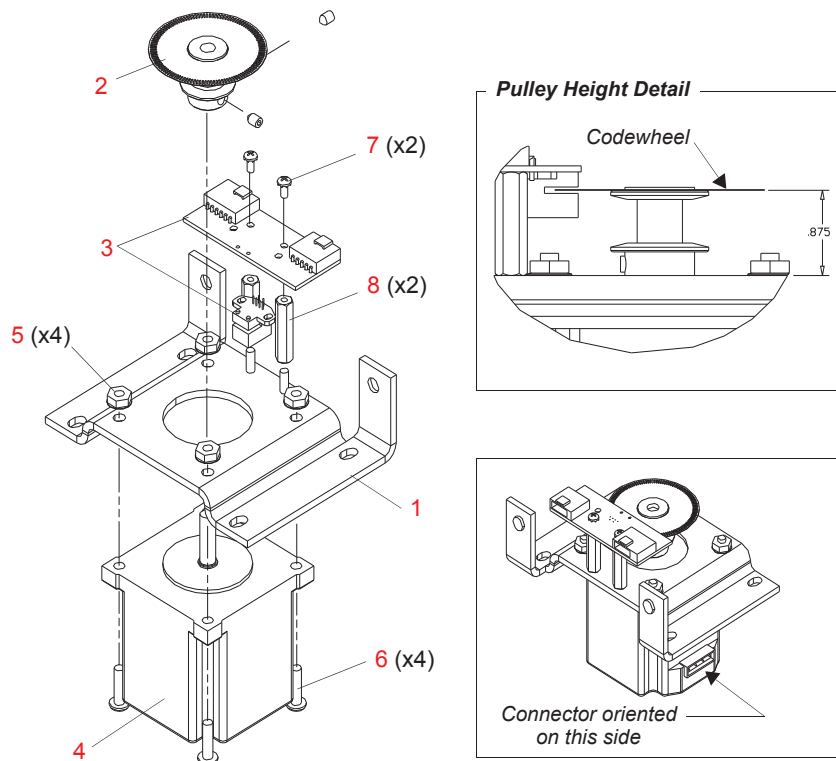


Figure 3-74: Pan Motor Assembly

Pan Tube Assembly

21.9678.0881 Rev 0

Refer to [Figure 3-75](#)

No.	Item	Qty.	UM.	Description
1	10.9678.0809	1	EA	PAN TOGGLE STOP
2	10.9678.0847	1	EA	SILICONE FOAM WASHER
3	10.9678.0848	2	EA	WASHER, PAN TEFLON
4	12.9678.0877	1	EA	PAN TUBE, MACHINED
5	54.1206.0021	1	EA	RING, RETAINING 1.562"SHAFT 1.468"GRV DIA .068"GRVWD EXTERNAL
6	54.1255.0002	1	EA	BEARING ASSY, FLUSH MOUNT HOUSING LARGE

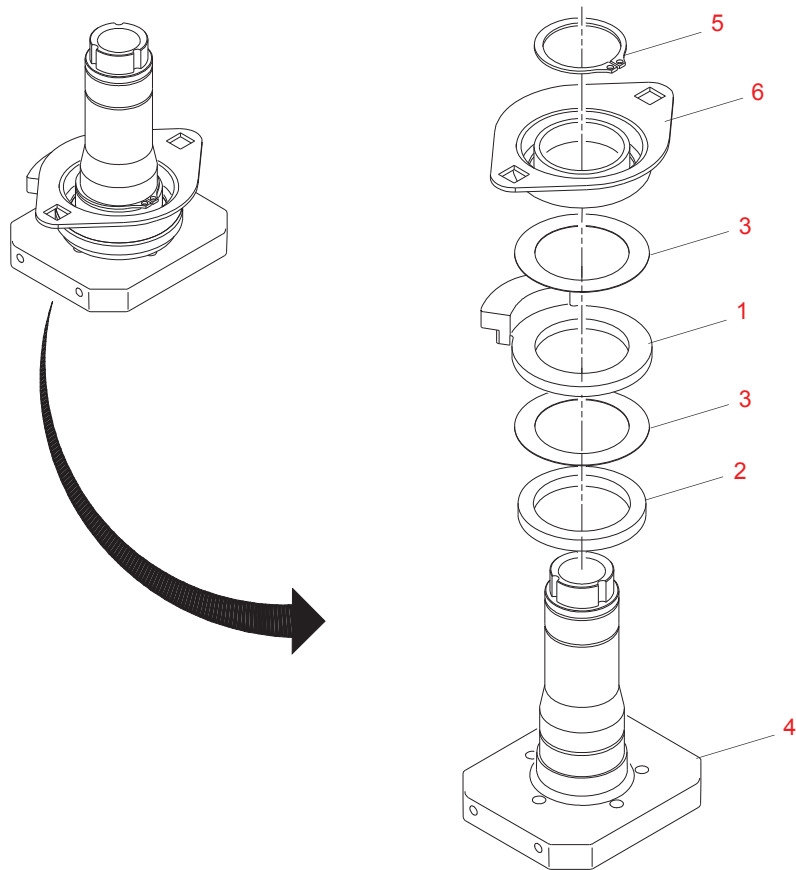


Figure 3-75: Pan Tube Assembly

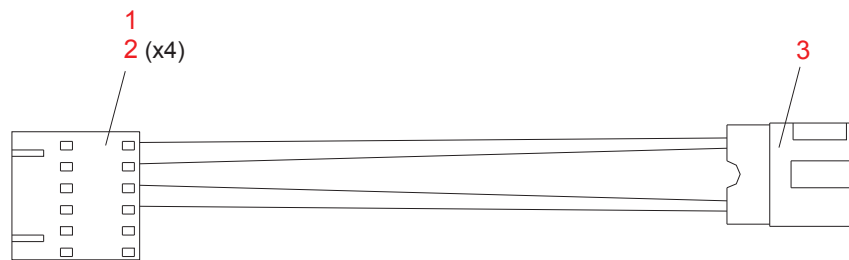
Cable Assemblies

Pan EOT Sensor Electrical Assembly

23.9678.0687 Rev A

Refer to [Figure 3-76](#)

No.	Item	Qty.	UM.	Description
1	52.6524.0006	1	EA	CONN, HOUSING 6 POS RECEPTACLE
2	52.8346.0001	4	EA	CONTACT, 24-30AWG FEMALE CRIMP
3	86.7002.0003	1	EA	SWITCH, SLOTTED OPTICAL



WIRE CHART		
CONNECTOR	SENSOR	DESCRIPTION
PIN 1	N.C.	NO CONNECTION
PIN 2	N.C.	NO CONNECTION
PIN 3	BLACK	IRED CATHODE
PIN 4	RED	IRED ANODE
PIN 5	GREEN	DETECTOR EMITTER
PIN 6	WHITE	DETECTOR COLLECTOR

Figure 3-76: Pan EOT Sensor Electrical Assembly

LVS Chassis Ground Cable Assembly

25.9661.1514 Rev A

Refer to [Figure 3-77](#)

No.	Item	Qty.	UM.	Description
1	52.8231.0005	1	EA	TERM, RING #6 BLUE 16-14 AWG REEL PIDG
2	52.8271.0001	1	EA	FASTON RECEPT, 16-14 AWG (REEL)
3	73.3516.0504	3.5	IN	WIRE, 16 AWG 300V 105C PVC GRN/YEL UL1569



Figure 3-77: LVS Chassis Ground Cable Assembly

Chassis To Yoke Ground Cable Assembly

25.9661.1520 Rev C

Refer to [Figure 3-78](#)

No.	Item	Qty.	UM.	Description
1	52.8250.0006	2	EA	TERM, #8, RING, 10AWG
2	73.7089.0504	15.17	FT	WIRE, 22 AWG 300V 200C TEF GRN/YEL UL1180

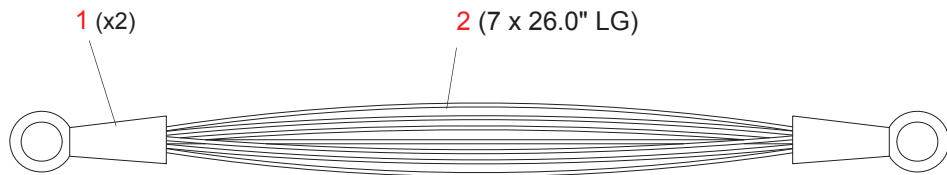


Figure 3-78: Chassis To Yoke Ground Cable Assembly

Head to Back Cap Ground Cable Assembly

25.9661.1522 Rev B

Refer to [Figure 3-79](#).

No.	Item	Qty.	UM.	Description
1	52.8311.0003	2	EA	TERM, RING #6 14-16 AWG NON-INS. TAPE
2	73.7130.0001	1.33	FT	WIRE, 7/64" TUBULAR BRAID TINNED COPPER

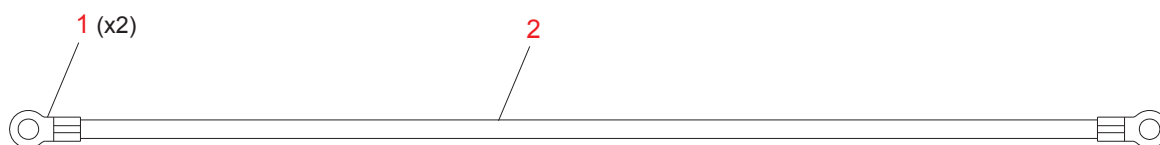


Figure 3-79: Head to Back Cap Ground Cable Assembly

Relay to Ignitor Cable Assembly

25.9661.1526 Rev C

Refer to Figure 3-80.

No.	Item	Qty.	UM.	Description
1	52.8231.0005	1	EA	TERM, RING #6 BLUE 16-14 AWG REEL PIDG (changed 03-23-06)
2	52.8312.0001	1	EA	RECP, FASTON 1/4" 18-14 AWG INSULATED VO
3	73.7101.0009	0.42	FT	WIRE, 14 AWG 15KV 150C SILICONE 41/30 STRANDING



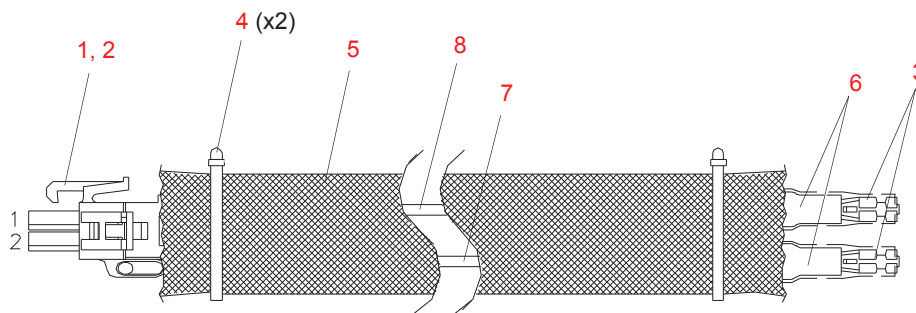
Figure 3-80: Ignitor to Relay Cable Assembly

Yoke to AC Fan Cable Assembly

25.9678.0012 Rev A

Refer to [Figure 3-81](#)

No.	Item	Qty.	UM.	Description
1	52.6665.0001	2	EA	CONTACT, 22-26AWG MALE MATE-N-LOK 2
2	52.6665.0002	1	EA	CONN, HOUSING 2 POS PLUG MATE-N-LOC 2
3	52.8413.0001	2	EA	RECEPT, FASTON .110 SERIES 22-18AWG INSULATED
4	55.2186.0002	2	EA	CABLE TIE, .09"WD 3.750"LG TEFZEL
5	55.2260.0208	2.58	FT	SLEEVING, FIBERGLASS 0.208 ID
6	55.2200.0003	0.25	FT	HEATSHRINK, 3/16" VITON
7	73.6222.0009	3.00	FT	WIRE, 22AWG 600V 200C TFE WHT UL1199 19STRAND
8	73.6222.0010	3.00	FT	WIRE, 22AWG 600V 200C TFE BLK UL1199



WIRE CHART				
FROM	CONN ITEM NO.	TO	CONN ITEM NO.	WIRE COLOR
PIN 1	2	SPADE	3	BLK
PIN 2	2	SPADE	3	WHT

Figure 3-81: Yoke To Fan AC Fan Cable Assembly

Backcap Interlok to Gobo Fan Interlok Cable Assembly

25.9678.0014 Rev B

Refer to [Figure 3-82](#)

No.	Item	Qty.	UM.	Description
1	52.8414.0001	2	EA	RECEPT, FASTON .187 SERIES 24-20 AWG UNINSUL
2	73.7089.0000	2.00	FT	WIRE, 22AWG 300V 200C TEF BLK UL1180

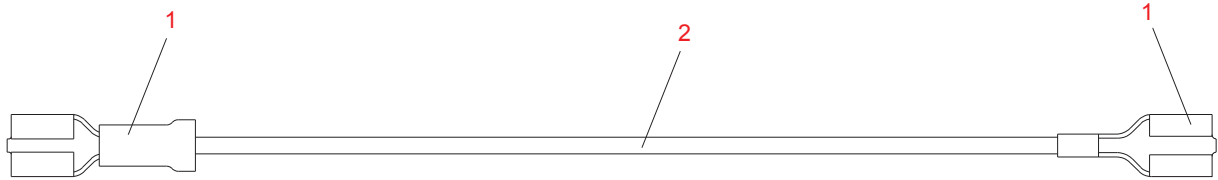


Figure 3-82: Backcap Interlok to Gobo Fan Interlok Cable Assembly

Air Duct OT Switch Cable Assembly

25.9678.0690 Rev 0 (VL3000Q)

25.9678.0691 Rev 0

Refer to [Figure 3-83](#)

No.	Item	Qty.	UM.	Description
1	52.8414.0001	1	EA	RECEPT, FASTON .187 SERIES, 24-20AWG UNISUL
2	52.8237.0002	1	EA	TERM, RING #4 24-20AWG
3	73.7089.0000	1.48	FT	WIRE, 22AWG BLK 300V 200C TEFLON STRANDED
4	55.2260.0133	.375	FT	SLEEVING, FIBERGLASS, .133" ID
5	55.2198.0002	.083	FT	HEATSHRINK, 1/8" BLACK
6	63.2047.5130	1	EA	THERMOSTAT, 130° TO-220 OPEN ON RISE
	63.2047.5120	1	EA	THERMOSTAT, 120° TO-220 OPEN ON RISE, VL3000 QUIET

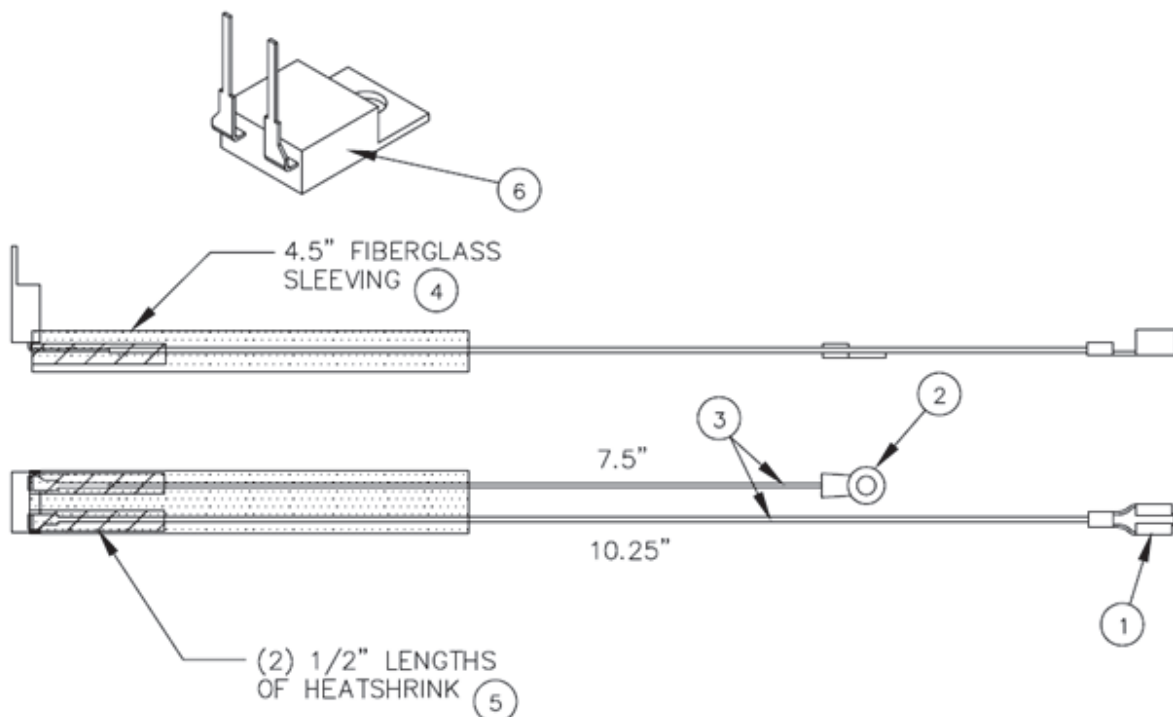


Figure 3-83: Air Duct OT Switch Cable Assembly

Relay to Gobo Fan Interlock Cable Assembly

25.9678.0675 Rev B

Refer to [Figure 3-84](#).

No.	Item	Qty.	UM.	Description
1	52.8230.0003	1	EA	RECEPT, 1/4" FASTON 22-18AWG (TAPE MOUNT)
2	52.8414.0001	1	EA	RECEPT, FASTON 0.187 SERIES 24-20 AWG UNINSUL
3	73.7089.0000	2.00	FT	WIRE. 22AWG 300V 200C TEF BLK UL1180

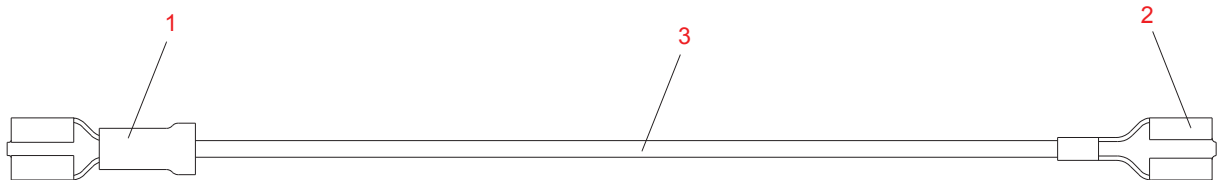


Figure 3-84: Relay to Gobo Fan Interlock Cable Assembly

Front Head Fans Cable Assembly

25.9678.0677 Rev B

Refer to [Figure 3-85](#)

No.	Item	Qty.	UM.	Description
1	52.6396.3104	1	EA	RECEPT, 4POS MTA100 W/POL TAB BLU CLSD END (changed 05-03-06)
2	52.6524.0002	2	EA	CONN, HOUSING 2POS RECEPTACLE
3	52.8346.0001	4	EA	CONTACT, 24-30AWG FEMALE CRIMP
4	73.5126.0002	2.67	FT	WIRE, 26AWG 2COND 300V 80C <BLK-RED>

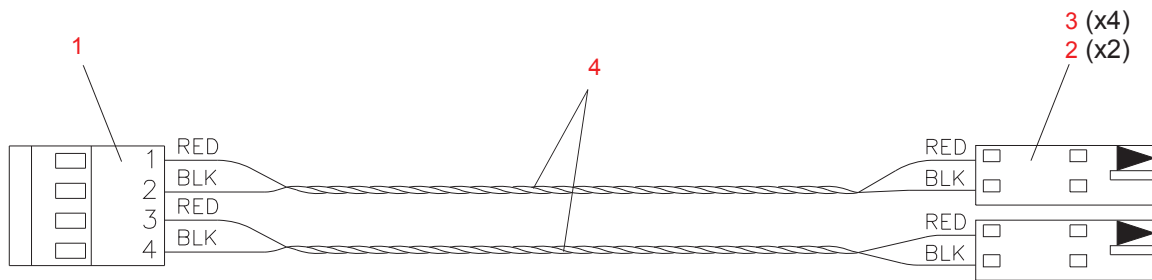


Figure 3-85: Front Head Fans Cable Assembly

Yoke Fan and Relay Cable Assembly

25.9678.0681 Rev C

Refer to [Figure 3-86](#)

No.	Item	Qty.	UM.	Description
1	52.6396.3103	1	EA	RECEPT, 3 POS MTA100 W/ POL TAB BLU CLSD END (changed 05-01-06)
2	52.6423.0003	1	EA	HOUSING, 3 POS MT RECEPT, 2MM
3	52.8230.0003	1	EA	RECEPT, 1/4" FASTON 22-18AWG
4	73.3526.0002	1.25	FT	WIRE, 26AWG 300V 105C PVC RED
5	73.5126.0002	1.50	FT	WIRE, 26AWG 2 COND 300V 80C <RED-BLK>

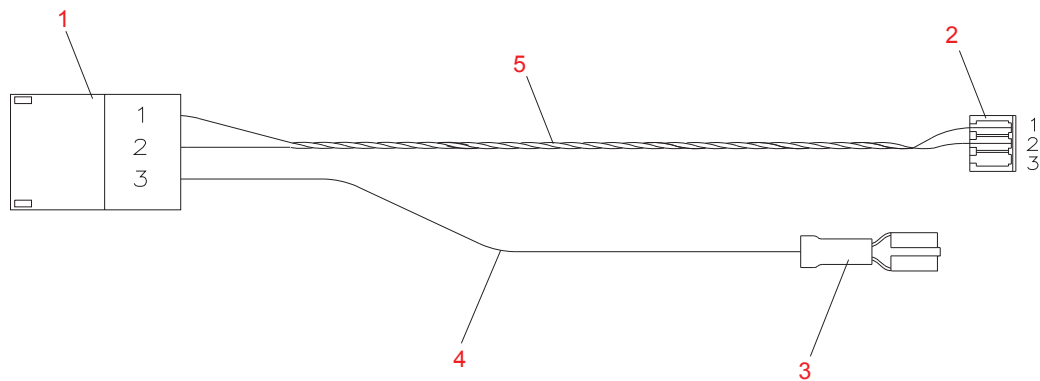


Figure 3-86: Yoke Fan and Relay Cable Assembly

Yoke Fan and Relay Cable Assembly - VL3000Q

25.9678.0781 Rev A

Refer to Figure 3-86

No.	Item	Qty.	UM.	Description
1	52.6423.0003	1	EA	HOUSING, 3 POS MT RECEPT, 2MM
2	52.8230.0003	1	EA	RECEPT, 1/4" FASTON 22-18AWG
3	52.6396.3103	1	EA	RECEPT, 3 POS MTA100 W/ POL TAB BLU CLSD END
4	55.2186.0001	1	EA	CABLE TIE, .10 X 4" SMALL
5	55.2268.0125	1	IN	HEATSHRINK, 1/8" CLEAR KYNAR UL 600V 150° C
6	60.7440.2002	1	EA	RESISITOR, 5W, 5% 200 OHM WIREWOUND
7	73.3526.0002	1.25	FT	WIRE, 26AWG 300V 105C PVC RED
8	73.5126.0002	1.50	FT	WIRE, 26AWG 2 COND 300V 80C <RED-BLK>

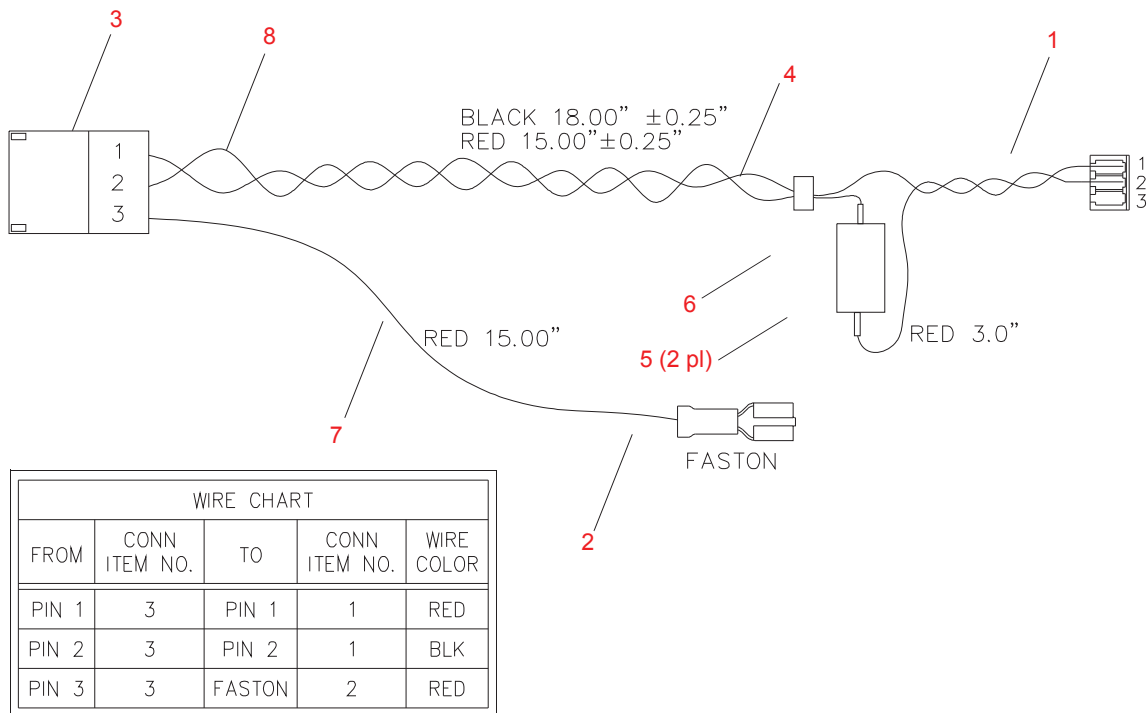


Figure 3-87: Yoke Fan and Relay Cable Assembly

OT Switch to Interlok Cable Assembly

25.9678.0682 Rev C

Refer to [Figure 3-88](#)

No.	Item	Qty.	UM.	Description
1	52.8371.0001	1	EA	RECEPT, FASTON 24-20AWG UNISUL TIN PLT BRS .250 X .032 TAB
2	52.8414.0001	1	EA	RECEPT, FASTON, 0.187 SERIES 24-20 AWG UNISUL
3	73.7089.0000	0.79	FT	WIRE, 22AWG 300V 200C TEF BLK UL1180

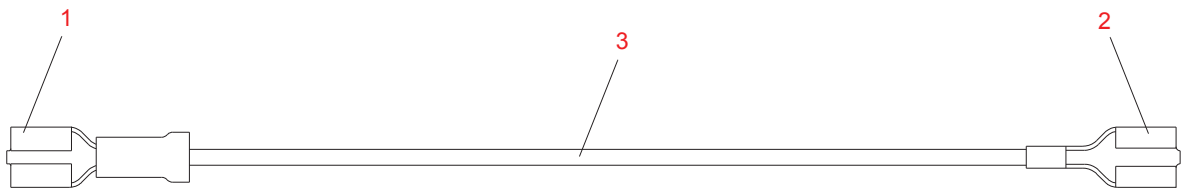


Figure 3-88: OT Switch to Interlok Cable Assembly

Ignitor to Lamp Socket Cable Assembly

25.9678.0789 Rev B

Refer to [Figure 3-89](#).

No.	Item	Qty.	UM.	Description
1	52.8231.0005	2	EA	TERM, RING #6 BLUE 16-14 AWG REEL PIDG
2	52.8274.1614	2	EA	CONN, BUTT SPLICE, 16-14 PIDG
3	55.2186.0001	3	EA	CABLE TIE, .10"WD 4.00"LG SMALL
4	55.2200.0003	.33	FT	HEAT SHRINK
5	55.2260.0133	6.83	FT	SLEEVING, FIBERGLASS .133" ID
6	73.7100.0001	2.84	FT	WIRE, 16AWG 20KVDC 41/32 STRD 200C SILICONE
7	73.7190.0001	3.66	FT	WIRE, 250C DEG C

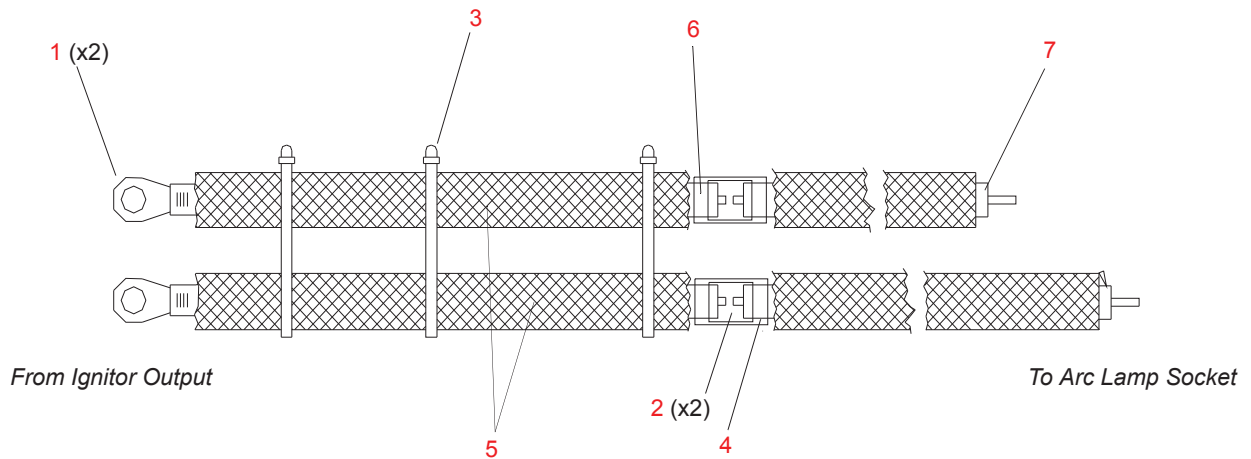


Figure 3-89: Ignitor to Lamp Socket Cable Assembly

Yoke to Head Ground Cable Assembly

25.9678.0689 Rev 0

Refer to [Figure 3-90](#)

No.	Item	Qty.	UM.	Description
1	52.8250.0011	2	EA	TERM, RING #10, 122-10AWG (REEL)
2	73.7089.0010	15.17	FT	WIRE, 22AWG , 19X34 MIL-16878/4 TYPE E (changed 08-31-06)

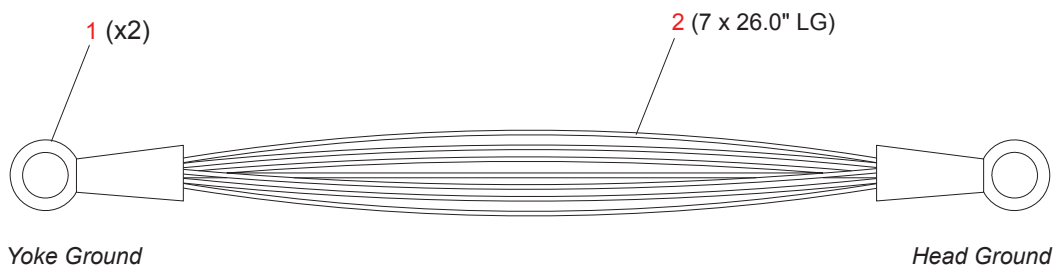


Figure 3-90: Yoke to Head Ground Cable Assembly

Head Controller Cable Assembly

25.9678.0715 Rev C

Refer to [Figure 3-91](#)

No.	Item	Qty.	UM.	Description
1	52.6224.1014	2	EA	COVER, FRONT 14 POS MT LATCHING
2	52.6224.1040	2	EA	COVER, FRONT 40 POS MT LATCHING
3	52.6224.1050	2	EA	COVER, FRONT 50 POS MT LATCHING
4	52.6224.2014	2	EA	COVER, BACK 14 POS MT
5	52.6224.2040	2	EA	COVER, BACK 40 POS MT
6	52.6224.2050	2	EA	COVER, BACK 50 POS MT
7	52.6610.0014	2	EA	CONN, HOUSING, 14 POS 26-22 AWG DBL ROW UNLOADED (changed 05-01-06)
8	52.6610.0017	2	EA	CONN, HOUSING, 50 POS 26-22 AWG DBL ROW UNLOADED (changed 05-01-06)
9	52.6610.0040	2	EA	CONN, HOUSING, 40 POS 26-22 AWG DBL ROW UNLOADED (changed 05-01-06)
10	52.8351.0004	180	EA	CONTACT, 26-22 AWG RECP MTE (REEL) (added 05-01-06)
11	55.2186.0001	11	EA	CABLE TIE, 0.10" WD 4.00" LG SMALL
12	55.6699.0004	1.75	FT	SLEEVING, 3/4" NOM.DIA. POLY EXP BRAIDED
13	73.3026.0009	1.83	FT	WIRE, 26 AWG 300V 80C <WHT>
14	73.5116.0123	35.17	FT	WIRE, 24 AWG 4COND TW 300V 80C <BLK-BRN-RED-ORG> UL1061
15	73.5126.0002	6.00	FT	WIRE, 26 AWG 2 COND TWISTED <RED-BLK>
16	73.5126.0007	1.83	FT	WIRE, 26 AWG 2 COND 300V 80C UL1061 19 STRND <VIO-BLK>
17	73.5126.6009	2.33	FT	WIRE, 26 AWG 6 COND TWISTED <WHT-WHT/BLU-WHT/BLK-WHT/BRN-WHT/GRN-WHT/RED>
18	73.5126.7009	1.83	FT	WIRE, 26 AWG 7 COND TWISTED <WHT-WHT/BLU-WHT/BLK-WHT/BRN-WHT/GRN-WHT/RED-WHT/VIO>

Head Controller Cable Assembly (continued)

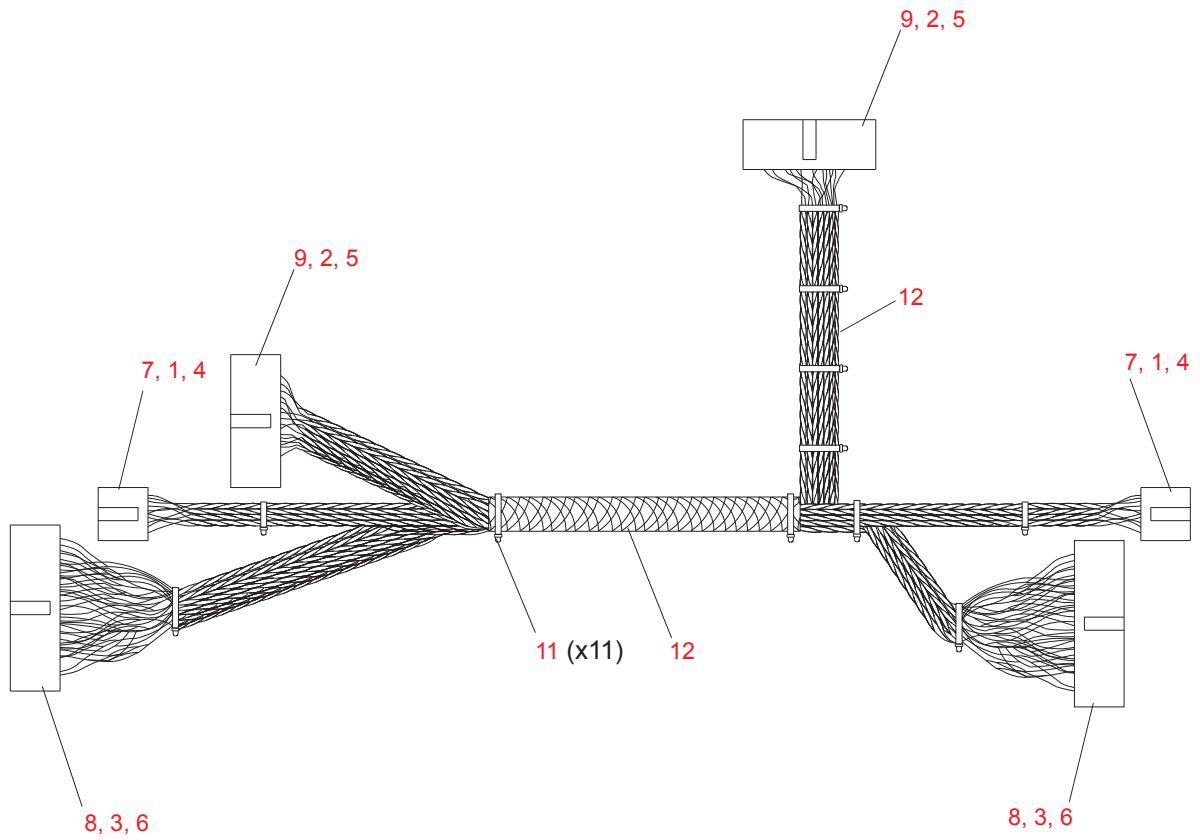


Figure 3-91: Head Controller Cable Assembly

Color Interconnect Cable Assembly

25.9678.1409 Rev 0

25.9678.1419 Rev 0 (VL3000 Quiet)

Refer to [Figure 3-92](#)

Must be ordered as an assembly.

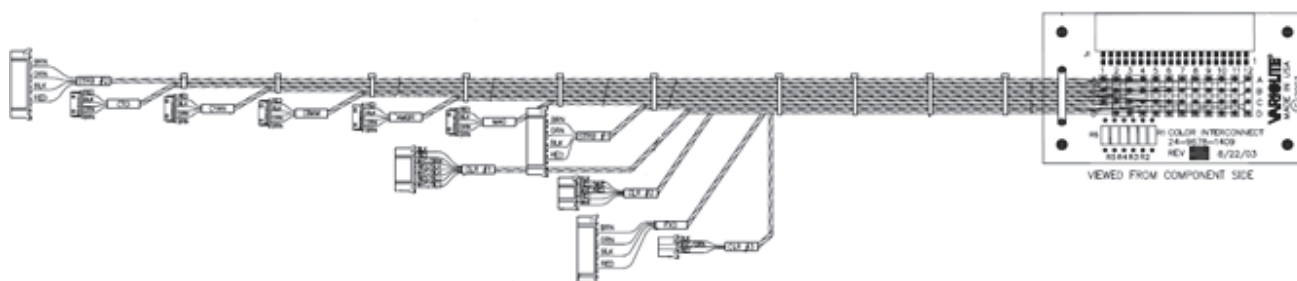


Figure 3-92: Color Interconnect Cable Assembly

Gobo Interconnect PCB/Cable Assembly

25.9678.2209 Rev 0

Refer to [Figure 3-93](#).

Must be ordered as an assembly.

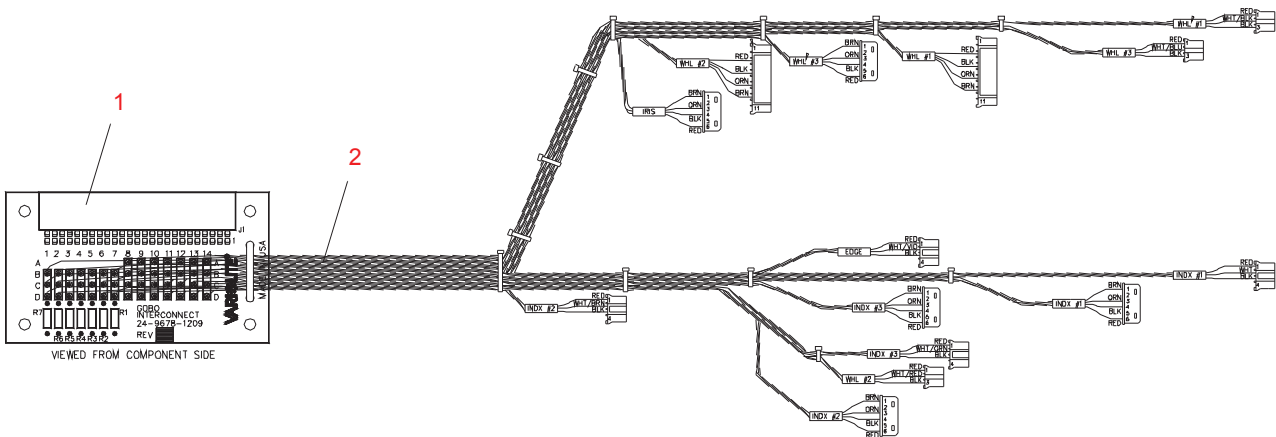


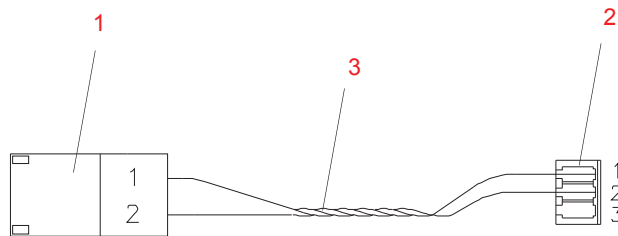
Figure 3-93: Gobo Interconnect PCB/Cable Assembly

Yoke Fan Cable Assembly

25.9678.0758 Rev A

Refer to [Figure 3-94](#)

No.	Item	Qty.	UM.	Description
1	52.6396.3102	1	EA	RECEPT, 2 POS MTA100 W/POL TAB BLUE CLSD END (changed 05-02-06)
2	52.6423.0003	1	EA	HOUSING, 3POS MT RECEPT, 2MM CT 28-26 AWG
3	73.5126.0002	0.50	FT	WIRE, 26AWG 2COND 300V 80C <BLK-RED> UL1061, 19STRND



WIRE CHART				
FROM	CONN ITEM NO.	TO	CONN ITEM NO.	WIRE COLOR
PIN 1	2	PIN 1	1	RED
PIN 2	2	PIN 2	1	BLK

Figure 3-94: Yoke Fan Cable Assembly

Yoke Fan Cable Assembly - VL3000Q

25.9678.0759 Rev A

Refer to Figure 3-94

No.	Item	Qty.	UM.	Description
1	52.6396.3102	1	EA	RECEPT, 2 POS MTA100 W/POL TAB BLUE CLSD END
2	52.6423.0003	1	EA	HOUSING, 3 POS MT RECEPT, 2MM CT 28-26 AWG
3	55.2186.0001	1	EA	CABLE TIE, .10 X 4" SMALL
4	55.2268.0125	1	EA	HEASTRINK, 1/8" CLEAR KYNAR UL 600V 150° C
5	60.7440.2002	1	EA	RESISTOR, 5W, 5% 200 OHM WIREWOUND
6	73.5126.0002	.5	FT	WIRE, 26AWG 2COND 300V 80C <BLK-RED> UL1061, 19STRND

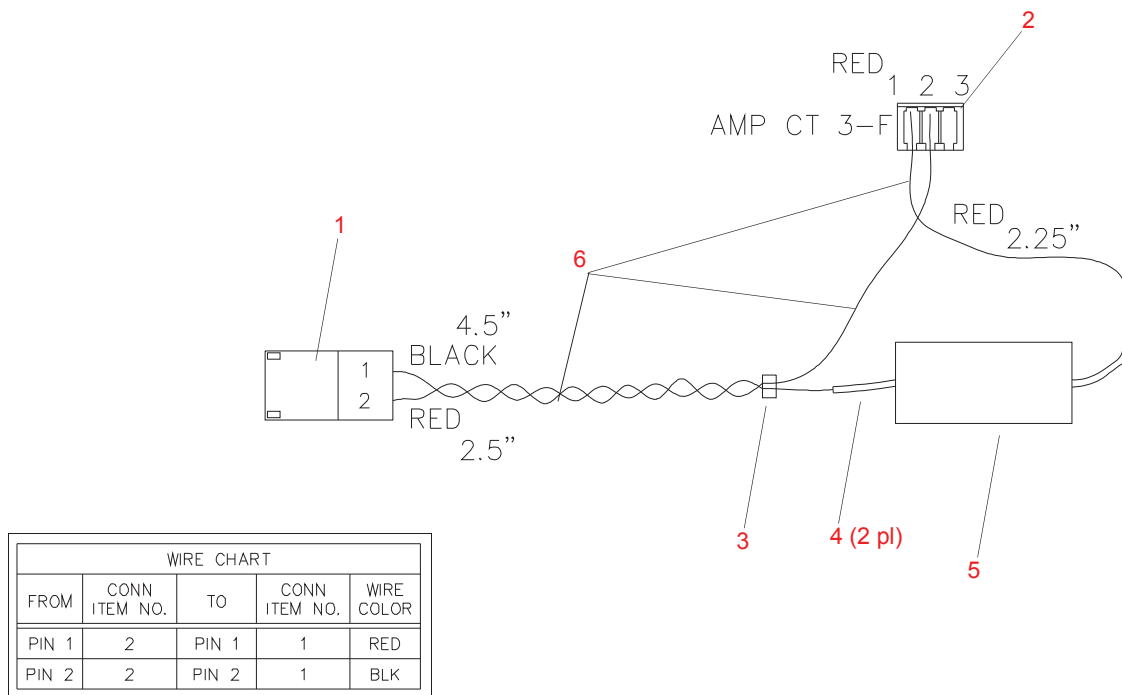


Figure 3-95: Yoke Fan Cable Assembly

EMI Filter to Power Switch Cable Assembly

25.9678.0811 Rev C

Refer to [Figure 3-96](#)

No.	Item	Qty.	UM.	Description
1	52.8313.0001	2	EA	RCPT, FASTON 1/4" 18-14 AWG FLAG DBL CRP (REEL)
2	52.8392.0001	2	EA	RECP, FASTON .187"X0.32" 16-14 AWG FLAG DBL CRP
3	55.2186.0001	1	EA	CABLE TIE, 0.10" WD 4.00" LG SMALL
4	73.6016.0009	0.83	FT	WIRE, 16AWG 600V 105C PVC WHT UL1015
5	73.6016.0010	0.83	FT	WIRE, 16AWG 600V 105C PVC BLK UL1015

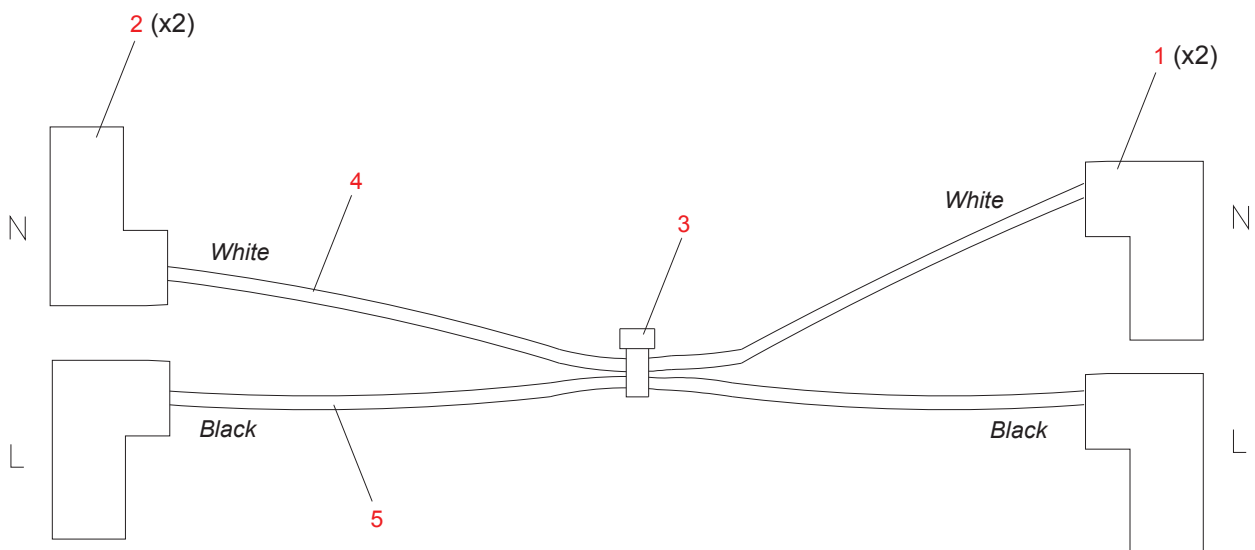


Figure 3-96: EMI Filter to Power Switch Cable Assembly

AC Input Splitter Cable Assembly

25.9678.0812 Rev E

Refer to [Figure 3-97](#)

No.	Item	Qty.	UM.	Description
1	52.6231.0001	1	EA	PLUG HOUSING, MNLOK PLUG 3POS
2	52.8231.0005	1	EA	TERM, RING #6 BLUE 16-14 AWG REEL PIDG
3	52.8231.0008	2	EA	TERM, SPADE #6 RED 22-16AWG INSERT
4	52.8392.0001	2	EA	RECP, FASTON 0.187"X0.32" 16-14 AWG FLAG DBL CRP
5	52.8270.0001	2	EA	CONTACT PIN, 20-14AWG MNLOK (REEL)
6	52.8314.0001	1	EA	PIN, GND 20-14AWG MNLOK .060"- .130"INS DIA
7	55.2186.0001	3	EA	CABLE TIE, 0.10" WD 4.00" LG SMALL
8	55.6699.0003	1.50	FT	SLEEVING, 1/2"NOM.DIA. POLY EXP BRAIDED
9	73.6016.0009	1.83	FT	WIRE, 16AWG 600V 105C PVC WHT UL1015
10	73.6016.0010	1.83	FT	WIRE, 16AWG 600V 105C PVC BLK UL1015
11	73.6016.0504	2.08	FT	WIRE, 16AWG 600V 105C PVC GRN/YEL UL1015
12	73.6018.0009	1.00	FT	WIRE, 18AWG 600V 105C PVC WHT UL1015
13	73.6018.0010	1.00	FT	WIRE, 18AWG 600V 105C PVC BLK UL1015

AC Input Splitter Cable Assembly (continued)

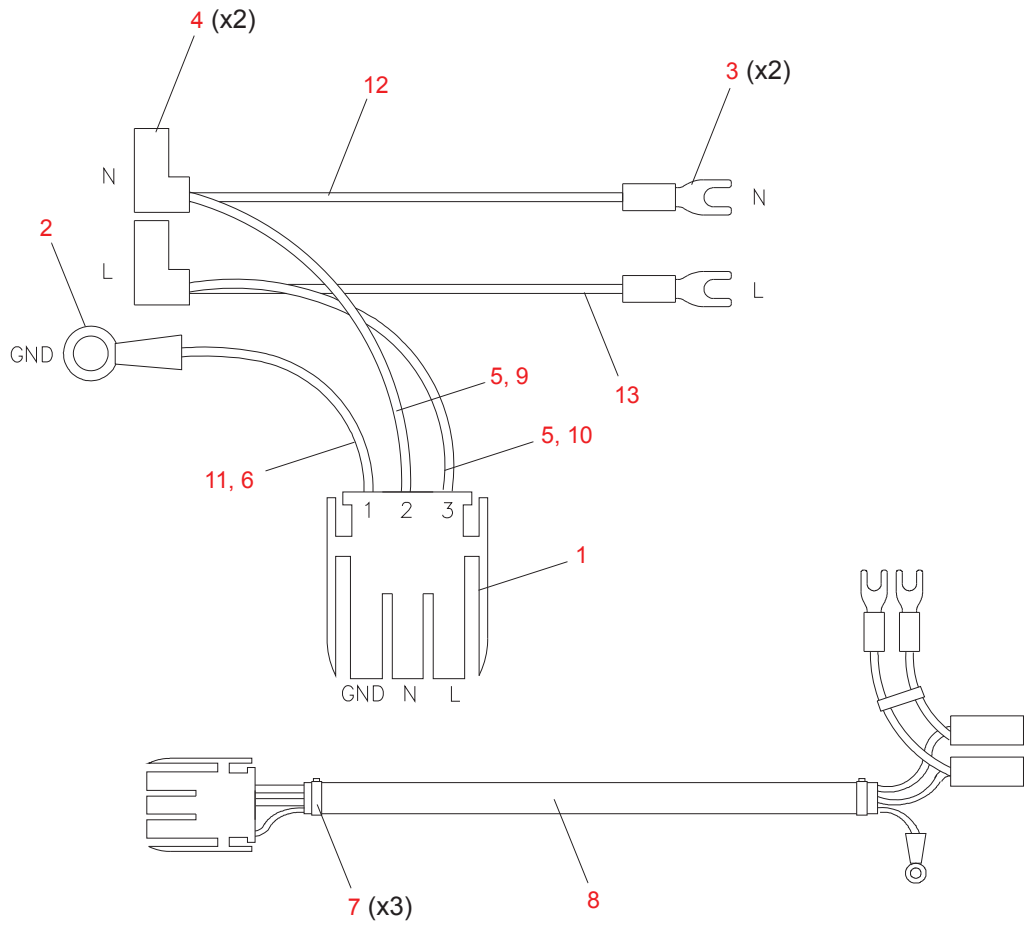


Figure 3-97: AC Input Splitter Cable Assembly

Data I/O Link Cable Assembly

25.9678.0813 Rev A

Refer to [Figure 3-98](#)

No.	Item	Qty.	UM.	Description
1	52.6396.2904	1	EA	RECEPT, 4 POS MTA100 W/POL TAB RED CLSD END (changed 05-03-06)
2	52.6396.2905	1	EA	RECEPT, 5 POS MTA100 W/POL TAB RED CLSD END (changed 05-03-06)
3	73.5122.0259	2.17	FT	CBL, 22AWG STRND 4COND PVC INSUL

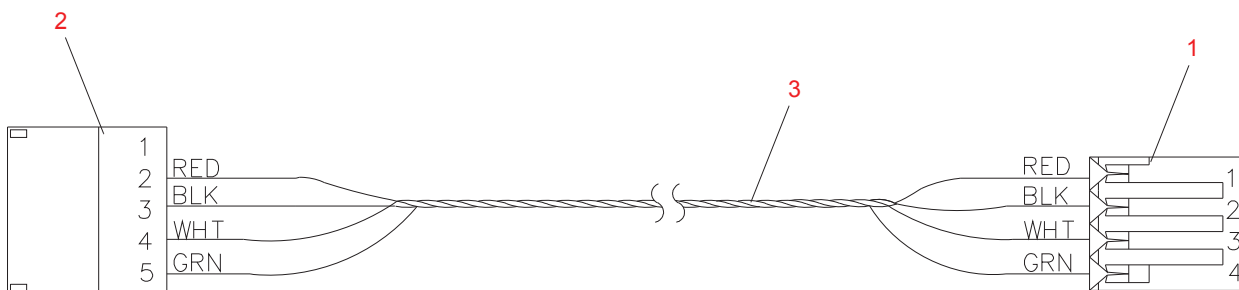


Figure 3-98: Data I/O Link Cable Assembly

Display Cable Assembly

25.9678.1825 Rev E

Refer to [Figure 3-99](#)

No.	Item	Qty.	UM.	Description
1	52.6396.2406	2	EA	RECEPT, 6 POS MTA100 W/POL TAB WHT CLSD END
2	55.2186.0001	4	EA	CABLE TIE, 0.10" WD 4" LG SMALL
3	55.6621.0001	1	EA	SLEEVE, NYLON THIN WALL #6 SCR 1.0" LG
4	55.6699.0009	0.208	FT	SLEEVING, 3/8" NOM DIA POLY EXP
5	73.5116.0123	1.02	FT	WIRE, 24AWG 4COND TW <BLK-BRN-RED-ORN>
6	73.6224.0005	0.208	FT	WIRE, 24 AWG 600V 200 DEG C TFE GRN
7	73.7130.0004	0.958	FT	WIRE, TUBULAR BRAID, 1/8" X 23" LG

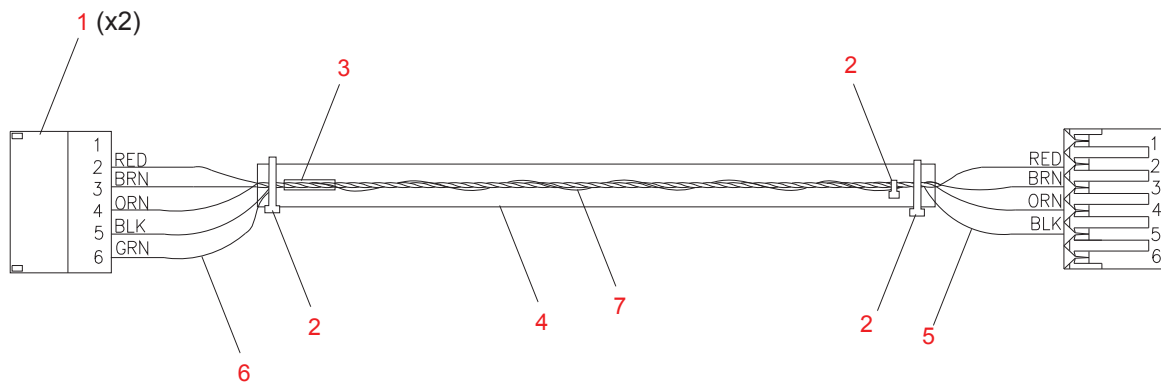


Figure 3-99: Display Cable Assembly

Ballast to Controller Cable Assembly

25.9678.0816 Rev A

Refer to [Figure 3-100](#)

No.	Item	Qty.	UM.	Description
1	52.6396.3002	1	EA	RECEPT, 2 POS MTA100 W/POL TAB WHT CLSD END (changed 05-03-06)
2	52.6396.3005	1	EA	RECEPT, 5 POS MTA100 W/POL TAB WHT CLSD END (changed 05-03-06)
3	52.6396.3008	1	EA	RECEPT, 8 POS MTA100 W/POL TAB WHT CLSD END (changed 05-03-06)
4	73.5124.1289	3.67	FT	WIRE, 24AWG 5COND <BLK-BRN-RED-GRN-WHT>

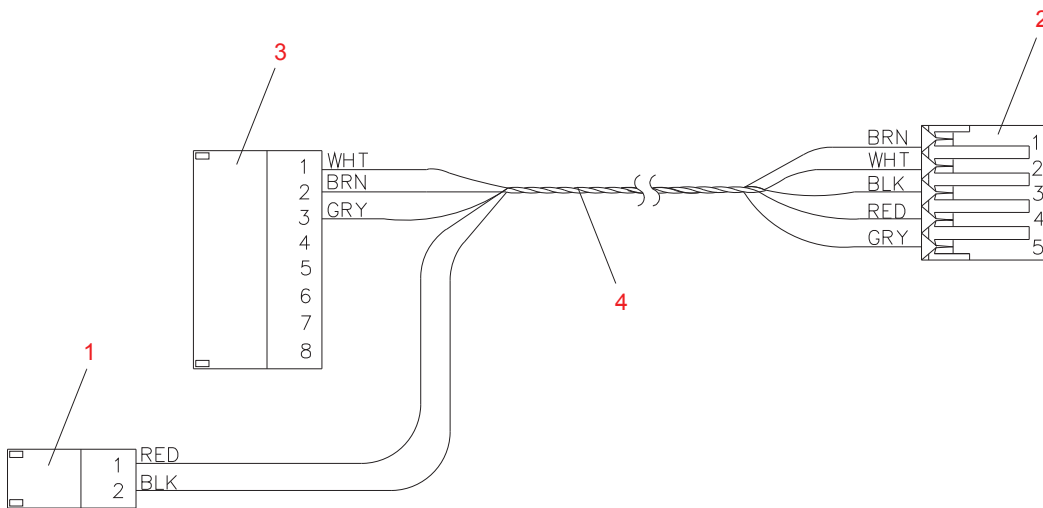


Figure 3-100: Ballast to Controller Cable Assembly

DC Output Cable Assembly

25.9678.0821 Rev E

Refer to [Figure 3-101](#)

No.	Item	Qty.	UM.	Description
1	52.6464.0002	1	EA	CONN, HOUSING, SL-156 2 POS
2	52.6464.0003	1	EA	CONN, HOUSING, SL-156 3 POS
3	52.8231.0004	2	EA	TERM, RING #6 BLUE 12-10 AWG INSRT (added 01-20-04)
4	52.8323.0002	4	EA	CONTACT, CRIMP, 18-22 AWG SL-156 (changed 05-03-06)
5	52.8274.1614	2	EA	CONN BUTT SPLICE 16-14 BLUE .150" OD MAX (added 01-20-04)
6	55.2186.0001	4	EA	CABLE TIE, 0.10" WD 4.00" LG SMALL
7	55.6699.0003	2.08	FT	SLEEVING, 1/2" NOM DIA POLY EXP BRAID
8	73.3518.0002	1.58	FT	WIRE, 18 AWG 300V 105C PVC RED
9	73.3518.0010	1.58	FT	WIRE, 18 AWG 300V 105C PVC BLK
10	73.7060.0001	2.08	FT	WIRE, 18 AWG HI VOLT RED YOKE LMP (changed 07-26-04)
11	73.7060.0002	2.08	FT	WIRE, 18 AWG HI VOLT BLK YOKE LMP (changed 07-26-04)

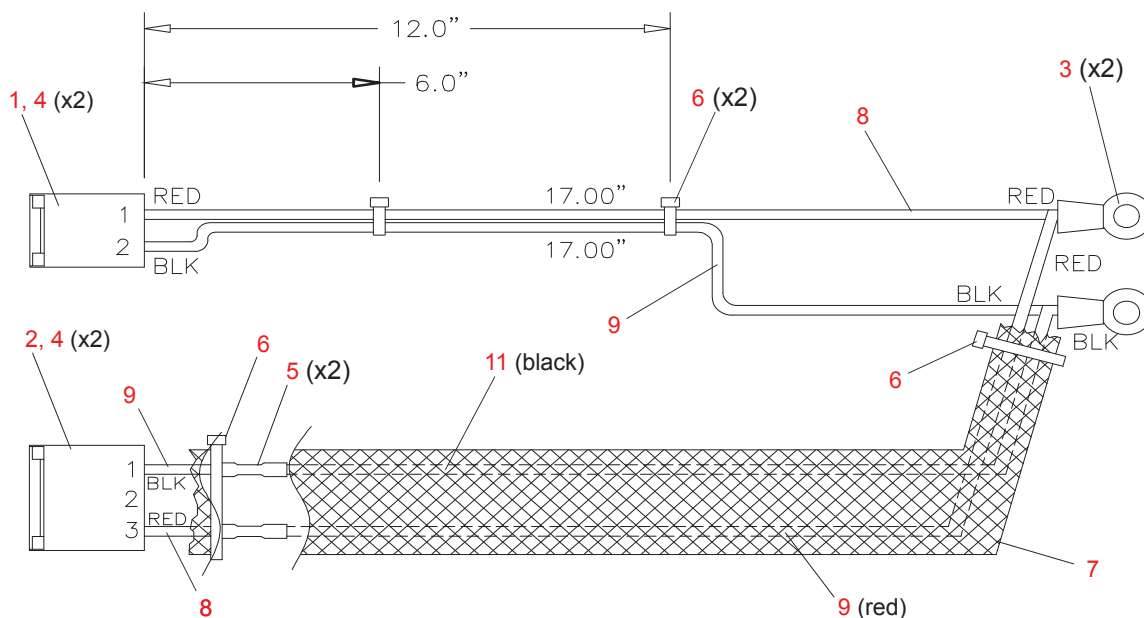


Figure 3-101: DC Output Cable Assembly

Pan/Tilt Control Cable Assembly

25.9678.0818 Rev B

Refer to [Figure 3-102](#)

No.	Item	Qty.	UM.	Description
1	52.6610.0008	1	EA	CONN, HOUSING, 20 POS DBL ROW UNLOADED (changed 05-03-06)
2	52.6224.1020	1	EA	COVER, FRONT 20 POS MT LATCHING
3	52.6224.2020	1	EA	COVER, BACK 20 POS MT
4	52.6524.0005	2	EA	CONN, HOUSING 5 POS RECEPTACLE
5	52.6588.0007	2	EA	HOUSING, 7 POS XH 250V/3A 2.5MM PITCH - USE SXH CONTACTS
6	52.7007.0001	6	EA	CONTACT, 28-22 AWG PHOSPHOR BRONZE TIN-PLT SXH
7	52.8346.0001	10	EA	CONTACT, 24-30 AWG FEMALE CRIMP
8	55.2186.0001	6	EA	CABLE TIE, 0.10" WD 4.00" LG SMALL
9	73.5119.0246	6.08	FT	WIRE, 24 AWG 3COND TW 600V 200C <RED-YEL-BLU>UL1213
10	73.5124.1289	6.17	FT	WIRE, 24 AWG 5COND 300V 80C (BLK-BRN-RED-GRY-WHT)
11	52.8351.0004	16	EA	CONTACT, 26-22 AWG RECP MTE (REEL) (added 05-03-06)

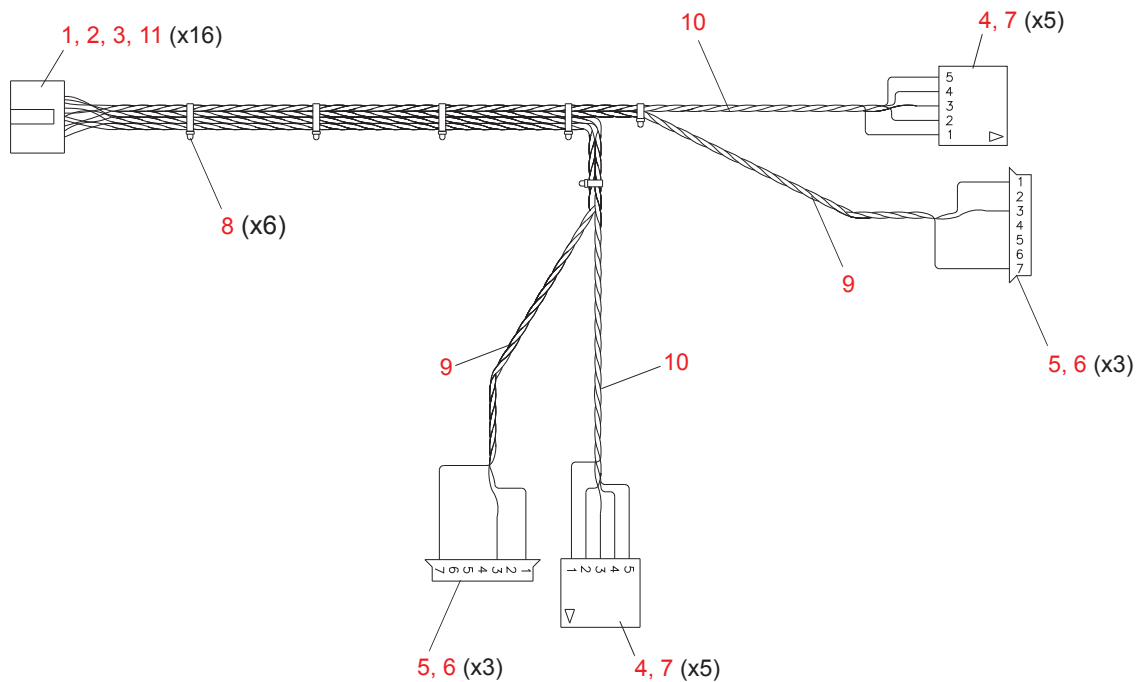


Figure 3-102: Pan/Tilt Control Cable Assembly

Lamp Supply to Relay Cable Assembly

25.9678.0829 Rev A

Refer to [Figure 3-103](#)

No.	Item	Qty.	UM.	Description
1	52.8245.0001	1	EA	TERM, RING #10 16 - 14 AWG REEL PIDG
2	52.8312.0001	4	EA	RECP, FASTON 1/4" 18-14 AWG INSULATED VO
3	55.2183.0001	0.33	FT	HEATSHRINK, 1/2" BLACK
4	55.2186.0001	3	EA	CABLE TIE, 0.10" WD 4.00" LG SMALL
5	55.6699.0003	3.19	FT	SLEEVING, 1/2" NOM. DIA POLY EXP BRAIDED
6	73.3516.0504	0.58	FT	WIRE, 16 AWG 300V 105 DEG C PVC GRN/YEL UL 1569
7	73.7089.0000	34.41	FT	WIRE, 22 AWG BLK 300V UL1180 TEFLON 19/34 STRANDED
8	73.7089.0009	34.41	FT	WIRE, 22 AWG WHT 300V UL1180 TEFLON 19/34 STRANDED
9	73.7130.0005	2.08	FT	WIRE, TUBULAR BRAID, 7/16"

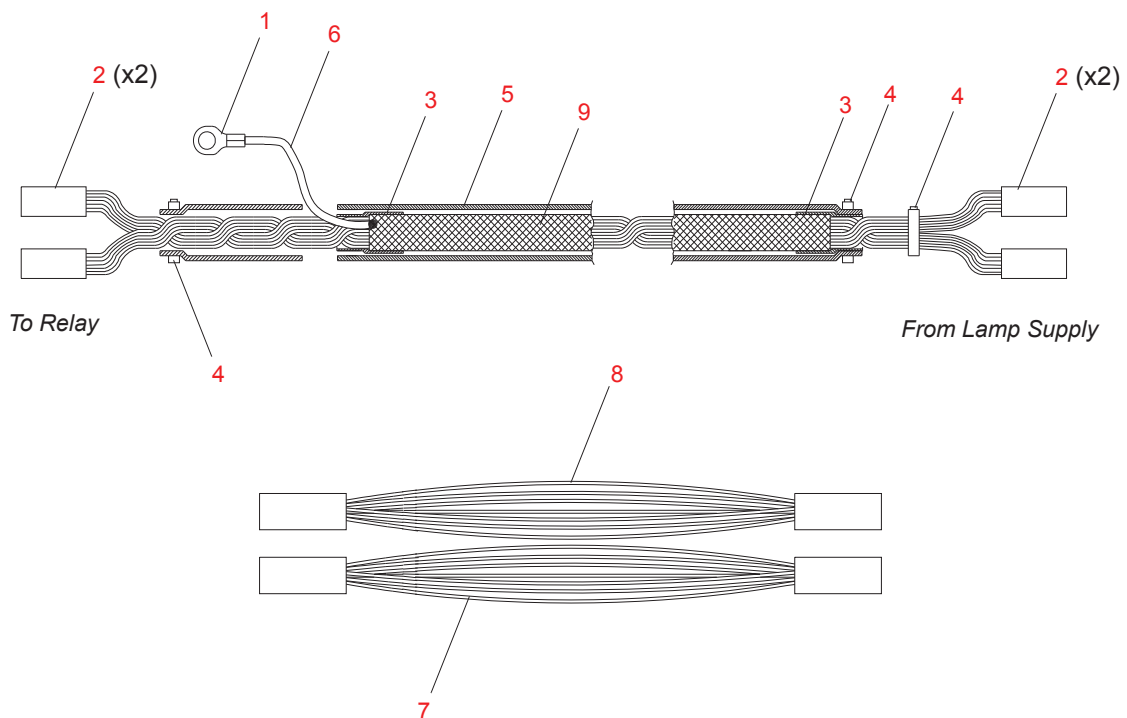


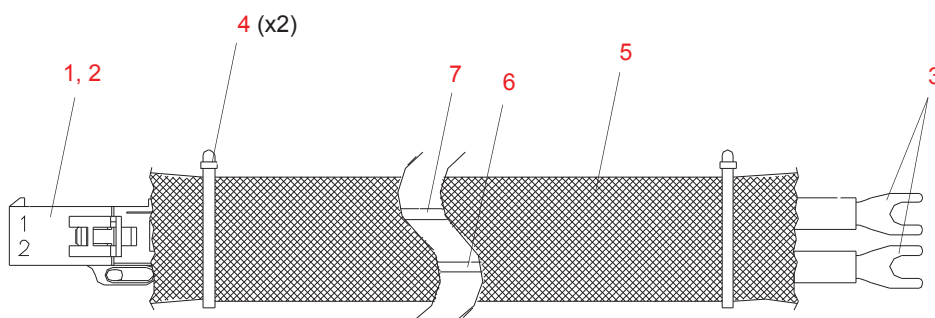
Figure 3-103: Lamp Supply to Relay Cable Assembly

LVS to Yoke AC Fan Cable Assembly

25.9678.0843 Rev A

Refer to [Figure 3-104](#)

No.	Item	Qty.	UM.	Description
1	52.6664.0001	2	EA	CONTACT, 22-26AWG FEMALE MATE-N-LOK 2
2	52.6664.0002	1	EA	CONN, HOUSING 2 POS CAP MATE-N-LOK 2
3	52.8231.0008	2	EA	TERM, SPADE #6 RED 22-16AWG INSERT
4	55.2186.0001	2	EA	CABLE TIE, 0.10" WD 4.00" LG SMALL
5	55.6699.0002	2.08	FT	SLEEVING, 1/4"NOM.DIA. POLY EXP BRAIDED
6	73.6222.0009	2.17	FT	WIRE, 22 AWG 600V 200C TFE WHT UL1199 19STRAND
7	73.6222.0010	2.17	FT	WIRE, 22 AWG 600V 200C TFE BLK UL1199



FROM	CONN ITEM NO.	TO	CONN ITEM NO.	WIRE COLOR
PIN 1	2	SPADE	3	BLK
PIN 2	2	SPADE	3	WHT

Figure 3-104: LVS to Yoke AC Fan Cable Assembly